

Tools Required: Flathead screwdriver, Phillips screwdriver, pliers, wire cutters, wire strippers, electrical tape, safety glasses.

Light Source: (5) A19 Medium Base Bulbs 100W Maximum or
(5) Medium Base Vintage bulbs are recommended but not supplied.

Estimated Assembly Time: 30-45 minutes

Preparation: Identify and inspect all parts before beginning installation. Check package content list and diagrams below to be sure all parts are present. If any parts are missing or damaged, do not attempt to assemble, install, or operate the fixture. Contact customer service for replacement parts.

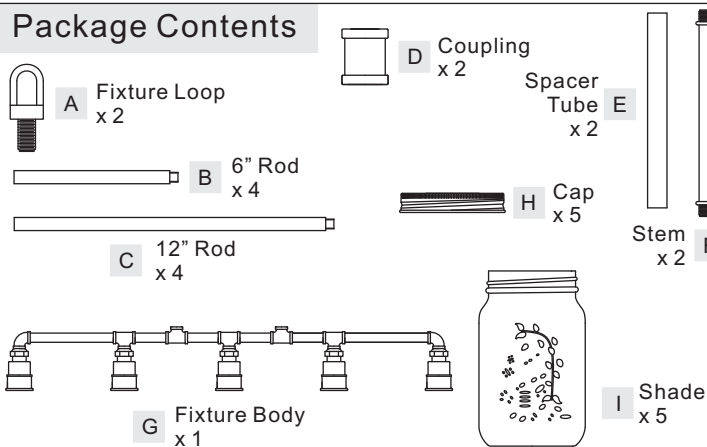
⚠ Warnings and Cautions

Turn off electricity at circuit breaker or main fuse box before installation. Consult a licensed electrician if in doubt.

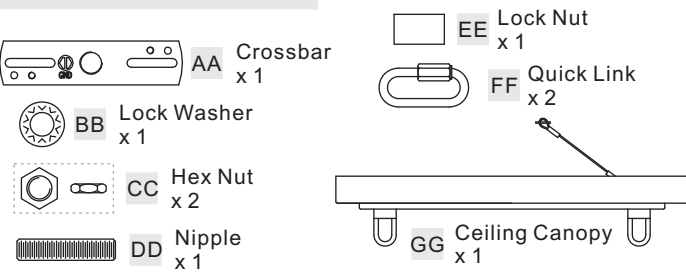
These instructions are provided for your safety. It is very important you read them completely before installing the fixture. We strongly recommend that a licensed, professional electrician perform the installation.

Disconnect fixture from power source before replacing bulbs. Make sure bulbs are given sufficient time to cool before removal.

Package Contents

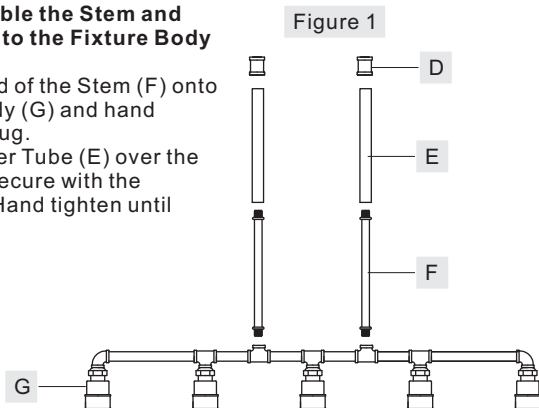


Hardware Contents



STEP 1 - Assemble the Stem and the Spacer Tube to the Fixture Body

- Thread one end of the Stem (F) onto the Fixture Body (G) and hand tighten until snug.
- Pass the Spacer Tube (E) over the Stem (F) and secure with the Coupling (D). Hand tighten until snug.



STEP 2 - Assemble the Rods and the Fixture Loop

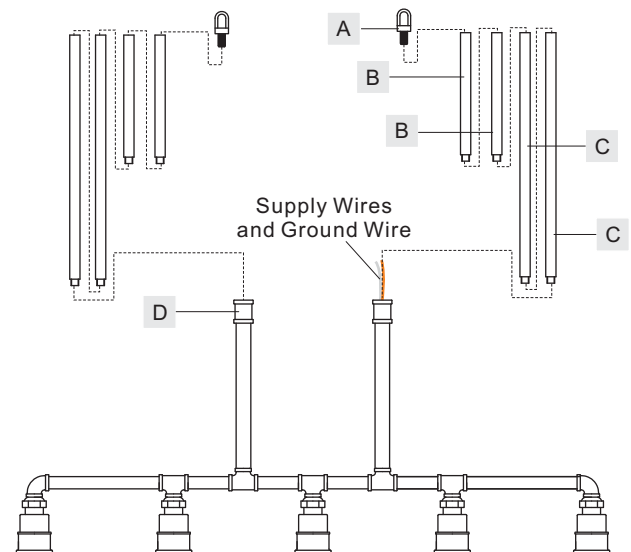
- Determine the Rods (B/C) to be assembled to the Couplings (D) on the top end of the Fixture Body (G) according to your hanging height.
- Pass the supply wires and ground wire through the chosen rods (B/C) and the Fixture Loop (A). Thread the Couplings (D) on the top end of the Fixture Body (G), the chosen Rods (B/C) and the Fixture Loop (A) together. Hand tighten until snug.

Suggested rods for Ceiling height :

8' ceiling: use (1) 12" rod

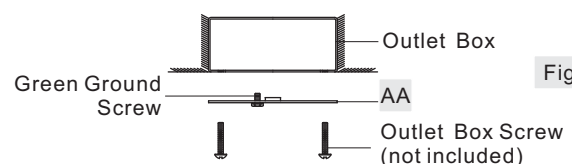
9' ceiling: use (2) 12" rods

10' ceiling: use (2) 6" rods and (2) 12" rods



STEP 3 - Install Crossbar

- Attach the Crossbar (AA) to the Outlet Box with the head of the Green Ground Screw facing you. Secure it with Outlet Box Screws (not included). Tighten until snug.



STEP 4 - Install Nipple to Crossbar

* Pliers is required for this step.

- Thread one Hex Nut (CC) to the middle of the Nipple (DD). Place the Lock Washer (BB) over the Nipple (DD) and then thread the Nipple (DD) into the Crossbar (AA) until the Nipple (DD) is about 0.375" above the Crossbar (AA).
- Place the Ceiling Canopy (GG) over the Nipple (DD) against the ceiling to determine the correct Position of the Nipple (DD). Thread the Lock Ball (FF) onto the Nipple (DD). Adjust the Nipple (DD) to allow the Ceiling Canopy (GG) to rest against the ceiling when held in place by the Lock Ball (FF).
- Remove the Ceiling Canopy (GG) and then tighten the Hex Nut (CC) against the Crossbar (AA) to secure in place.

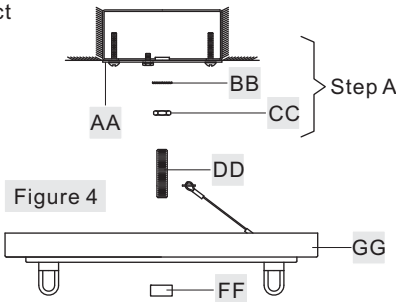


Figure 4

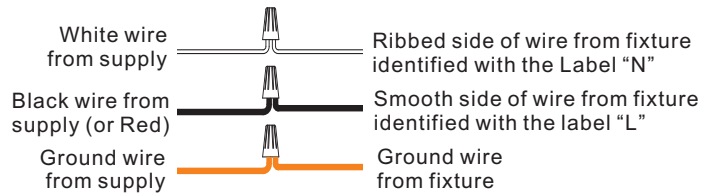


Figure 7

STEP 5 - Connect Fixture Loops to Ceiling Canopy

- Pass Supply Wires and Ground Wire through the Quick Link (FF) and the Ceiling Canopy (GG). Connect the Fixture Loops (A) to ceiling loops underside of the Ceiling Canopy (GG) by using Quick Links (FF).

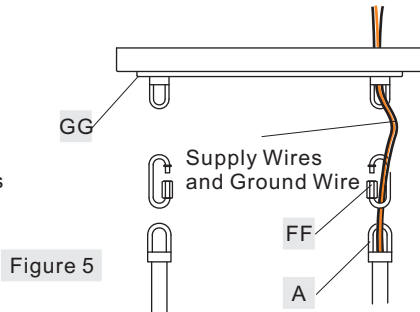


Figure 5

STEP 6 - Attach Lanyard

- The purpose of the lanyard is to provide the installer a means to support the fixture from the junction box while connecting the electrical wires. This enables the fixture to hang from the junction box and your hands are free to make the wire connections.
- Turn the Button Stop so it may be inserted into the Crossbar slot. Make sure the Button Stop is completely inside the Crossbar. Slowly release the fixture to make sure it is supported by the Button Stop. Proceed to the wiring steps in the next step. Once you are complete with the wiring there is nothing to do with Lanyard. The Lanyard will push into the junction box when the fixture is placed for final mounting.

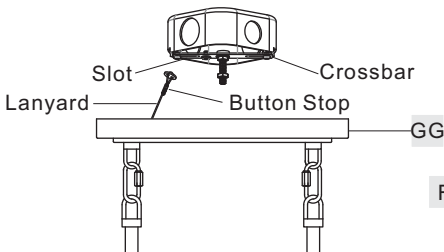


Figure 6

STEP 7 - Wire Connections

- Use standard wire connectors (not included) to make all wire connections. Twist connectors until wires are tightly joined together. Wrap each connection with approved electrical tape and carefully stuff all the connected wires into outlet box.

Note: If the electrical wire is going to be cut shorter than provided you will need to identify the "L" line wire and the "N" neutral wire before you cut the excess wire off. One is labeled N and the other labeled L. To do this separate the "L" line wire and the "N" neutral wire as far as you need to. Re-label the wire near where you want to make the cut. Be sure to mark the wire on the side of the fixture and not on the excess wire being cut and removed.

STEP 8 - Install Ceiling Canopy to Ceiling

- Attach the Ceiling Canopy (GG) over the end of the Nipple (DD) and secure with the Hex Nut (CC). Hand tighten until snug.
- Thread the Lock Nut (EE) onto the end of the Nipple (DD) and hand tighten until snug.

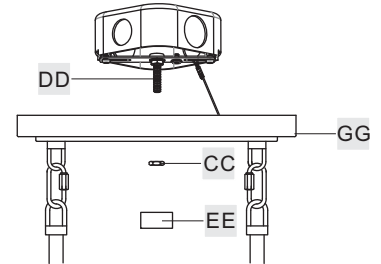


Figure 8

STEP 9 - Install Bulb

- Insert bulb onto socket and screw snugly into place.

Your fixture is now assembled and ready to use. Enjoy!

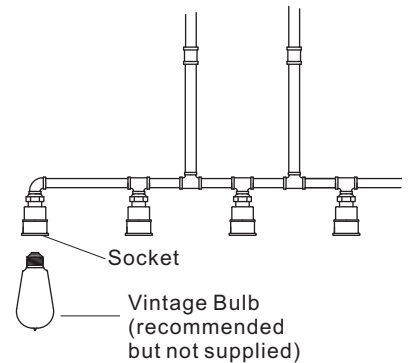


Figure 9

Installation Optional Shade

- Remove Socket Collar from Fixture Body (G).
- Place Cap (H) over the Socket, secure by threading Socket Collar onto Socket. Hand tighten until snug.
- Insert bulb onto socket and screw snugly into place.
- Place the Optional Shade (I) over the bulb and thread it onto the Cap (H) properly.

Your fixture is now assembled and ready to use. Enjoy!

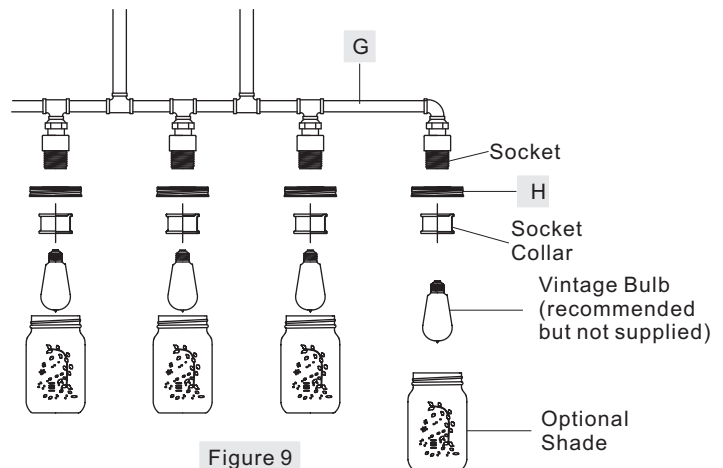


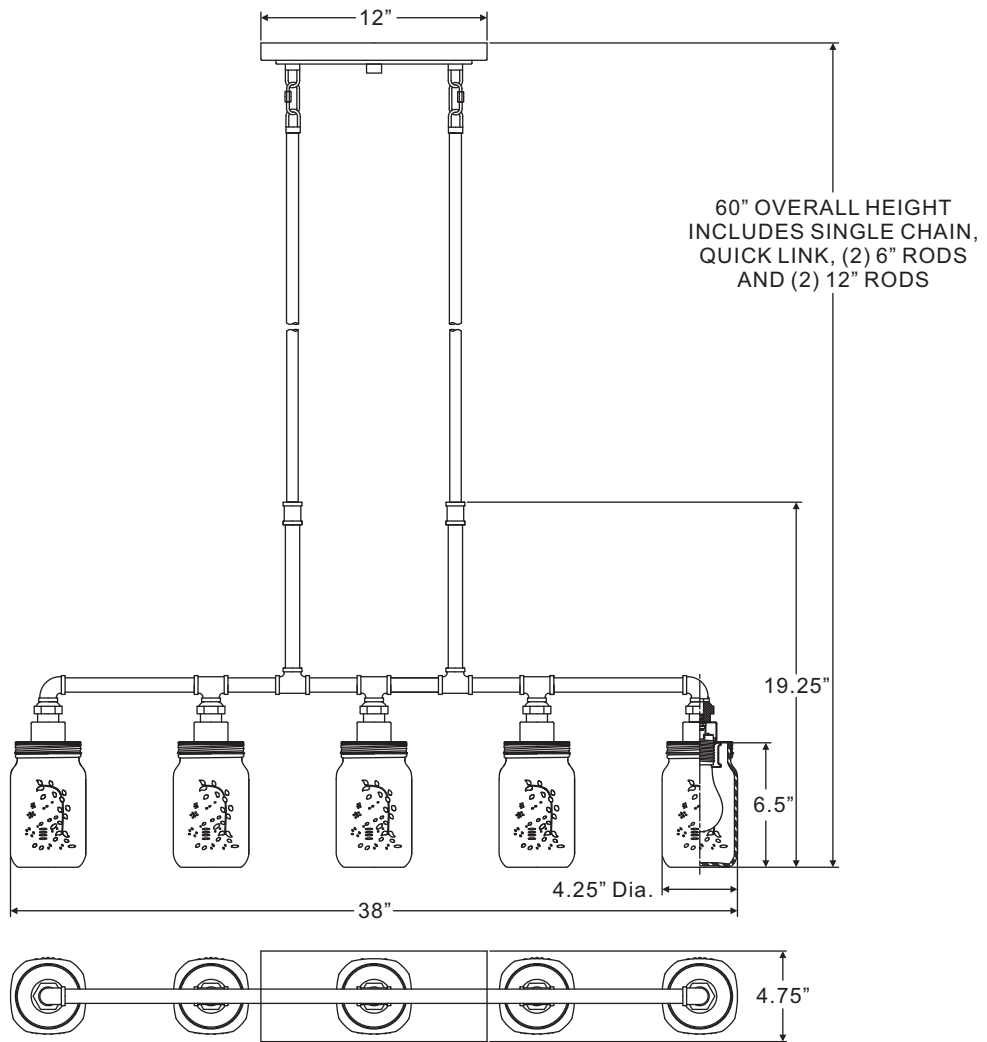
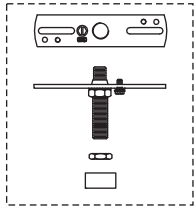
Figure 9

urban ambiance

www.urbanambiance.com

SKU: UQL2664

NOTE: ALL DIMENSIONS ARE ROUNDED UP TO THE NEAREST 1/4"



urban ambiance

www.urbanambiance.com