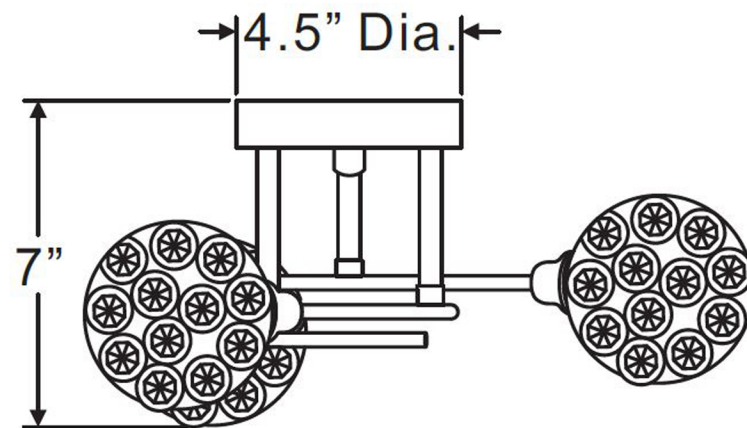
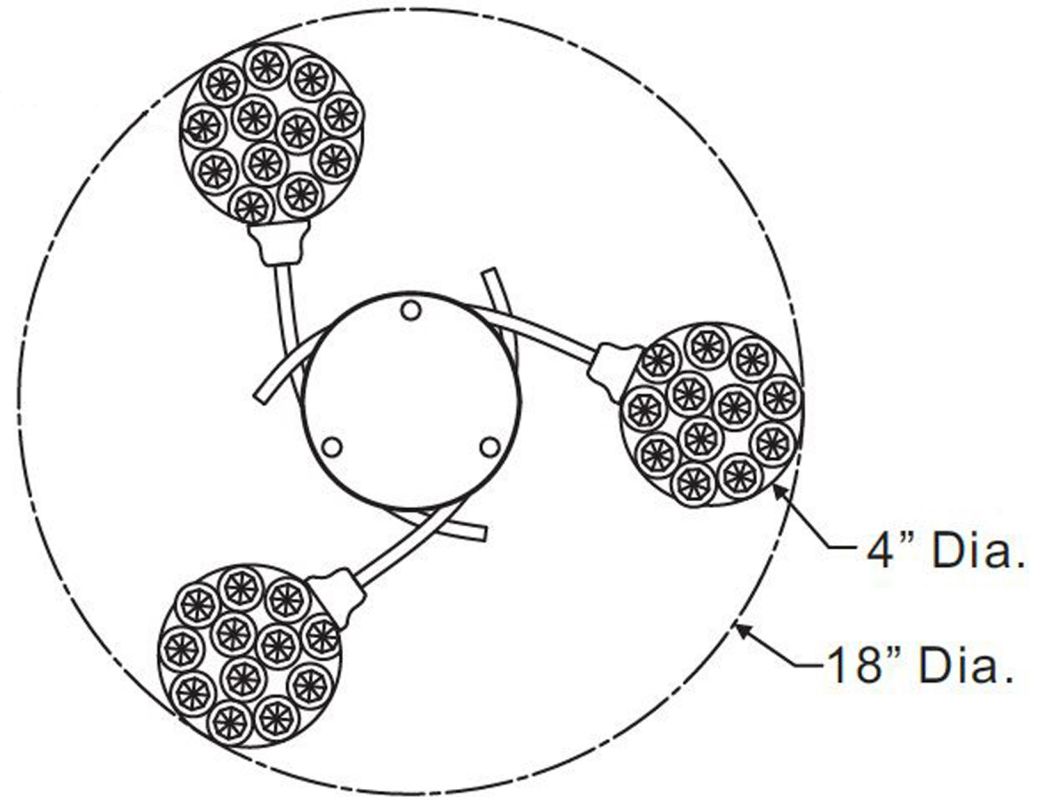


# urban ambiance

## UQL2633

### INTERIOR CEILING FIXTURE



<b>Collection</b>	Rome
<b>Finish</b>	Polished Chrome
<b>Shade</b>	Crystal Studded
<b>Bulb Type</b>	G9 Xenon or G9 LED
<b>Bulb Wattage</b>	40
<b>Number of Bulbs</b>	3
<b>Bulbs Included</b>	NO
<b>Certification</b>	ETL Listed
<b>Rated For</b>	Damp Locations
<b>Weight</b>	2.8 Pounds
<b>Chain Length</b>	N/A
<b>Extension Rods</b>	N/A
<b>Material Construction</b>	Metal-Glass