

Tools Required: Flathead screwdriver, Phillips screwdriver, pliers, wire cutters, wire strippers, electrical tape, safety glasses.

Light Source: (3) LED G9 4.5W Bulbs

Estimated Assembly Time: 20-30 minutes

Preparation: Identify and inspect all parts before beginning installation. Check package content list and diagrams below to be sure all parts are present. If any parts are missing or damaged, do not attempt to assemble, install, or operate the fixture. Contact customer service for replacement parts.

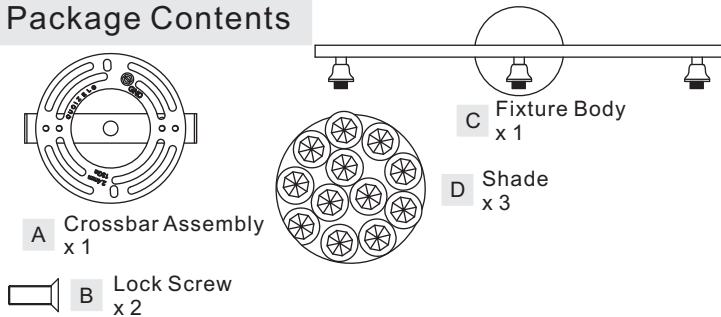
⚠ Warnings and Cautions

Turn off electricity at circuit breaker or main fuse box before installation. Consult a licensed electrician if in doubt.

These instructions are provided for your safety. It is very important you read them completely before installing the fixture. We strongly recommend that a licensed, professional electrician perform the installation.

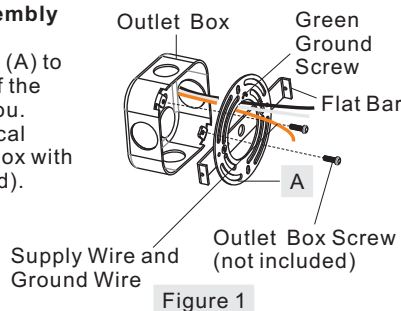
Disconnect fixture from power source before replacing bulbs. Make sure bulbs are given sufficient time to cool before removal. Do not subject glass parts to any shock while in operation or shattering may result.

Package Contents



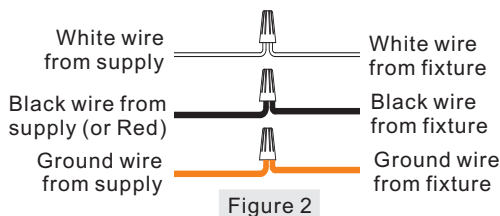
STEP 1 - Install Crossbar Assembly

A. Attach the Crossbar Assembly (A) to the Outlet Box with the head of the Green Ground Screw facing you. Make sure the Flat Bar is vertical before you tighten it to outlet box with outlet box screws (not included). Hand tighten until snug.



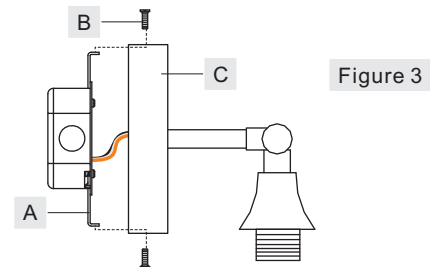
STEP 2 - Wire Connections

A. Use standard wire connectors (not included) to make all wire connections. Twist connectors until wires are tightly joined together. Wrap each connection with approved electrical tape and carefully stuff all the connected wires into the Outlet Box.



STEP 3 - Install Fixture Body

A. Place the backplate of the Fixture Body (C) over the outlet box and line up the hole on the side of the backplate to the mounting holes on the flat bar. Secure by threading Mounting Screw (B) into the mounting hole on the flat bar. Hand tighten until snug.



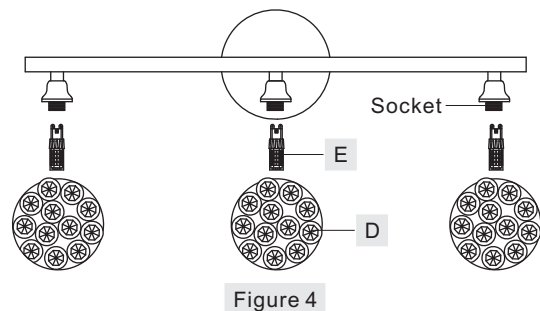
STEP 4 - Install Bulbs and Shades

A. Install the G9 bulbs as specified (not provided).

Note: This fixture is rated to use 40W maximum G9 Xenon bulbs. You may use a lower wattage G9 Xenon or if you purchased the LED model it is supplied with G9 LED bulbs.

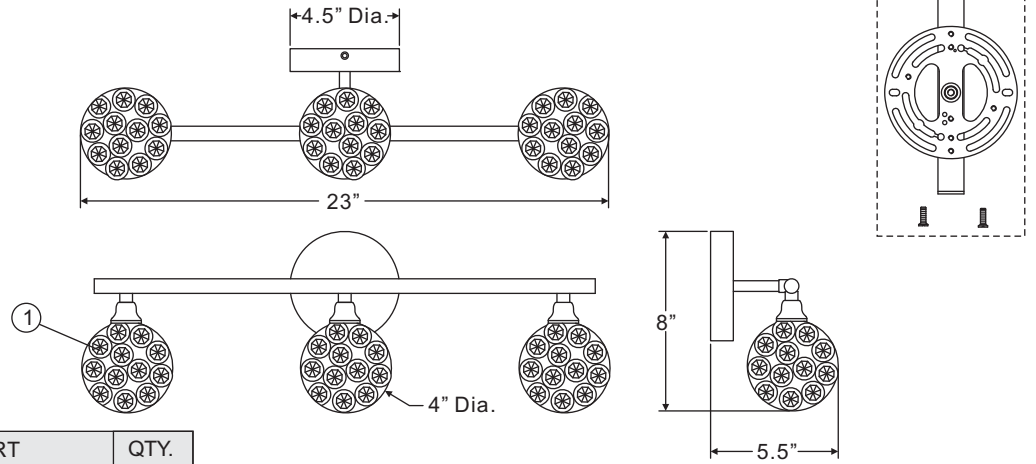
B. Thread Shade (D) onto the Socket and hand tighten until snug.

Your fixture is now assembled and ready to use. Enjoy!



SKU: UQL2631

NOTE: ALL DIMENSIONS ARE ROUNDED UP TO THE NEAREST 1/4"



NO.	PART NUMBER	REPLACEMENT PART	QTY.
1	UQL2631SH	CRYSTAL SHADE	3
2	UQL2631BU	BULB 4.5W LED G9 DIM WHITE	3

urban ambiance

www.urbanambiance.com