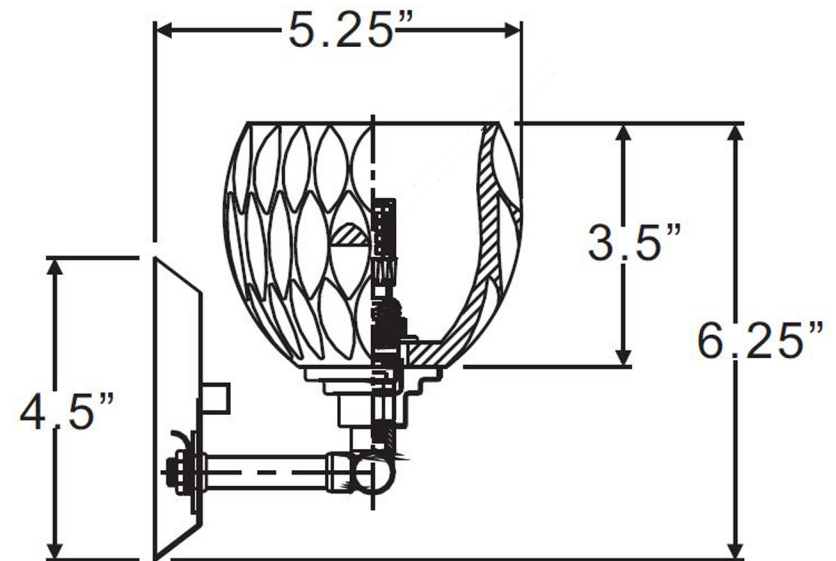
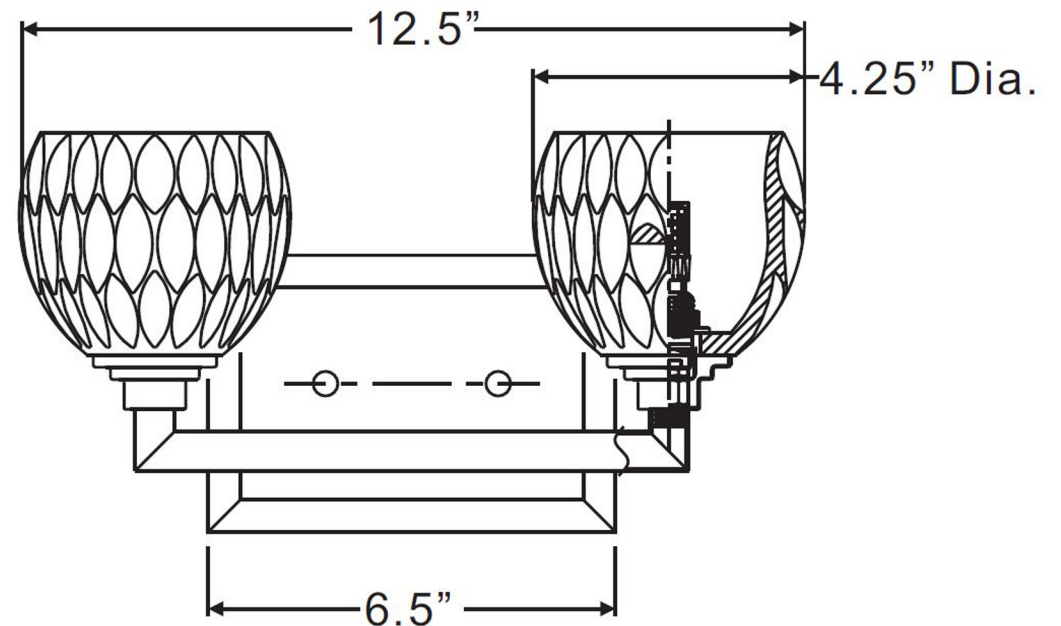


# urban ambiance

## UQL2620

INTERIOR BATHROOM FIXTURE



<b>Collection</b>	Naples
<b>Finish</b>	Brushed Nickel
<b>Shade</b>	Marquis Cut Glass
<b>Bulb Type</b>	Frosted G9
<b>Bulb Wattage</b>	60
<b>Number of Bulbs</b>	2
<b>Bulbs Included</b>	NO
<b>Certification</b>	ETL Listed
<b>Rated For</b>	Damp Locations
<b>Weight</b>	3.75 Pounds
<b>Chain Length</b>	N/A
<b>Extension Rods</b>	N/A
<b>Material Construction</b>	Steel