

Tools Required: Flathead screwdriver, Phillips screwdriver, pliers, wire cutters, wire strippers, electrical tape, safety glasses.

Light Source: (3) A19 Medium Base 100W Maximum, Alternate bulb (3) 23W CFL

Estimated Assembly Time: 20-30 minutes

Preparation: Identify and inspect all parts before beginning installation. Check package content list and diagrams below to be sure all parts are present. If any parts are missing or damaged, do not attempt to assemble, install, or operate the fixture. Contact customer service for replacement parts.

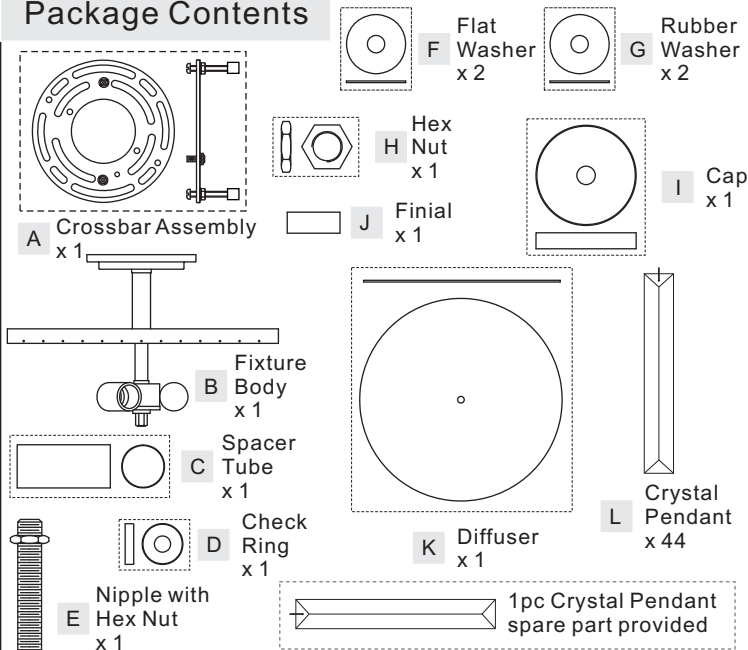
⚠ Warnings and Cautions

Turn off electricity at circuit breaker or main fuse box before installation. Consult a licensed electrician if in doubt.

These instructions are provided for your safety. It is very important you read them completely before installing the fixture. We strongly recommend that a licensed, professional electrician perform the installation.

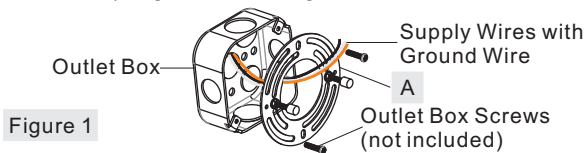
Disconnect fixture from power source before replacing bulbs. Make sure bulbs are given sufficient time to cool before removal. Do not subject glass parts to any shock while in operation or shattering may result.

Package Contents



STEP 1 - Install Crossbar Assembly

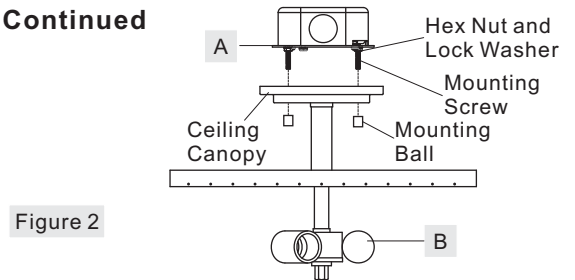
A. Pass the supply wires through the Crossbar Assembly (A). Attach the Crossbar Assembly (A) to the Outlet Box with the head of the Green Ground Screw facing you. Secure it with Outlet Box Screws (not included). Tighten until snug.



STEP 2 - Fit Ceiling Canopy to Crossbar Assembly

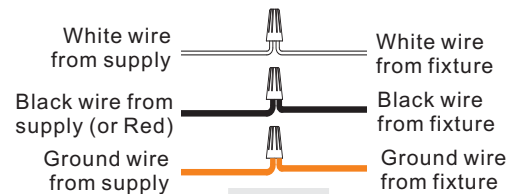
A. Remove mounting balls from the Crossbar Assembly (AA). Fit the Ceiling Canopy to the Crossbar Assembly (AA) and secure with mounting balls. Note: The Ceiling Canopy should be snug against the ceiling and the mounting balls. If Not, adjust the length of the nipple on the Crossbar Assembly (AA) By unscrewing the preassembled hex nut and lock washer and then screwing the Mounting screws in or out of the crossbar until the correct length is Achieved. Once the Ceiling Canopy is secure, remove the mounting ball and Ceiling Canopy and proceed to Step 3.

Step 2 Continued



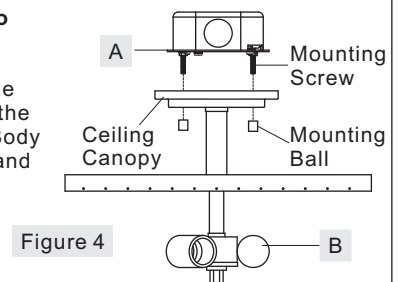
STEP 3 - Wire Connections

A. Use standard wire connectors (not included) to make all wire connections. (Connectors are not included with fixture.) Twist connectors until wires are tightly joined together. Wrap each connection with approved electrical tape and carefully stuff all the connected wires into the Outlet Box.



STEP 4 - Attach Fixture Body to Mounting Screw

A. Remove Mounting Balls from the Crossbar Assembly (A). Place the Ceiling Canopy of the Fixture Body (B) over the Mounting Screws and secure with removed Mounting Balls. Hand tighten until snug.



STEP 5 - Install Bulbs, Diffuser and Crystal Pendants

A. Thread the hex nut end of the Nipple with Hex Nut (E) into the hex coupling on the bottom center of the Fixture Body (B). By using pliers, thread the hex nut against the hex coupling and hand tighten until snug.
 B. Pass the Spacer Tube (C), the Check Ring (D), Flat Washers (F), Rubber Washers (G) and Diffuser (K) over the end of the Nipple (E) as shown. Secure by threading the Hex Nut (H) onto the Nipple (E). Tighten until snug. Note: the Sandblast side of Diffuser should up.

Step 5 Continued

- C. Pass the Cap (I) over the end of the Nipple (E) and secure with the Finial (J).
- D. Attach Crystal Pendants (L) to the Ring.
- E. This fixture uses standard bulbs with standard screw base. Maximum 100 watts. Insert bulb and screw snugly into place.

Your fixture is now assembled and ready to use. Enjoy!

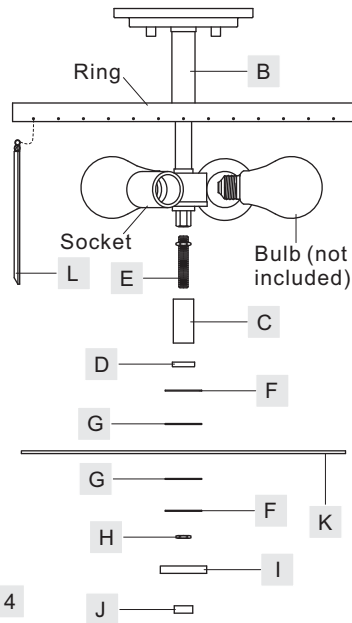
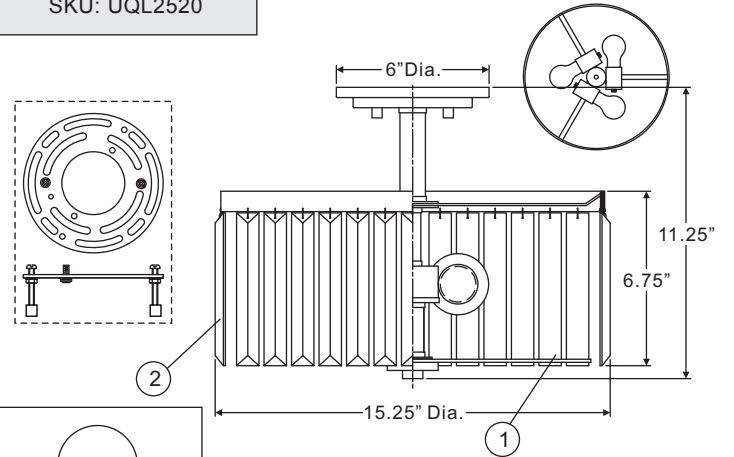
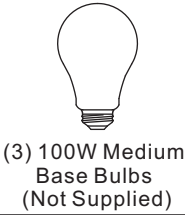


Figure 4

SKU: UQL2520



NOTE: ALL DIMENSIONS ARE ROUNDED UP TO THE NEAREST 1/4"



NO.	PART NUMBER	REPLACEMENT PART	REQ.
1	UQL2520DI	DIFFUSER	1
2	UQL2520CR	CRYSTAL	44