

Tools Required: Flathead screwdriver, Phillips screwdriver, pliers, wire cutters, wire strippers, electrical tape, safety glasses.

Light Source: (5) LED G9 4.5W Bulbs

Estimated Assembly Time: 20-30 minutes

Preparation: Identify and inspect all parts before beginning installation. Check package content list and diagrams below to be sure all parts are present. If any parts are missing or damaged, do not attempt to assemble, install, or operate the fixture. Contact customer service for replacement parts.

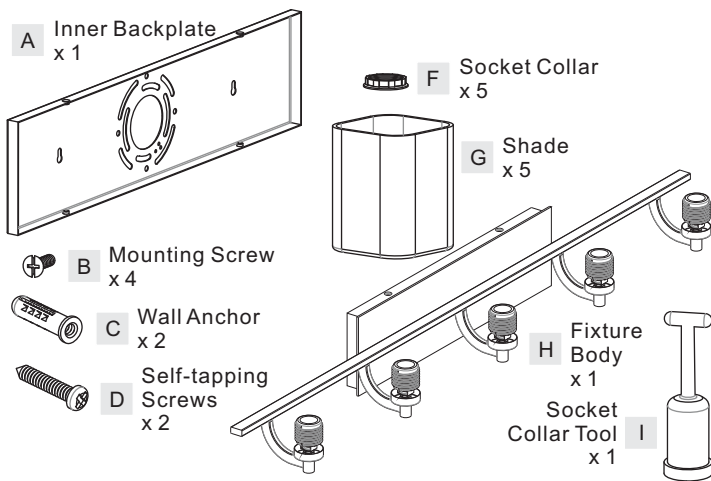
⚠ Warnings and Cautions

Turn off electricity at circuit breaker or main fuse box before installation. Consult a licensed electrician if in doubt.

These instructions are provided for your safety. It is very important you read them completely before installing the fixture. We strongly recommend that a licensed, professional electrician perform the installation.

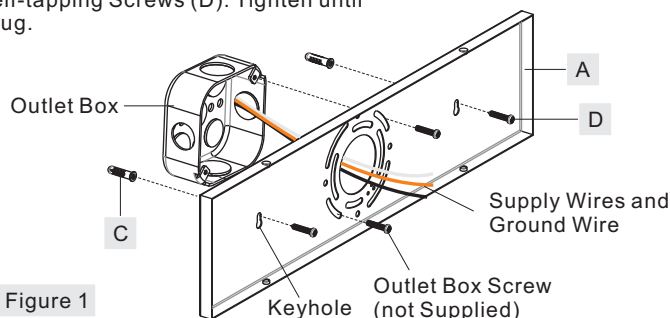
Disconnect fixture from power source before replacing bulbs. Make sure bulbs are given sufficient time to cool before removal. Do not subject glass parts to any shock while in operation or shattering may result.

Package Contents



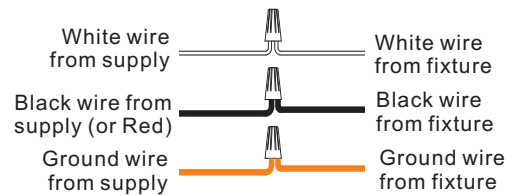
STEP 1 - Attach Inner Backplate to Outlet Box

- Attach the Inner Backplate (A) onto your desired location and align one set of holes on the Inner Backplate (A) to the mounting holes on the Outlet Box. Using a pencil, make (2) marks on the wall from (2) keyholes on the Inner Backplate (A).
- Remove the Inner Backplate (A). Drill proper holes from the marks on the wall for Wall Anchors (C).
- Insert Wall Anchors (C) into drilled holes on the wall. Attach the Inner Backplate (A) back onto the outlet box and secure the with outlet box screws (not supplied) and Self-tapping Screws (D). Tighten until snug.



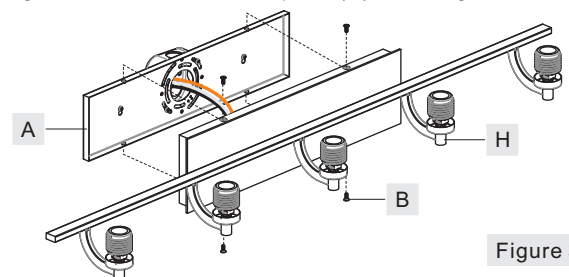
STEP 2 - Wire Connections

- Use standard wire connectors (not included) to make all wire connections. Twist connectors until wires are tightly joined together. Wrap each connection with approved electrical tape and carefully stuff all the connected wires into the Outlet Box.



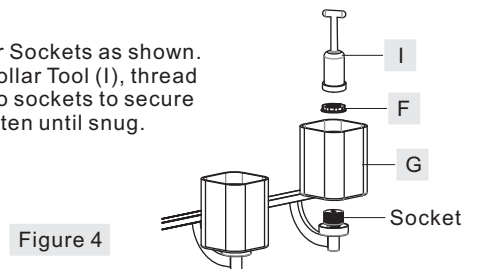
STEP 3 - Install Fixture Body

- Place the backplate of the Fixture Body (H) onto the Inner Backplate (A). Line up holes on the top and bottom of the backplate and the mounting holes on the top and bottom of the Inner Backplate (A). Secure them together by threading Mounting Screws (B) into the mounting holes on the Inner Backplate (A). Hand tighten until snug.



STEP 4 - Install Shade

- Place Shades (G) over Sockets as shown. By using the Socket Collar Tool (I), thread Socket Collars (F) onto sockets to secure Shades (G). Hand tighten until snug.



STEP 5 - Install Bulb

A. Install the G9 bulbs as specified (not provided).

Note: This fixture is rated to use 50W maximum G9 Xenon bulbs. You may use a lower wattage G9 Xenon or if you purchased the LED model it is supplied with G9 LED bulbs.

Your fixture is now assembled and ready to use. Enjoy!

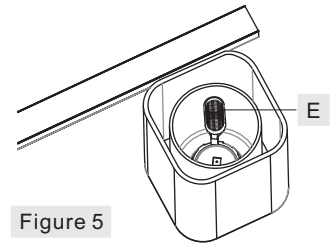
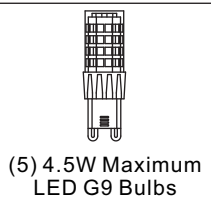
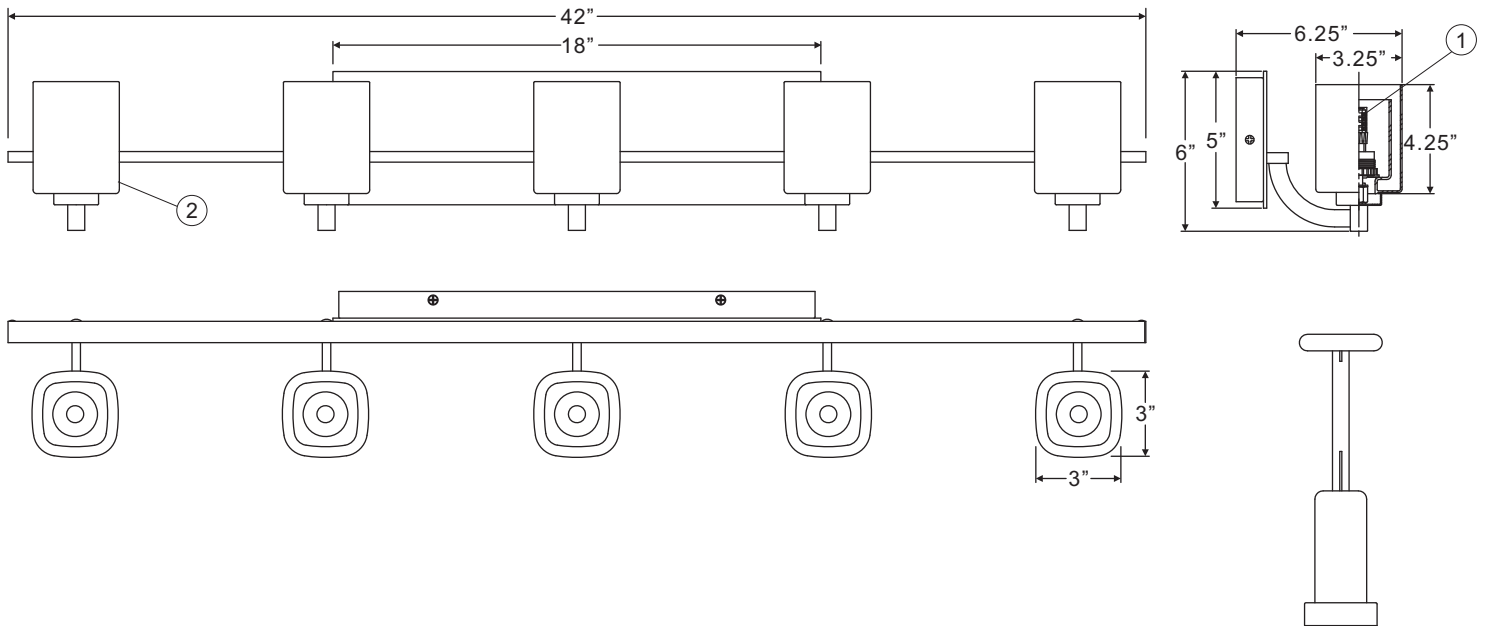
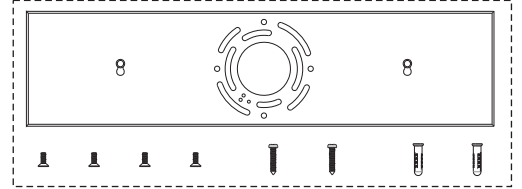


Figure 5

SKU: UQL2406



(5) 4.5W Maximum LED G9 Bulbs

NOTE: ALL DIMENSIONS ARE ROUNDED UP TO THE NEAREST 1/4"

| NO. | PART NUMBER | REPLACEMENT PART DESCRIPTION | QTY. |
|-----|-------------|------------------------------|------|
| 1 | UQL2406LED | BULB 4.5W LED G9 DIM WHITE | 5 |
| 2 | UQL2406SH | SHADE | 5 |

urban ambiance

www.urbanambiance.com