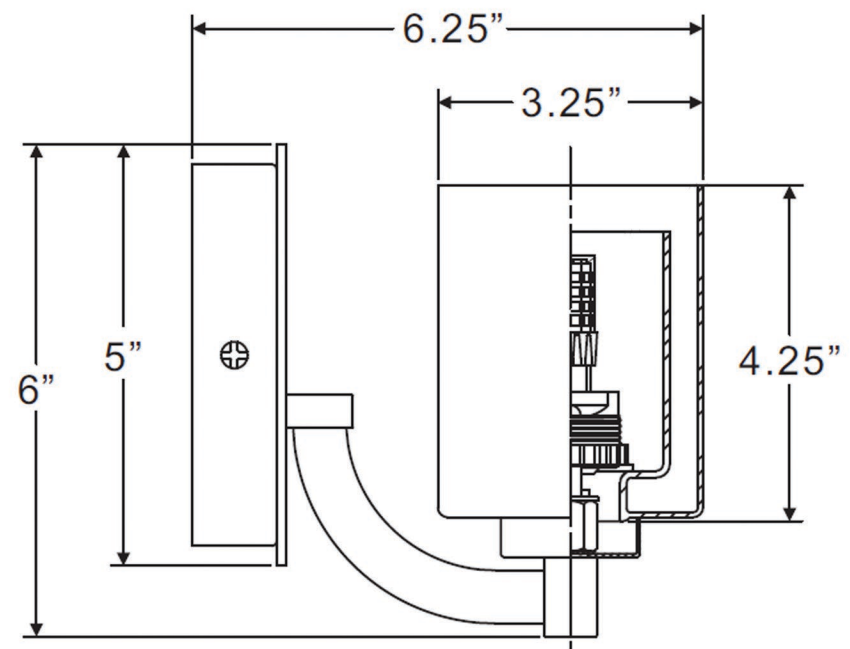
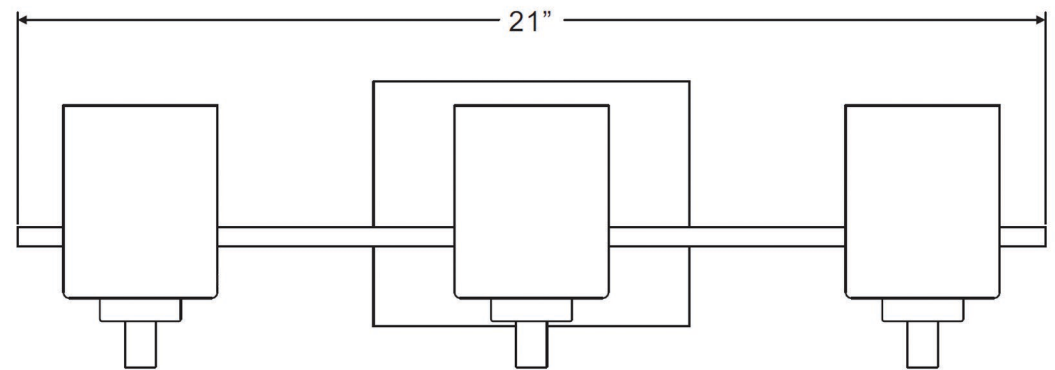


urban ambiance

UQL2403

INTERIOR BATHROOM FIXTURE



Collection	Napa
Finish	Brushed Nickel
Shade	Sand Blasted and Clear Glass
Bulb Type	Frosted G9 LED
Bulb Wattage	50
Number of Bulbs	3
Bulbs Included	Yes
Certification	ETL Listed
Rated For	Damp Locations
Weight	4.3 Pounds
Chain Length	N/A
Extension Rods	N/A
Material Construction	Steel-Glass