

Tools Required: Flathead screwdriver, Phillips screwdriver, pliers, wire cutters, wire strippers, electrical tape, safety glasses.

Light Source: (3) Medium Base 100W bulbs Maximum, Alternate bulb (3) 23W CFL Maximum.

Estimated Assembly Time: 30-45 minutes

Preparation: Identify and inspect all parts before beginning installation. Check package content list and diagrams below to be sure all parts are present. If any parts are missing or damaged, do not attempt to assemble, install, or operate the fixture. Contact customer service for replacement parts.

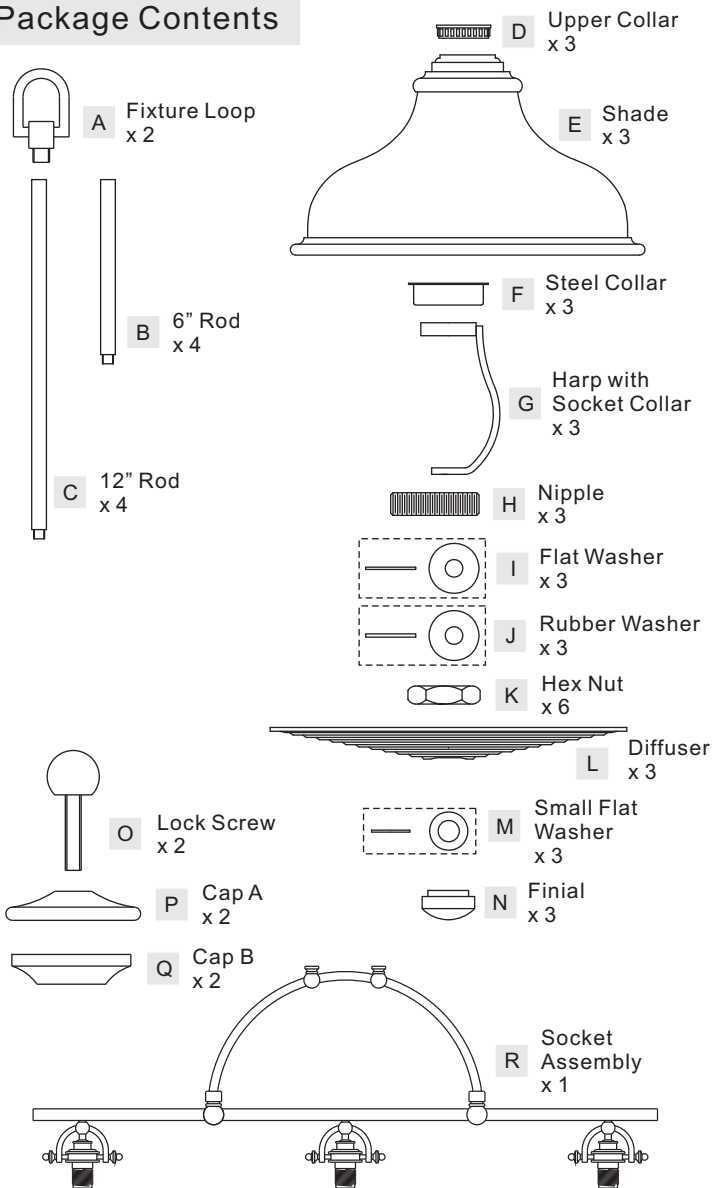
⚠ Warnings and Cautions

Turn off electricity at circuit breaker or main fuse box before installation. Consult a licensed electrician if in doubt.

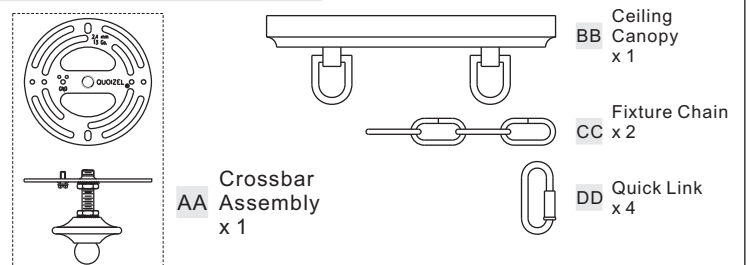
These instructions are provided for your safety. It is very important you read them completely before installing the fixture. We strongly recommend that a licensed, professional electrician perform the installation.

Disconnect fixture from power source before replacing bulbs. Make sure bulbs are given sufficient time to cool before removal. Do not subject glass parts to any shock while in operation or shattering may result.

Package Contents



Hardware Contents



STEP 1 - Attach Caps to Socket Assembly

A. Attach the Caps (P/Q) to the ends of the Socket Assembly (R) and secure with the Lock Screws (O). Hand tighten until snug.

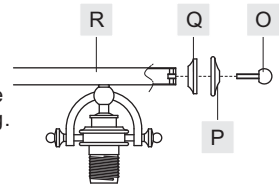
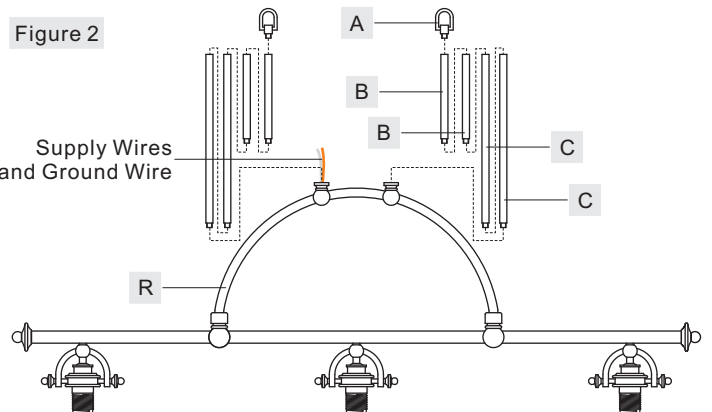


Figure 1

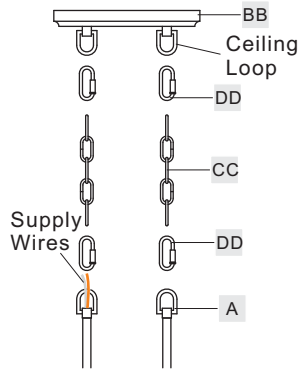
STEP 2 - Assemble the Rods and the Fixture Loop

A. Determine the Rods (B/C) to be assembled to the Socket Assembly (R) according to your hanging height.
 B. Pass the supply wires and ground wire through the chosen rods (B/C) and the Fixture Loop (A). Thread the Socket Assembly (R), the chosen Rods (B/C) and the Fixture Loop (A) together. Hand tighten until snug.



STEP 3 - Install Fixture Chains

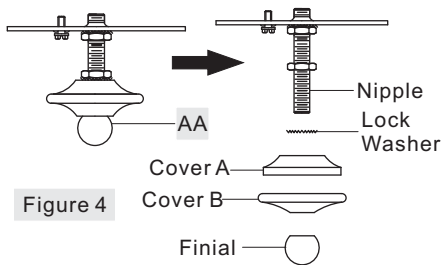
- A. Adjust the Fixture Chain (CC) to your desired length by removing the links if needed.
 * Pliers is required for this step.
- B. With the Fixture Chain (CC) not attached to the Fixture Loop (A) and the Canopy Chain Loop, pull the supply wires through the Fixture Chain (CC) alternating links. After the wires are through the Fixture Chain (CC), pull the Supply Wires and the Ground Wire through the Ceiling Canopy (BB).
- C. Attach one ends of the Fixture Chains (CC) to the Fixture Loop (A) with two Quick Links (DD) as shown. Lift the fixture and Fixture Chains (CC) up and attach the other ends of the Fixture Chains (CC) onto the Canopy Chain Loop underside of the Ceiling Canopy (BB) with the rest two Quick Links (DD).



Suggested rods and chain length for Ceiling height :
 8' ceiling : use (1)6" rod and 2 quick links
 9' ceiling : use (1)12" rod, 5 links of chain and 2 quick links
 10' ceiling : use (2)12" rods, 5 links of chain and 2 quick links

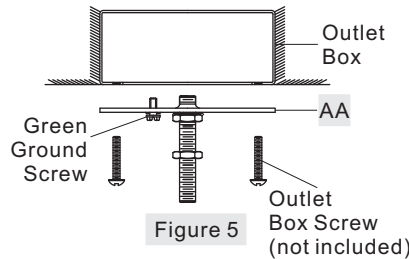
STEP 4 - Separate parts from Crossbar Assembly

- A. Remove the Finial, the Covers, and the Lock Washer from the Crossbar Assembly (AA).



STEP 5 - Install Crossbar

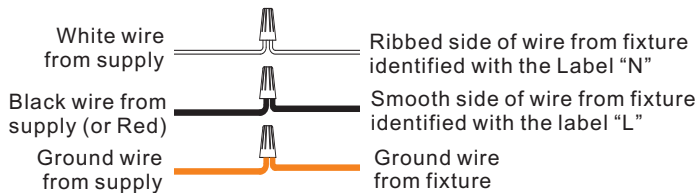
- A. Attach the Crossbar (AA) to the Outlet Box with the head of the Green Ground Screw facing you. Secure it with Outlet Box Screws (not included). Tighten until snug.



STEP 6 - Wire Connections

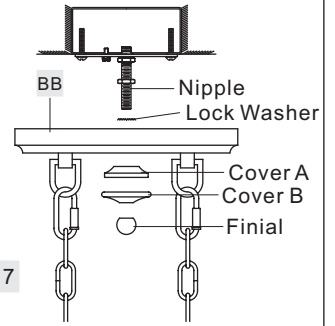
- A. Use standard wire connectors (not included) to make all wire connections. (Connectors are not included with fixture.) Twist connectors until wires are tightly joined together. Wrap each connection with approved electrical tape and carefully stuff all the connected wires into outlet box.

Note: If the electrical wire is going to be cut shorter than provided you will need to identify the "L" line wire and the "N" neutral wire before you cut the excess wire off. One is labeled N and the other labeled L. To do this separate the "L" line wire and the "N" neutral wire as far as you need to. Re-label the wire near where you want to make the cut. Be sure to mark the wire on the side of the fixture and not on the excess wire being cut and removed.



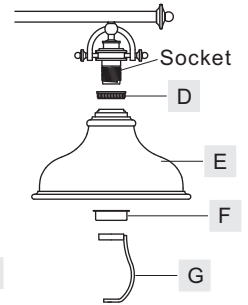
STEP 7 - Install Ceiling Canopy

- A. Attach the Lock Washer, the Ceiling Canopy (BB) and the Covers over the end of the Nipple as shown. Secure by threading the Finial onto the Nipple. Hand tighten until snug.



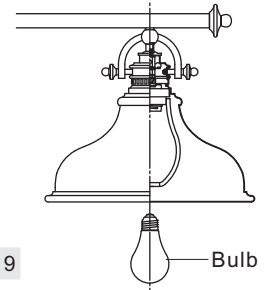
STEP 8 - Install Shade

- A. Place the Upper Collar (D), the Shade (E) and the Steel Collar (F) in turn and secure with the Harp with Socket Collar (G). Hand tighten until snug.



STEP 9 - Install Bulb

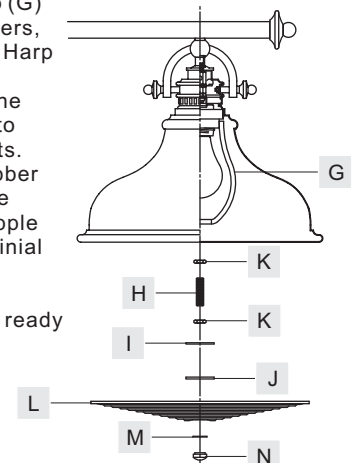
- A. This fixture uses standard bulb with medium base. Maximum 100 watts.
 B. Insert bulb and screw snugly into place.



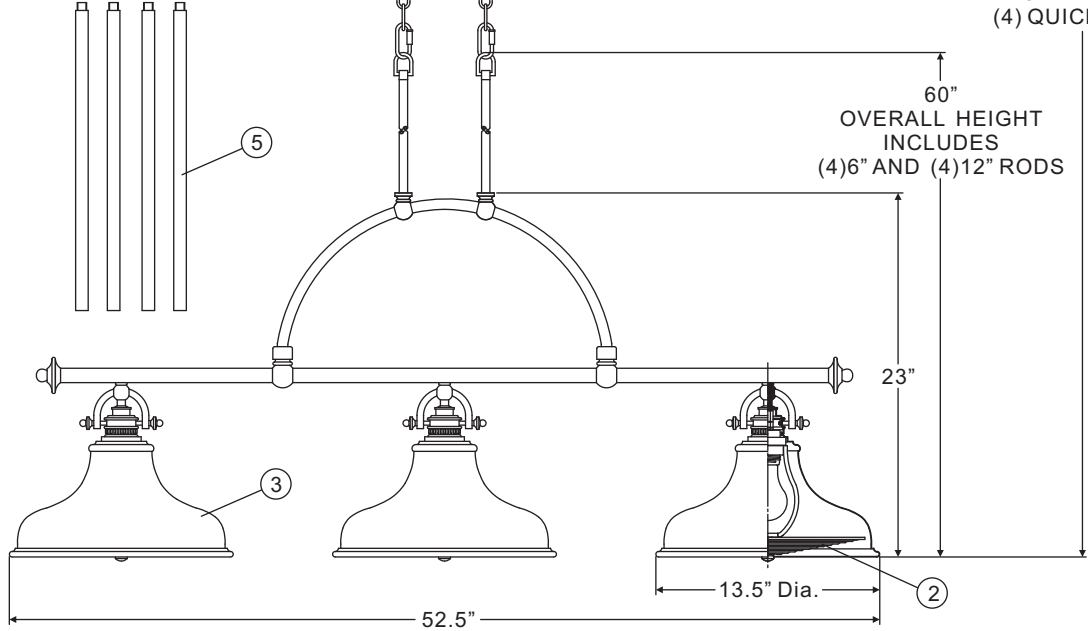
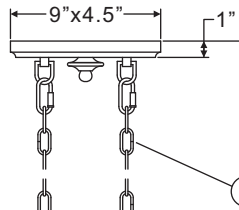
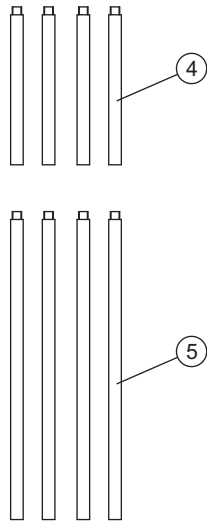
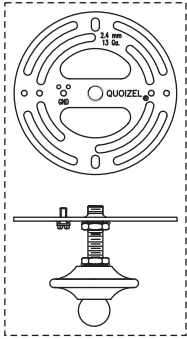
STEP 10 - Install Diffuser

- A. Thread one Hex Nut (K) to the Nipple (H) approx half way. Screw the Nipple (H) into the bottom end of the Harp (G) and tighten until snug. By using pliers, thread the Hex Nut (K) against the Harp (G) and hand tighten until snug.
- B. Thread another Hex Nut (K) onto the end of the Nipple (H) and adjust it to proper location for rest components. Attach the Flat Washer (I), the Rubber Washer (J), the Diffuser (L) and the Small Flat Washer (M) over the Nipple (H) in turn. Secure them with the Finial (N) and hand tighten until snug.

Your fixture is now assembled and ready to use. Enjoy!



SKU: UQL2285



(3) 100W Medium Base Bulbs (Not Supplied)

NOTE: ALL DIMENSIONS ARE ROUNDED UP TO THE NEAREST 1/2"

NO.	PART NUMBER	REPLACEMENT PART	REQ.	STYLE NUMBER
1	UQL2285CH	CHAIN	1	
2	UQL2285DI	DIFFUSER	3	
3	UQL2285SH	METAL SHADE	3	
4	UQL2285EX6	6"L ROD	4	
5	UQL2285EX12	12"L ROD	4	

urban ambiance

www.urbanambiance.com