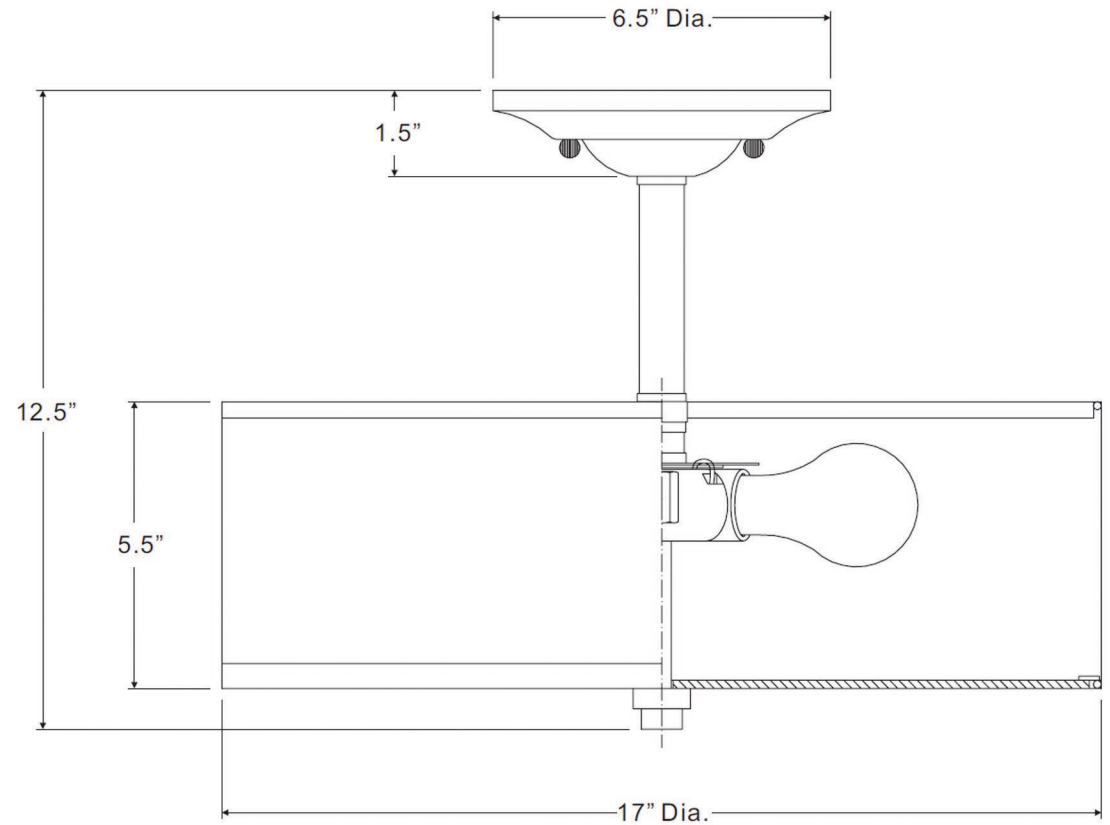


urban ambiance

UQL2231

INTERIOR CEILING FIXTURE



Collection	Dublin
Finish	Dark Bronze
Shade	Khaki Fabric
Bulb Type	A19 Medium Base
Bulb Wattage	100
Number of Bulbs	3
Bulbs Included	No
Certification	ETL Listed
Rated For	Damp Locations
Weight	5.89 Pounds
Chain Length	N/A
Extension Rods	N/A
Material Construction	Steel