

Installation  
Instructions:  
UQL2231

# urban ambiance

**Tools Required:** Flathead screwdriver, Phillips screwdriver, pliers, wire cutters, wire strippers, electrical tape, safety glasses.

**Bulb Recommended:** (3) Medium Base 100W Maximum

**Estimated Assembly Time:** 20-30 minutes

**Preparation:** Identify and inspect all parts before beginning installation. Check package content list and diagrams below to be sure all parts are present. If any parts are missing or damaged, do not attempt to assemble, install, or operate the fixture. Contact customer service for replacement parts.



## Warnings and Cautions

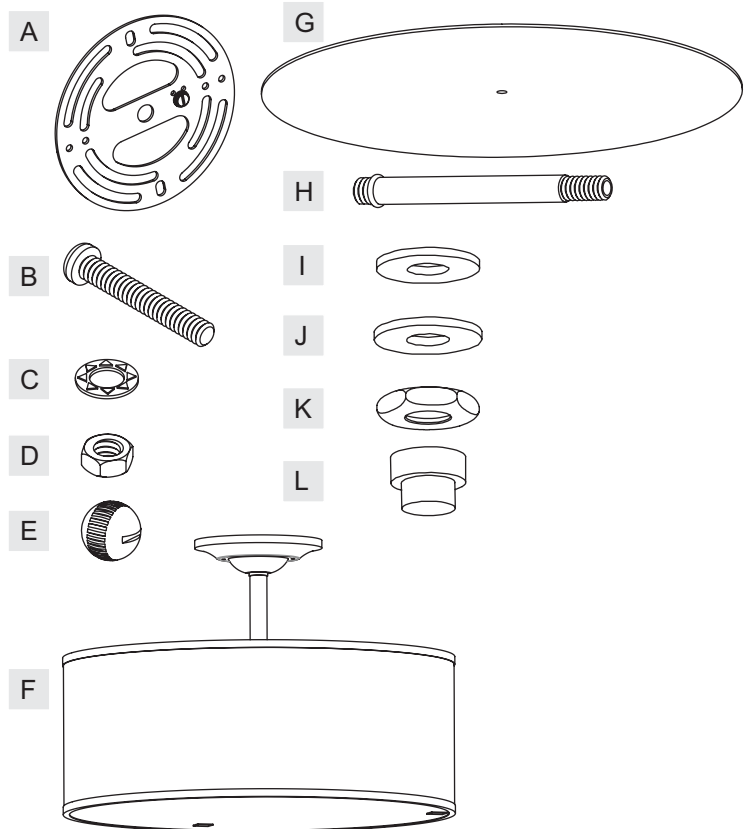
Turn off electricity at circuit breaker or main fuse box before installation. Consult a licensed electrician if in doubt.

These instructions are provided for your safety. It is very important you read them completely before installing the fixture. We strongly recommend that a licensed, professional electrician perform the installation.

Disconnect fixture from power source before replacing bulbs. Make sure bulbs are given sufficient time to cool before removal. Do not subject glass parts to any shock while in operation or shattering may result.

## Package Contents

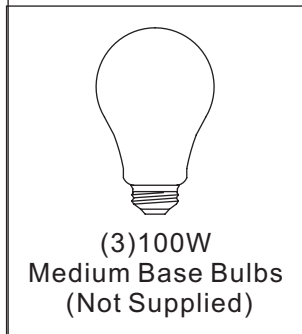
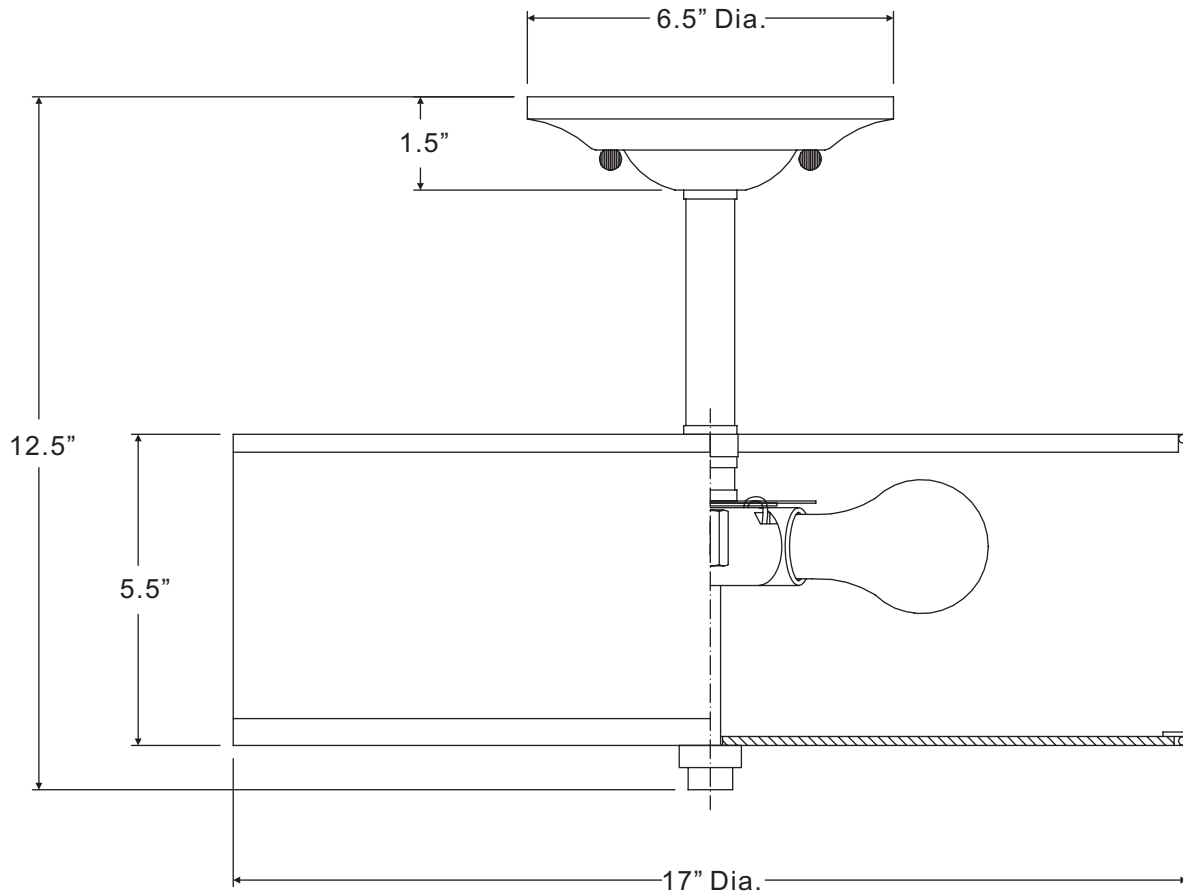
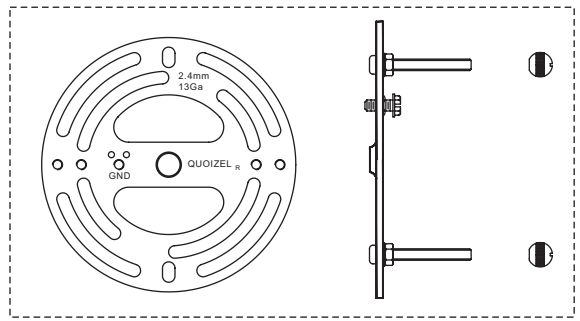
Part	Description	Quantity
A	Crossbar	1 pc.
B	Mounting Screw	2 pcs.
C	Lock Washer	2 pcs.
D	Hex Nut	2 pcs.
E	Mounting Ball	2 pcs.
F	Fixture Body	1 pc.
G	Diffuser	1 pc.
H	Center Stem	1 pc.
I	Rubber Washer	1 pc.
J	Flat Washer	1 pc.
K	1/8 Hex Nut	1 pc.
L	Finial	1 pc.



urban ambiance

[www.urbanambiance.com](http://www.urbanambiance.com)

SKU: UQL2231



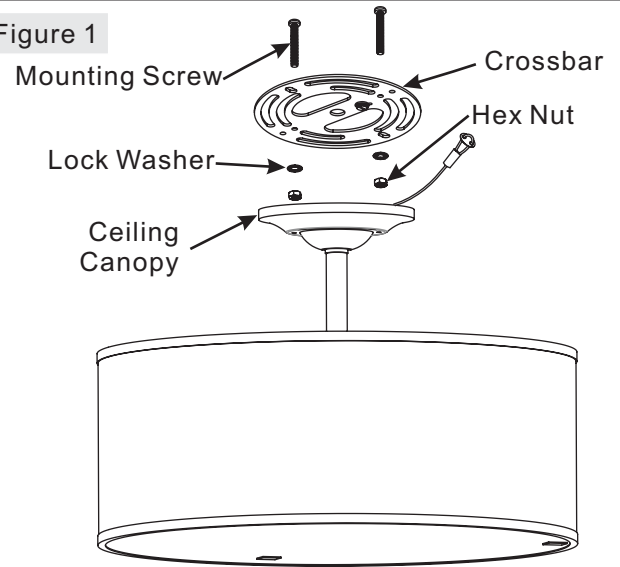
NOTE: ALL DIMENSIONS ARE ROUNDED UP TO THE NEAREST 1/2"

NO.	PART NUMBER	REPLACEMENT PART DESCRIPTION	REQ.

**STEP 1 – Attach Mounting Screws, Lock Washers and Hex Nuts to Crossbar**

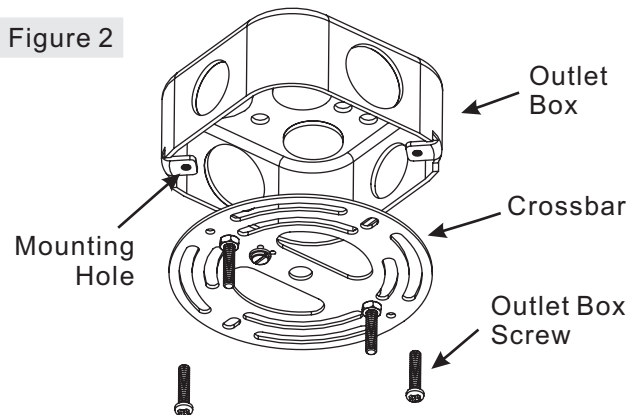
- A. Line up a set of holes on the Crossbar (A) and Holes on the Ceiling Canopy.
- B. Thread Mounting Screws (B) into the holes on the Crossbar (A), pass Lock Washers (C) and thread Hex Nut (D) onto the Mounting Screws (B). Hand tighten until snug.

Figure 1

**STEP 2 – Attach Crossbar to Outlet Box**

- A. Attach the Crossbar (A) to Outlet Box and secure by threading Outlet Box Screws (not supplied) into the Mounting Holes on the Outlet Box. Tighten until snug.

Figure 2



**STEP 3 – Make Wire Connections**

- A. Use standard wire connectors to make all wire connections. (Connectors are not included with fixture.) Strip and prepare wire ends according to instructions supplied with connectors.
- B. Connect White Supply Wire from the Outlet Box to White Wire from fixture.
- C. Connect Black (or Red) Supply Wire from the Outlet Box to Black Wire from fixture.
- D. Connect Ground Wire from the Outlet Box to Ground Wire from fixture.
- E. Twist connectors until wires are tightly joined together.
- F. Wrap each connection with approved electrical tape and carefully stuff all the connected wires into the Outlet Box.

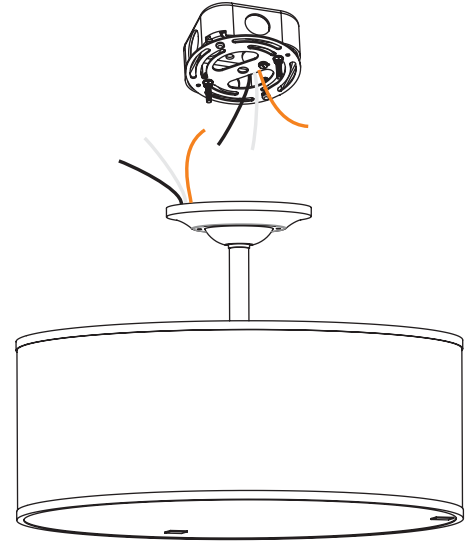


Figure 4

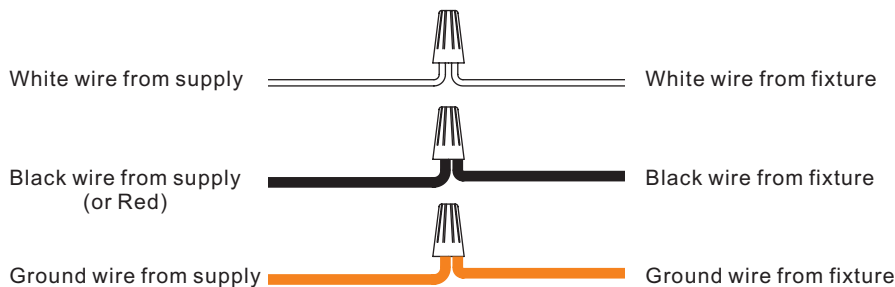


Figure 3

**STEP 4 – Attach Ceiling Canopy to Mounting Screw**

- A. Place the Ceiling Canopy on the top of the Fixture Body (F) over the Mounting Screws (B) and secure with Mounting Balls (E). Hand tighten until snug.

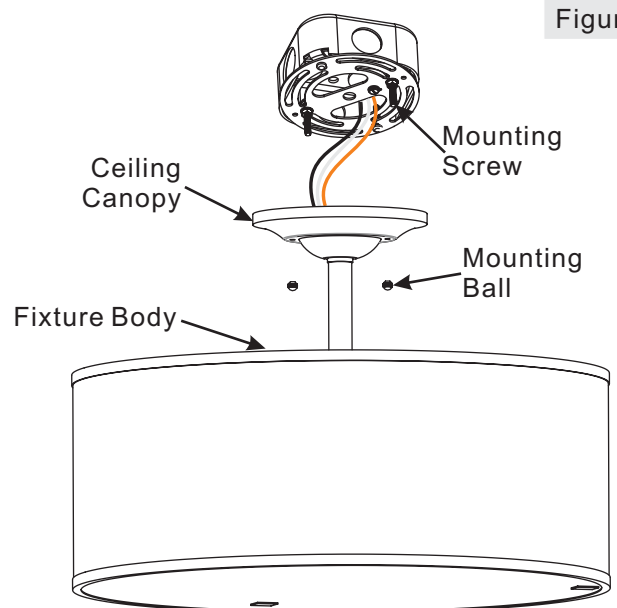
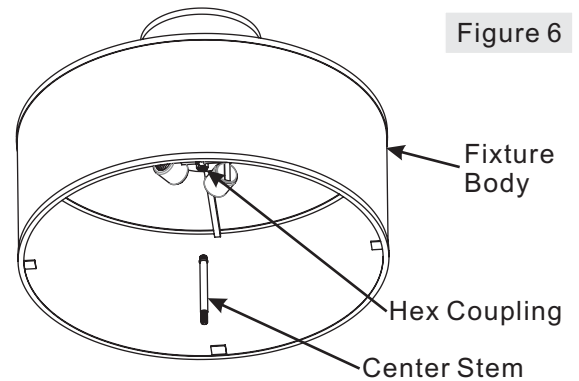


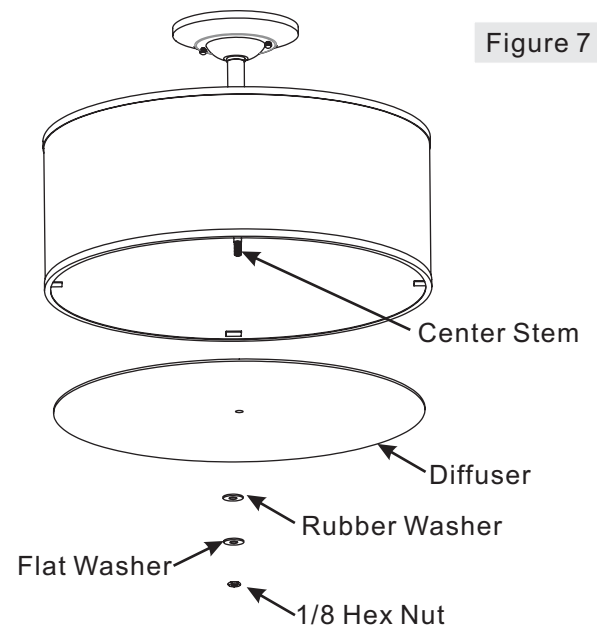
Figure 5

**STEP 5 – Attach Center Stem to Fixture Body**

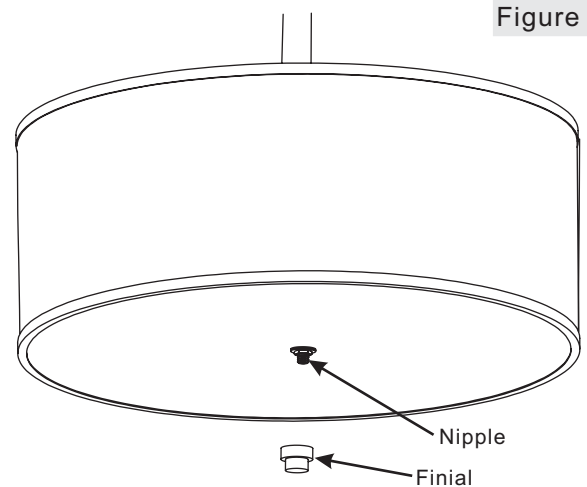
- A. Thread beaded end of Center Stem (H) onto Hex Coupling in the Fixture Body (F), hand tighten until snug.

**STEP 6 – Attach Shade to Fixture Body**

- A. Place Diffuser (G), Rubber Washer (I) and Flat Washer (J) onto the Center Stem (H), secure by thread Hex Nut (K) onto Center Stem (H). Hand tighten until snug.

**STEP 7 – attach Finial to fixture**

- A. Thread Finial (L) onto Nipple, hand tighten until snug.



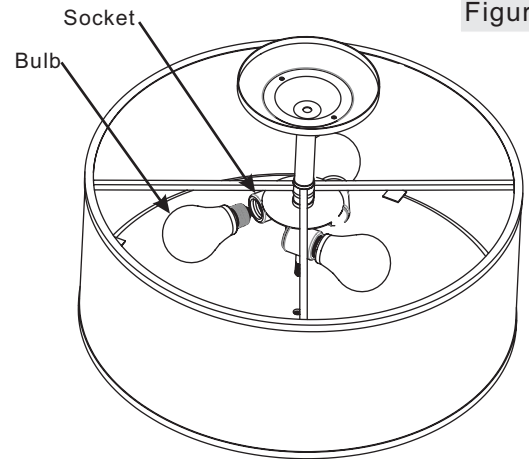
SKU: UQL2231

# urban ambiance

## STEP 8 – Install Bulb

- A. This fixture uses standard bulb with a standard screw base. Maximum 100 watts.
- B. Insert bulb and screw properly into place.

Your fixture is now assembled and ready to use.  
Enjoy!



urban ambiance

[www.urbanambiance.com](http://www.urbanambiance.com)