

**Tools Required:** Flathead screwdriver, Phillips screwdriver, pliers, wire cutters, wire strippers, electrical tape, safety glasses.

**Light Source:** (5) B10 Candelabra Base 60W Maximum

**Estimated Assembly Time:** 30-45 minutes

**Preparation:** Identify and inspect all parts before beginning installation. Check package content list and diagrams below to be sure all parts are present. If any parts are missing or damaged, do not attempt to assemble, install, or operate the fixture. Contact customer service for replacement parts.

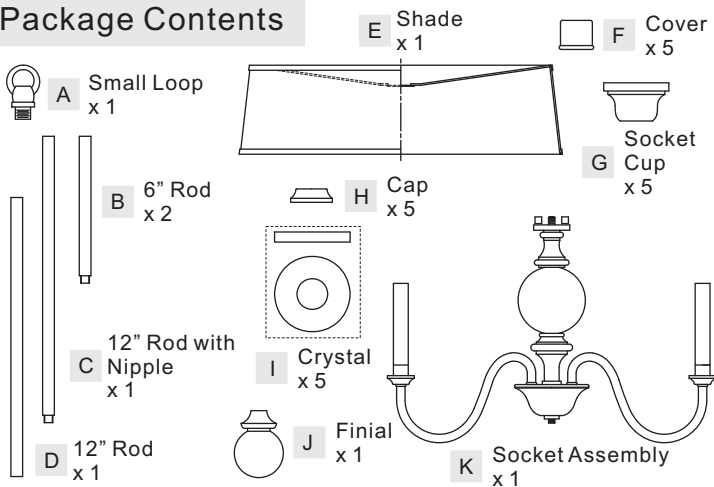
### ⚠ Warnings and Cautions

Turn off electricity at circuit breaker or main fuse box before installation. Consult a licensed electrician if in doubt.

These instructions are provided for your safety. It is very important you read them completely before installing the fixture. We strongly recommend that a licensed, professional electrician perform the installation.

Disconnect fixture from power source before replacing bulbs. Make sure bulbs are given sufficient time to cool before removal.

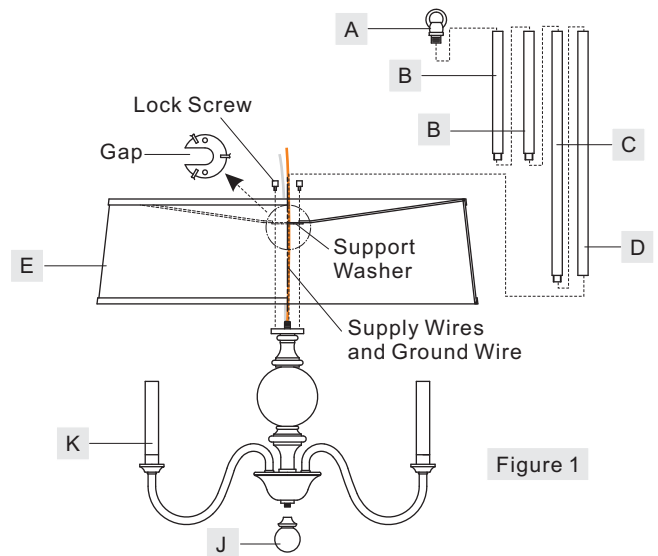
### Package Contents



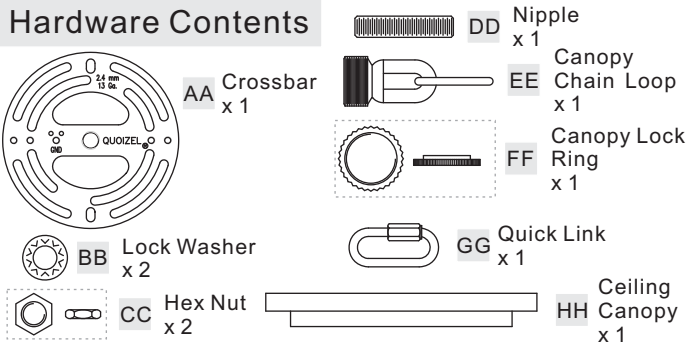
### (Step 1 Continued)

from top end of fixture. Pass it over Small Loop (A) and chosen rods (B/C/D). Fit the bottom rod into the Gap of Support Washer in the Shade (E) and align holes on Support Washer to mounting holes on top ends of Socket Assembly (K). Secure the Shade (E) by using removed Lock Screws. Hand tighten until snug.

Suggested rods for Ceiling height :  
 8' ceiling: use (1) 6" rod and (1) 12" rod  
 9' ceiling: use (1) 6" rod and (2) 12" rods  
 10' ceiling: use (2) 6" rods and (2) 12" rods

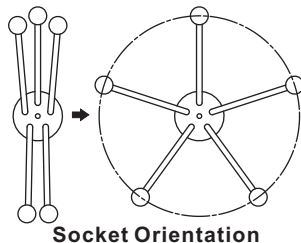


### Hardware Contents



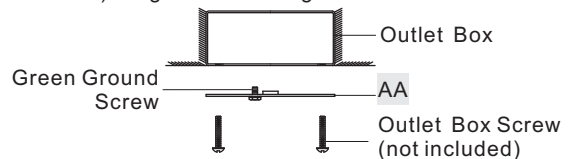
### STEP 1 – Assemble Small Loop, Rods, Socket Assembly and Finial

- Thread Finial (J) onto the bottom center of Socket Assembly (K). Hand tighten until snug.
- Determine Rods (B/C/D) to be assembled to Socket Assembly (K) according to your hanging height.
- Pass the supply wires and ground wire through the chosen rods (B/C/D) and the Small Loop (A). Thread Socket Assembly (K), the chosen Rods (B/C/D) and Small Loop (A) together. Hand tighten until snug.
- Remove Lock Screws from Socket Assembly (K). Place the Shade (E)



### STEP 2 – Install Crossbar

- Attach the Crossbar (AA) to the Outlet Box with the head of the Green Ground Screw facing you. Secure it with Outlet Box Screws (not included). Tighten until snug.



### STEP 3 - Install Canopy Chain Loop and Nipple

\* Pliers is required for this step.

- Thread one Hex Nut (CC) to one end of the Nipple (DD) until it is at least 0.25" from the end. Pass one Lock Washer (BB) over the end of the Nipple (DD) and thread the Canopy Chain Loop (EE) onto the Nipple (DD). By using pliers, thread the Hex Nut (CC) against the Canopy Chain Loop (EE) and hand tighten until snug.
- Thread another Hex Nut (CC) to the middle of the Nipple (DD). Place another Lock Washer (BB) over the Nipple (DD) and then  
**(Step 3 Continued)**

thread the Nipple (DD) into the Crossbar (AA) until the Nipple (DD) is about 0.375" above the Crossbar (AA).

- Remove the Canopy Lock Ring (FF) from the Canopy Chain Loop (EE). Place the Ceiling Canopy (HH) over the Canopy Chain Loop (EE) against the ceiling to determine the correct position of the Nipple (DD). Thread the Canopy Lock Ring onto the Canopy Chain Loop (EE). Adjust the Nipple (DD) to allow the Ceiling Canopy (HH) to rest against the ceiling when held in place by the Canopy Lock Ring (FF).
- Remove the Canopy Lock Ring (FF) and the Ceiling Canopy (HH). Tighten the Hex Nut (CC) against the Crossbar (AA) to secure in place.

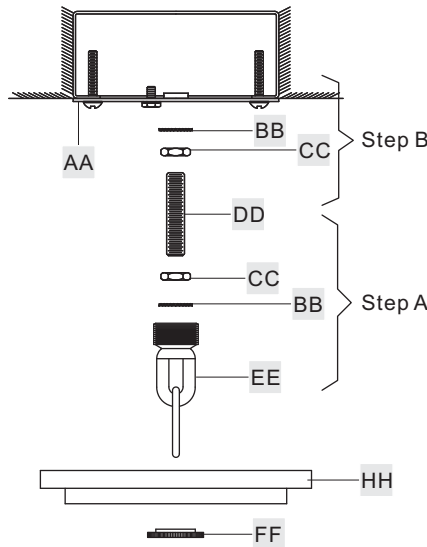


Figure 3

### STEP 4 - Install Fixture Chain and Ceiling Canopy

- Pull the supply wires through the Canopy Lock Ring (FF) and the Ceiling Canopy (HH) in order.
- Connect the Small Loop (A) to Canopy Chain Loop (EE) by using the Quick Link (GG). The fixture will hang safely now. Close the Quick Link (GG).
- Feed the Supply Wires and Ground Wire through the Canopy Chain Loop (EE) and Nipple (DD) into the Outlet Box. Cut the wires leaving approximately 8" of wire extending from the Outlet Box.
- Refer to Step 5 for wire connections.
- Raise the Ceiling Canopy (HH) and Canopy Lock Ring (FF) up the Quick Link (GG) and over the Canopy Chain Loop (EE). Tighten the Canopy Lock Ring (FF) onto the Canopy Chain Loop (EE) until tight.

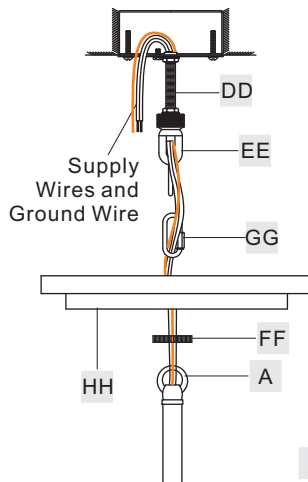


Figure 4

### STEP 5 - Wire Connections

- Use standard wire connectors (not included) to make all wire connections. (Connectors are not included with fixture.) Twist connectors until wires are tightly joined together. Wrap each connection with approved electrical tape and carefully stuff all the connected wires into outlet box.

Note: If the electrical wire is going to be cut shorter than provided you will need to identify the "L" line wire and the "N" neutral wire before you cut the excess wire off. One is labeled N and the other labeled L. To do this separate the "L" line wire and the "N" neutral wire as far as you need to. Re-label the wire near where you want to make the cut. Be sure to mark the wire on the side of the fixture and not on the excess wire being cut and removed.

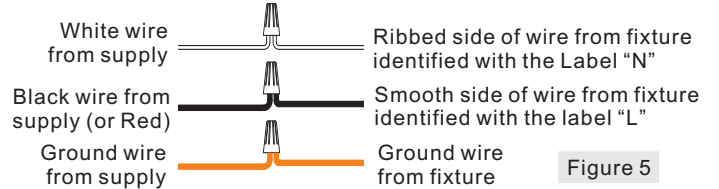


Figure 5

### STEP 6 - Install Crystal, Cap, Socket Cup, Cover and Bulbs

- Pass Crystal (I), Cap (H) and Socket Cup (G) over Candle Covers in turn as shown. Place Covers (F) onto top end of Candle Covers.
- Insert bulbs and screw snugly into place.

Your fixture is now assembled and ready to use. Enjoy!

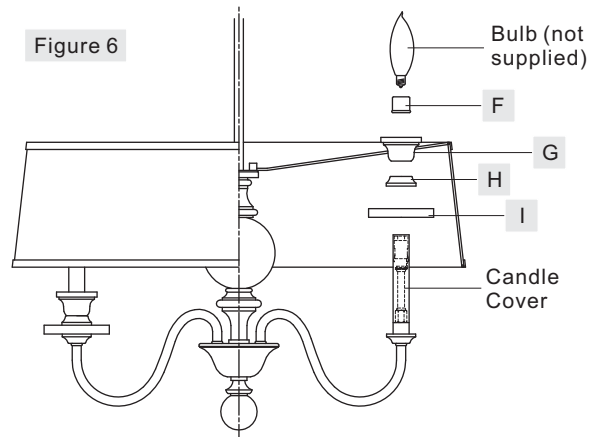
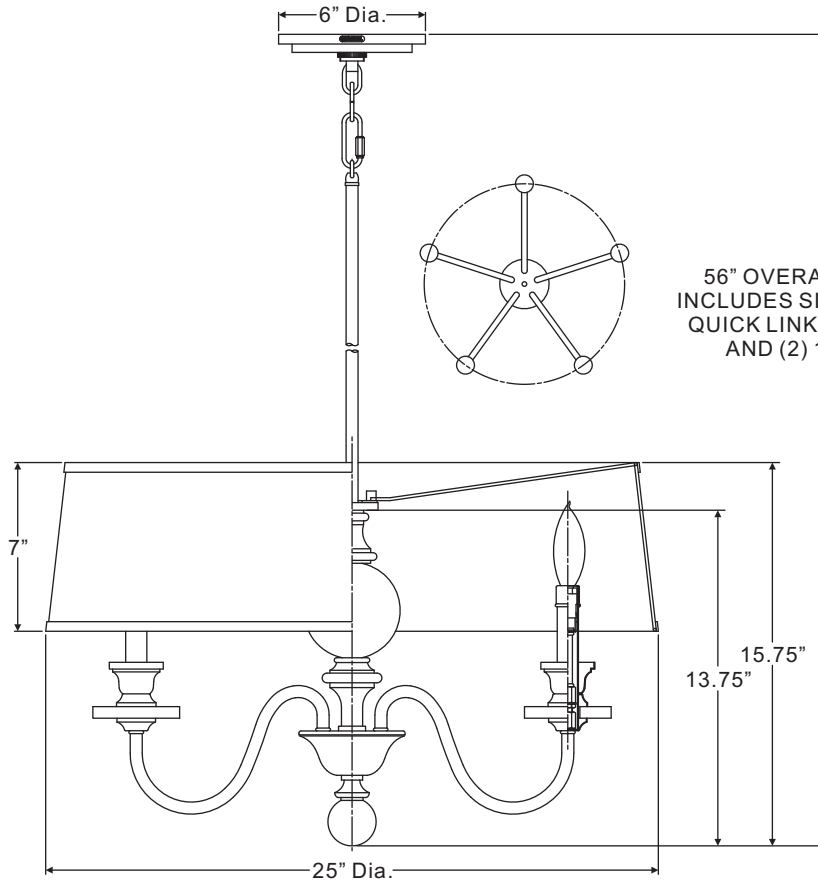
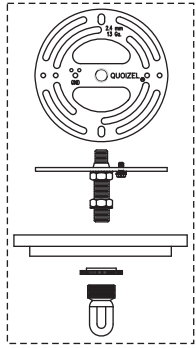


Figure 6

SKU: UQL2180



56" OVERALL HEIGHT  
INCLUDES SINGLE CHAIN,  
QUICK LINK, (2) 6" RODS  
AND (2) 12" RODS

NOTE: ALL DIMENSIONS ARE ROUNDED UP TO THE NEAREST 1/4"

urban ambiance

[www.urbanambiance.com](http://www.urbanambiance.com)