

Tools Required: Flathead screwdriver, Phillips screwdriver, pliers, wire cutters, wire strippers, electrical tape, safety glasses.

Light Source: (6) B10 Candelabra Base Bulbs 60W Maximum.

Estimated Assembly Time: 30-45 minutes

Preparation: Identify and inspect all parts before beginning installation. Check package content list and diagrams below to be sure all parts are present. If any parts are missing or damaged, do not attempt to assemble, install, or operate the fixture. Contact customer service for replacement parts.

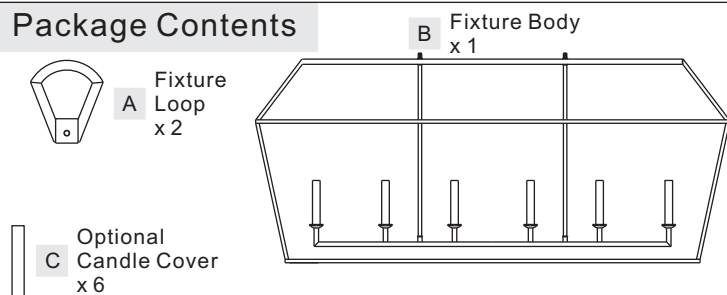
⚠ Warnings and Cautions

Turn off electricity at circuit breaker or main fuse box before installation. Consult a licensed electrician if in doubt.

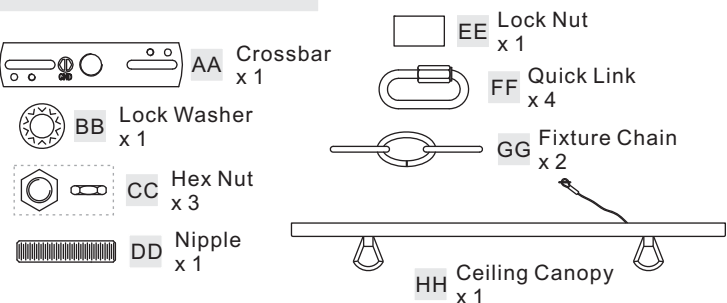
These instructions are provided for your safety. It is very important you read them completely before installing the fixture. We strongly recommend that a licensed, professional electrician perform the installation.

Disconnect fixture from power source before replacing bulbs. Make sure bulbs are given sufficient time to cool before removal.

Package Contents



Hardware Contents



STEP 1 - Assemble Fixture Loop to Fixture Body

- A. Thread the Fixture Loop (A) onto the top of the Fixture Body (B). Hand tighten until snug. Make sure (2) Fixture Loops (A) are in the same direction after tighten.

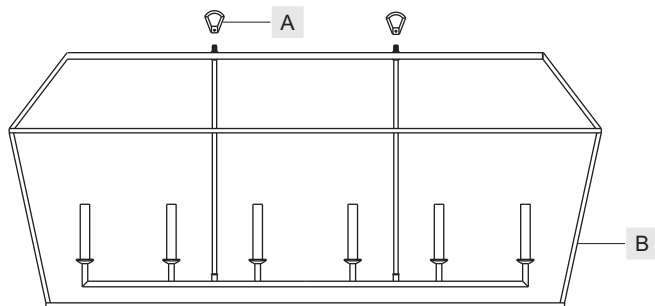


Figure 1

STEP 2 - Install Crossbar

- A. Attach the Crossbar (AA) to the Outlet Box with the head of the Green Ground Screw facing you. Secure it with Outlet Box Screws (not included). Tighten until snug.

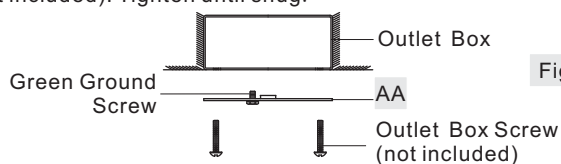


Figure 2

STEP 3 - Install Nipple to Crossbar

* Pliers is required for this step.

- A. Thread one Hex Nut (CC) to the middle of the Nipple (DD). Place the Lock Washer (BB) over the Nipple (DD) and then thread the Nipple (DD) into the Crossbar (AA) until the Nipple (DD) is about 0.375" above the Crossbar (AA).
 B. Place the Ceiling Canopy (HH) over the Nipple (DD) against the ceiling to determine the correct position of the Nipple (DD). Thread the Lock Ball (EE) onto the Nipple (DD). Adjust the Nipple (DD) to allow the Ceiling Canopy (HH) to rest against the ceiling when held in place by the Lock Ball (EE).
 C. Remove the Ceiling Canopy (HH) and then tighten the Hex Nut (CC) against the Crossbar (AA) to secure in place.

- D. Thread another Hex Nut (CC) onto the end of the Nipple (DD). Thread this Hex Nut (CC) on just enough so the inside surface of the Ceiling Canopy (HH) rests against it. * You may have to trial fit the Ceiling Canopy (HH) one more times to insure this distance also. This Hex Nut (CC) is needed here to prevent you from crushing down the center of the Ceiling Canopy (HH).

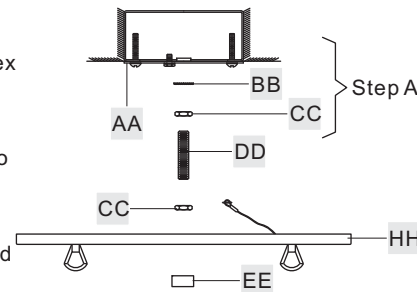


Figure 3

STEP 4 - Install Fixture Chain

- A. Adjust the Fixture Chain (GG) to your desired length by removing links if needed.
 * Pliers is required for this step.
 B. With the Fixture Chains (GG) not attached to the Fixture Loops on the top of the Fixture Body (B) and on the bottom of the Ceiling Canopy (HH), pull the supply wires and ground wire through one of the Fixture Chain (GG) alternating links. After the supply wires and ground wire are through the Fixture Chain (GG), pull the Supply

(Step 4 Continued)

Wires and the Ground Wire through the Ceiling Canopy (HH).
 C. Attach one end of the Fixture Chain (GG) to the Fixture Loop (A) on the top of the Fixture Body (B) with one Quick Link (FF). Lift the fixture and Fixture Chain (GG) up and attach the other end of the Fixture Chain (GG) onto the fixture loop on the bottom of the Ceiling Canopy (HH) with another Quick Link (FF).

Suggested chain length for Ceiling height :
 8' ceiling : use 4 links of chain and 2 quick links
 9' ceiling : use 14 links of chain and 2 quick links
 10' ceiling : use 24 links of chain and 2 quick links

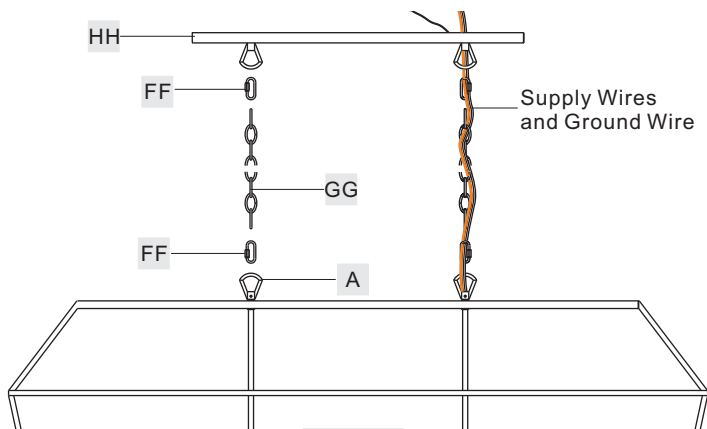


Figure 4

STEP 5 - Attach Lanyard

A. The purpose of the lanyard is to provide the installer a means to support the fixture from the junction box while connecting the electrical wires. This enables the fixture to hang from the junction box and your hands are free to make the wire connections.
 B. Turn the Button Stop so it may be inserted into the Crossbar slot. Make sure the Button Stop is completely inside the Crossbar. Slowly release the fixture to make sure it is supported by the Button Stop. Proceed to the wiring steps in the next step. Once you are complete with the wiring there is nothing to do with Lanyard. The Lanyard will push into the junction box when the fixture is placed for final mounting.

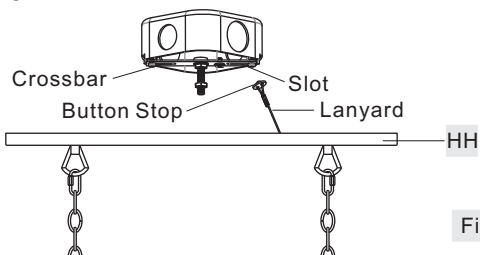


Figure 5

STEP 6 - Wire Connections

A. Use standard wire connectors (not included) to make all wire connections. Twist connectors until wires are tightly joined together. Wrap each connection with approved electrical tape and carefully stuff all the connected wires into outlet box.

Note: If the electrical wire is going to be cut shorter than provided you will need to identify the "L" line wire and the "N" neutral wire before you cut the excess wire off. One is labeled N and the other labeled L. To do this separate the "L" line wire and the "N" neutral wire as far as you need to. Re-label the wire near where you want to make the cut. Be sure to mark the wire on the side of the fixture and not on the excess wire being cut and removed.

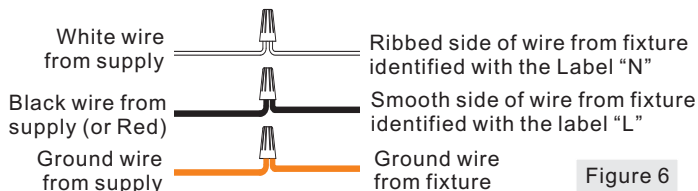


Figure 6

STEP 7 - Install Ceiling Canopy to Ceiling

A. Attach the Ceiling Canopy (HH) over the end of the Nipple (DD) and secure with the Hex Nut (CC). Hand tighten until snug.
 B. Thread the Lock Nut (EE) onto the end of the Nipple (DD) and hand tighten until snug.

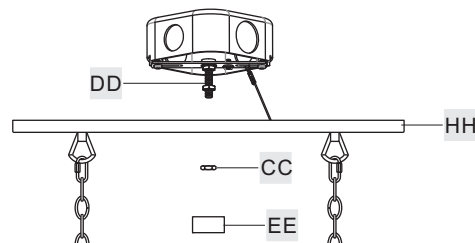


Figure 7

STEP 8 - Install Bulbs

A. Optional Candle Covers (C) are available for this item. Replace the existing candle covers with Optional Candle Covers (C).
 B. Insert bulbs into sockets and screw snugly into place.

Your fixture is now assembled and ready to use. Enjoy!

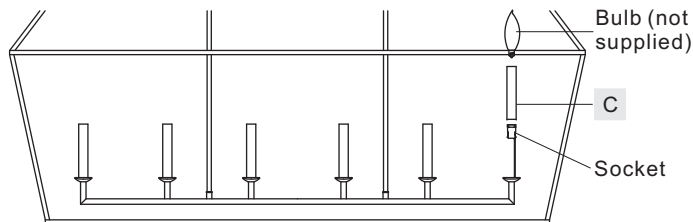
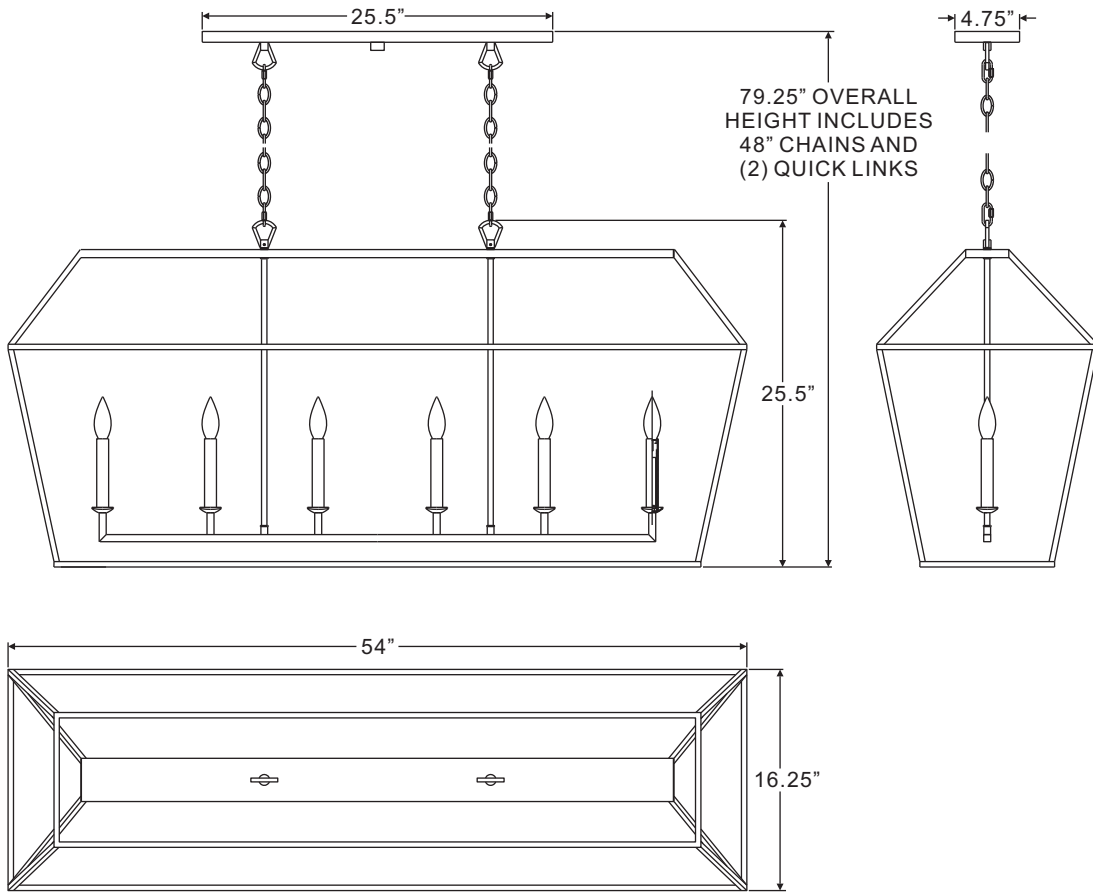
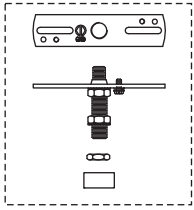


Figure 8

SKU: UQL2066

NOTE: ALL DIMENSIONS ARE ROUNDED UP TO THE NEAREST 1/4"



urban ambiance

www.urbanambiance.com