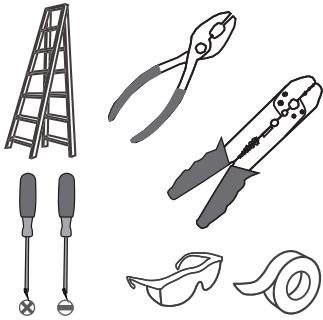
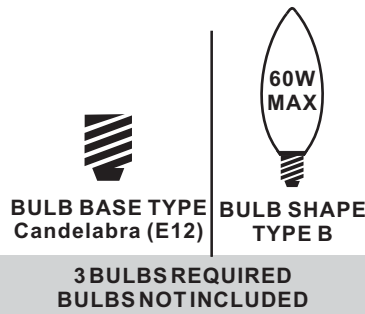


### Tools Required



### Light Source



### Warnings and Cautions

Turn off the electricity at the circuit breaker before installation. Consult a licensed electrician if in doubt about installation.

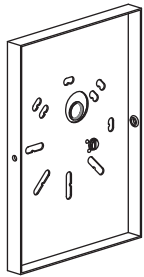
Turn off power to the fixture and allow the bulbs to cool before replacing.

### Package Contents

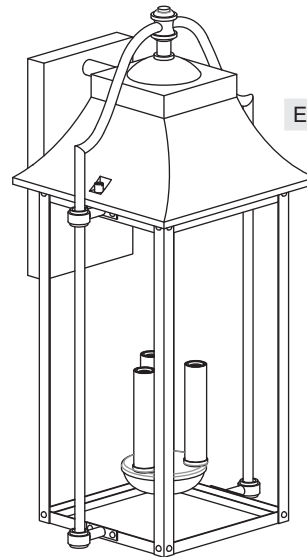
**Preparation:** Identify and inspect all parts before beginning the installation.

Missing or damaged parts? Contact your original place of purchase.

#### PARTS BAG



- A** Crossbar Assembly x 1
- B** Mounting Screw x 2
- C** Outlet Box Screw x 2
- D** Wire Connector x 3



**E** Fixture Body x 1



**F** Glass Panel x 4

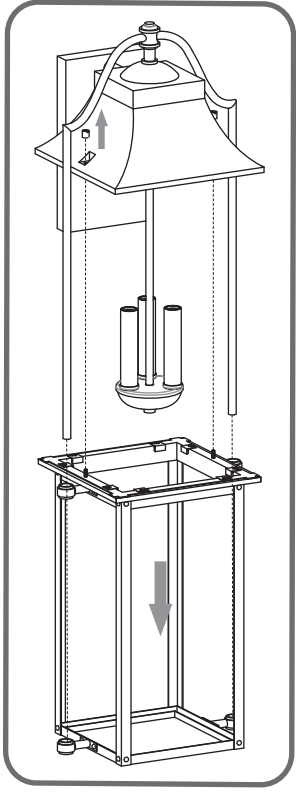
### Table of Contents

| Glass Panel | Crossbar Assembly | Wiring | Fixture Body | Bulb   | Caulk  |
|-------------|-------------------|--------|--------------|--------|--------|
|             |                   |        |              |        |        |
| STEP 1      | STEP 2            | STEP 3 | STEP 4       | STEP 5 | STEP 6 |

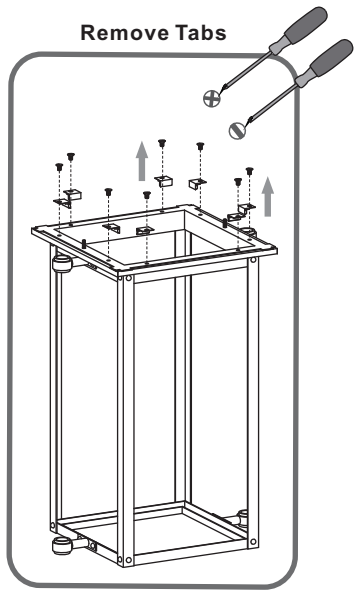
**STEP 1**

- ① ————— ② ————— ③ ————— ④

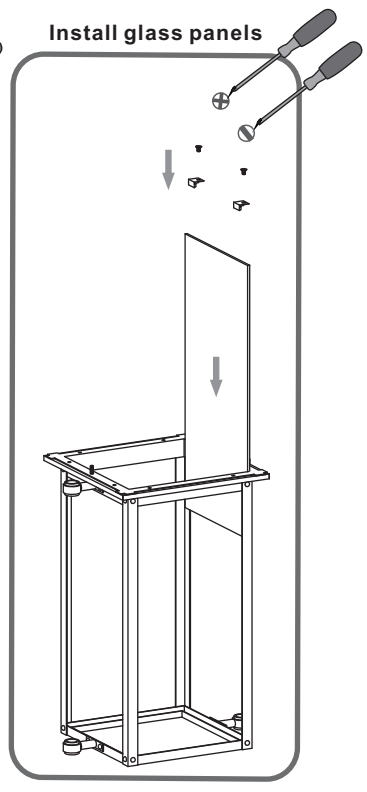
**Remove cage**



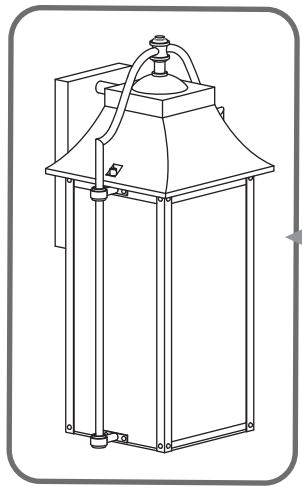
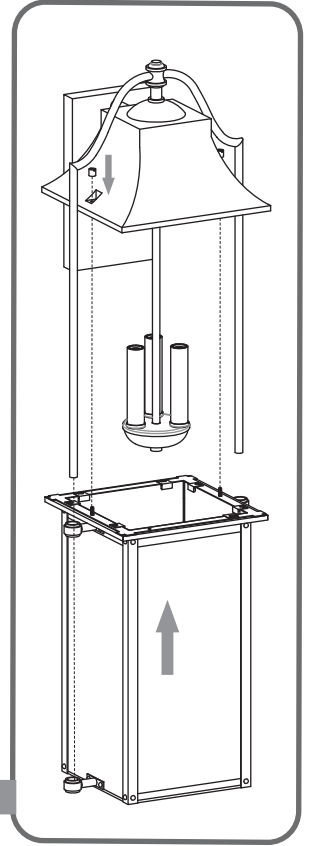
**Remove Tabs**



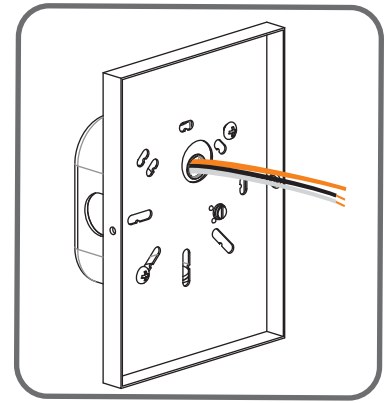
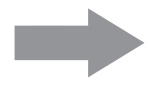
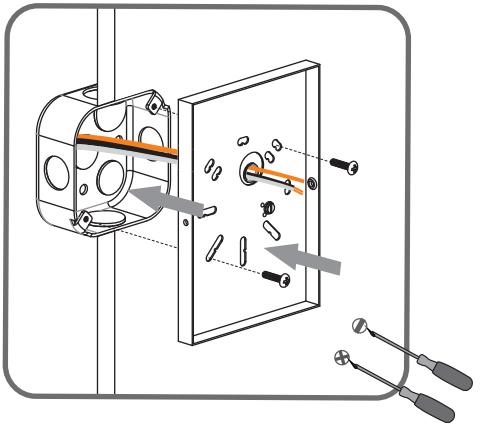
**Install glass panels**



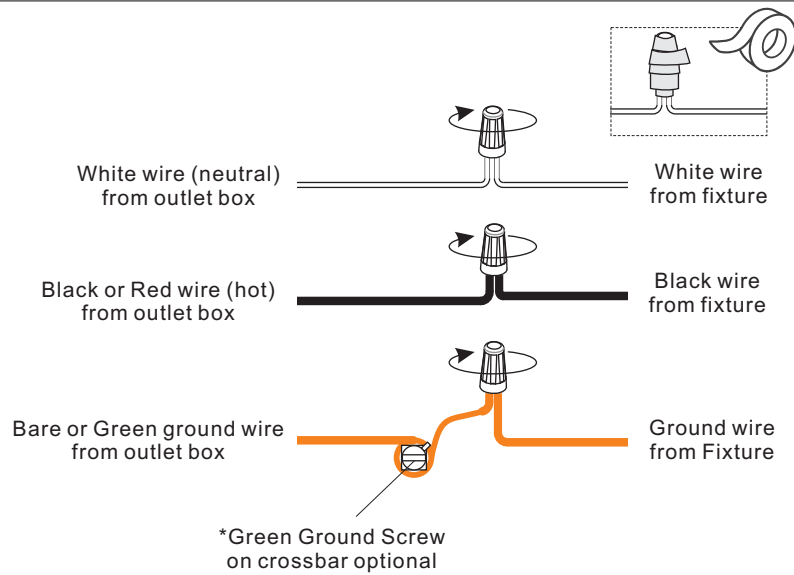
**Install cage**



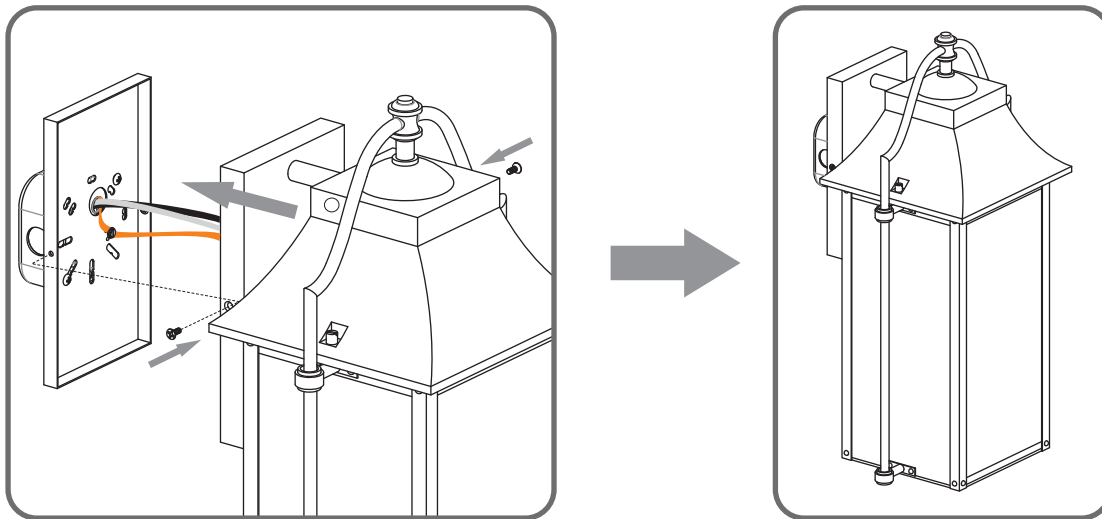
**STEP 2**



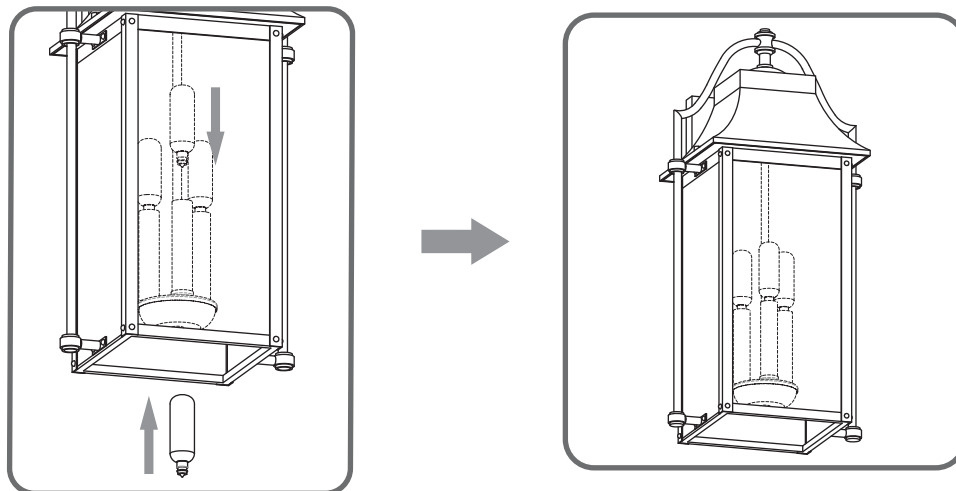
### STEP 3



### STEP 4



### STEP 5



**STEP 6**

