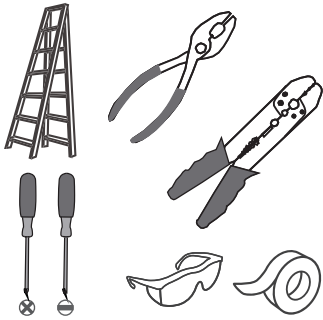
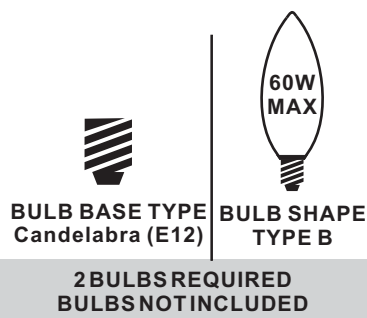


### Tools Required



### Light Source



### ⚠ Warnings and Cautions

Turn off the electricity at the circuit breaker before installation. Consult a licensed electrician if in doubt about installation.

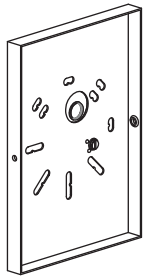
Turn off power to the fixture and allow the bulbs to cool before replacing.

### Package Contents

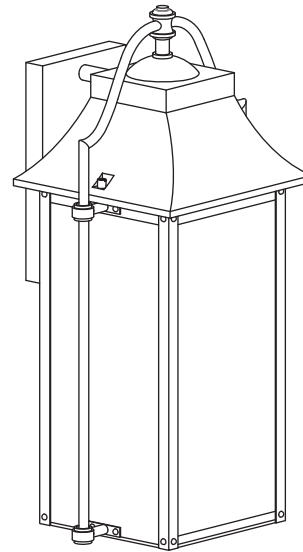
**Preparation:** Identify and inspect all parts before beginning the installation.

Missing or damaged parts? Contact your original place of purchase.

#### PARTS BAG



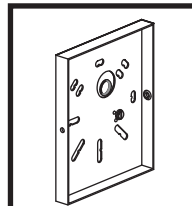
- A** Crossbar Assembly x 1
- B** Mounting Screw x 2
- C** Outlet Box Screw x 2
- D** Wire Connector x 3



**E** Fixture Body x 1

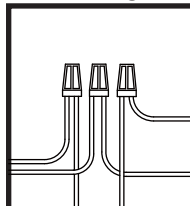
### Table of Contents

#### Crossbar Assembly



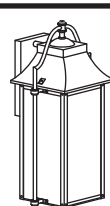
STEP 1

#### Wiring



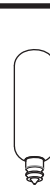
STEP 2

#### Fixture Body



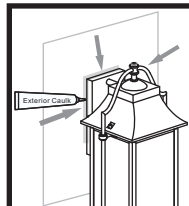
STEP 3

#### Bulb



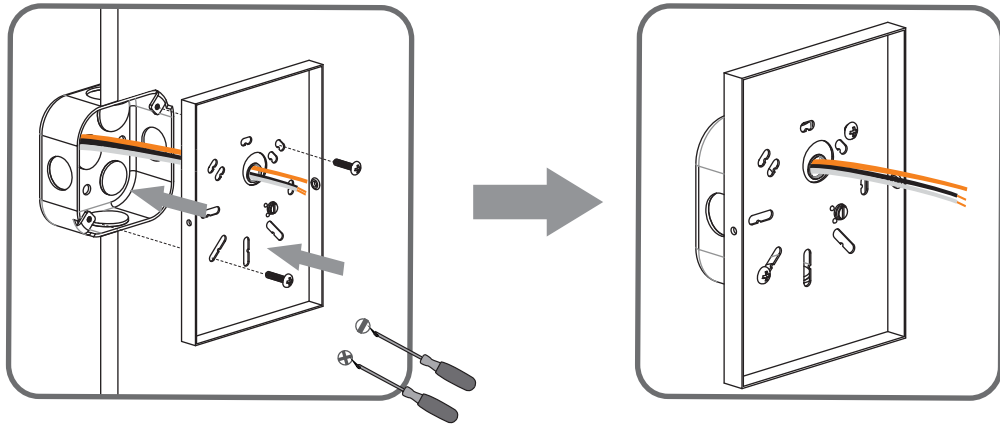
STEP 4

#### Caulk

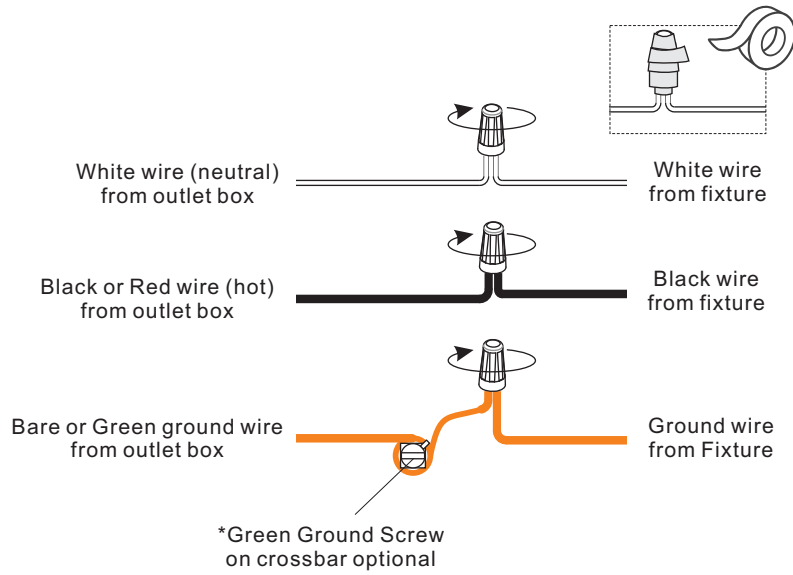


STEP 5

### STEP 1



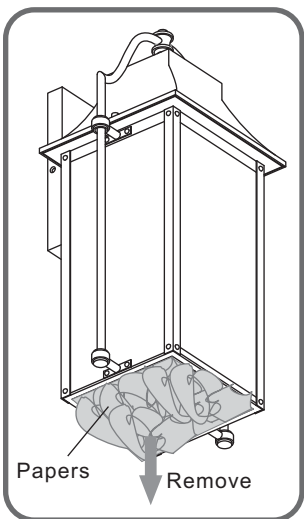
### STEP 2



### STEP 3

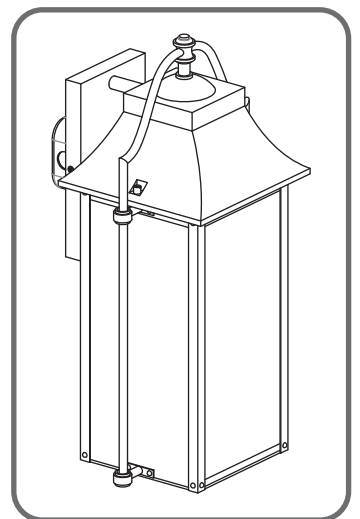
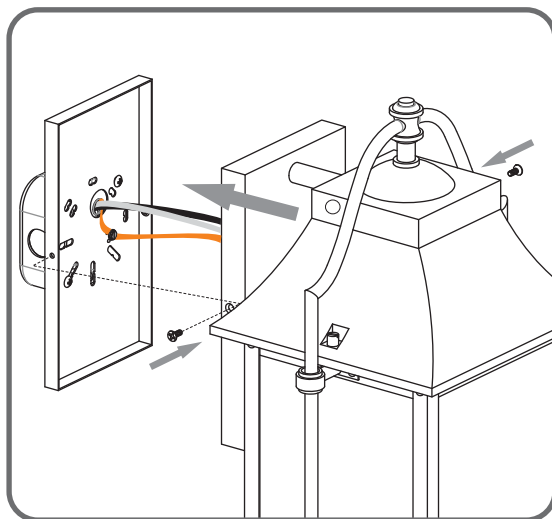
1

Remove papers inside of the cage

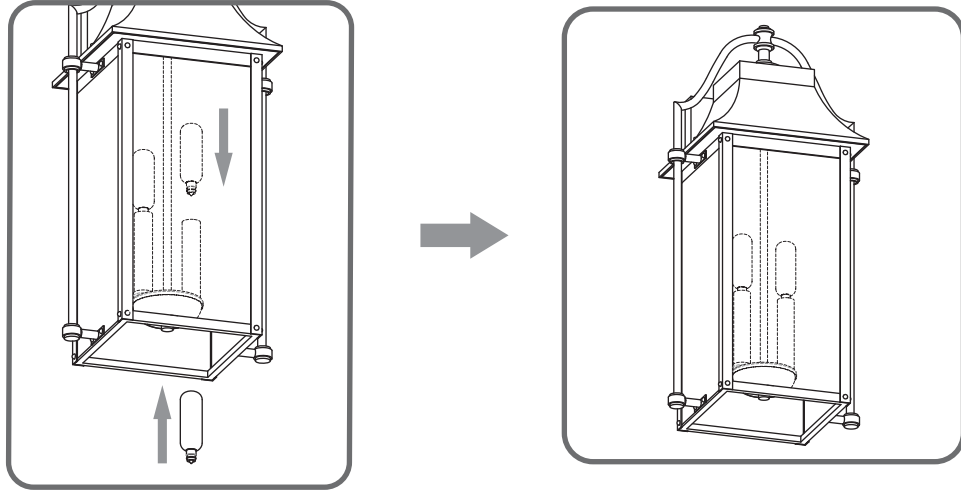


2

Install fixture body



**STEP 4**



**STEP 5**

