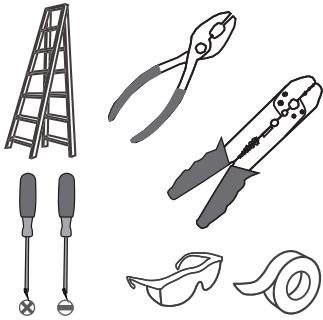
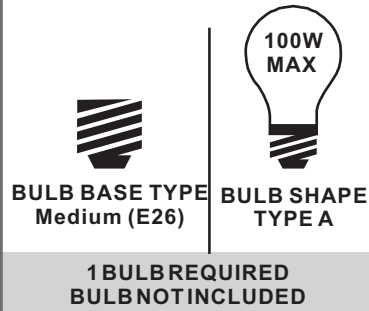


Tools Required



Light Source



Warnings and Cautions

Turn off the electricity at the circuit breaker before installation. Consult a licensed electrician if in doubt about installation.

Turn off power to the fixture and allow the bulbs to cool before replacing.

Package Contents

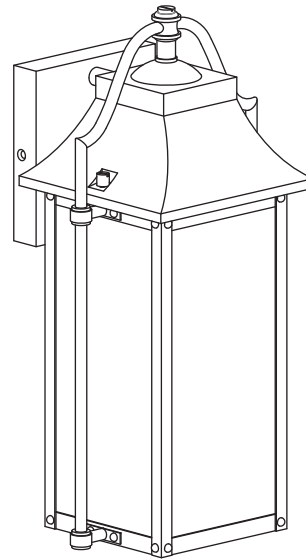
Preparation: Identify and inspect all parts before beginning the installation.

Missing or damaged parts? Contact your original place of purchase.

PARTS BAG



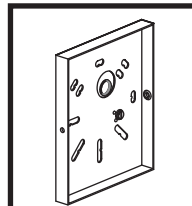
- A** Crossbar Assembly x 1
- B** Mounting Screw x 2
- C** Outlet Box Screw x 2
- D** Wire Connector x 3



E Fixture Body x 1

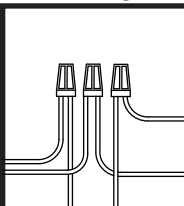
Table of Contents

Crossbar Assembly



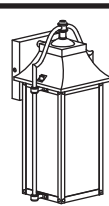
STEP 1

Wiring



STEP 2

Fixture Body



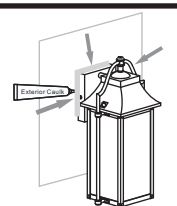
STEP 3

Bulb



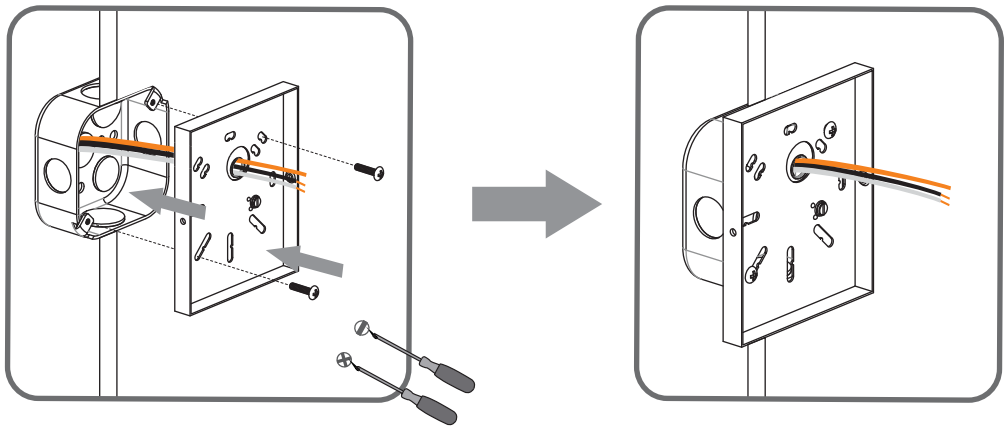
STEP 4

Caulk

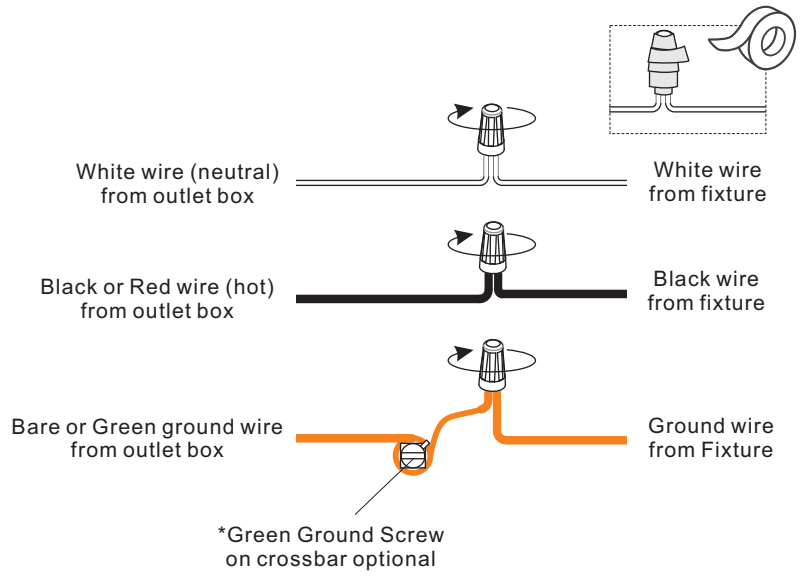


STEP 5

STEP 1



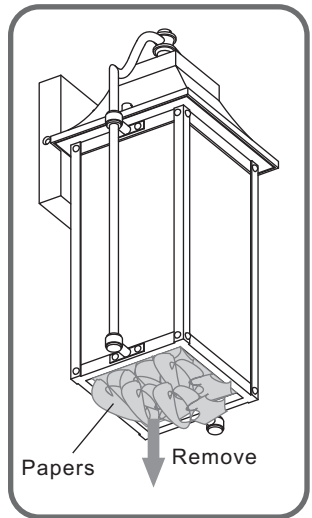
STEP 2



STEP 3

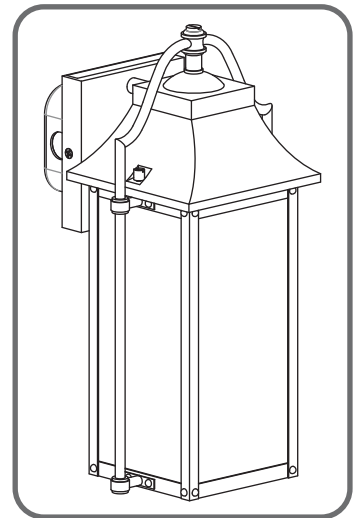
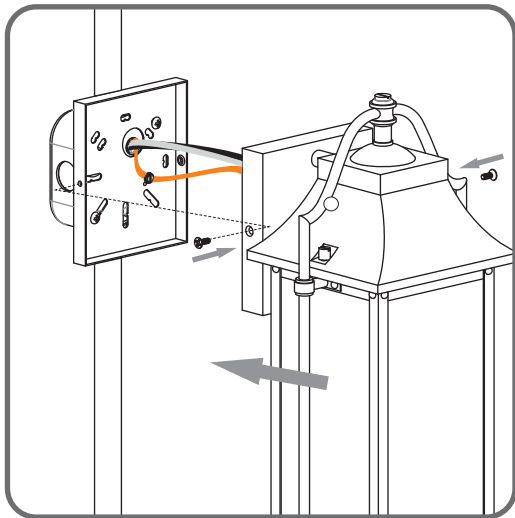
1

Remove papers inside of the cage

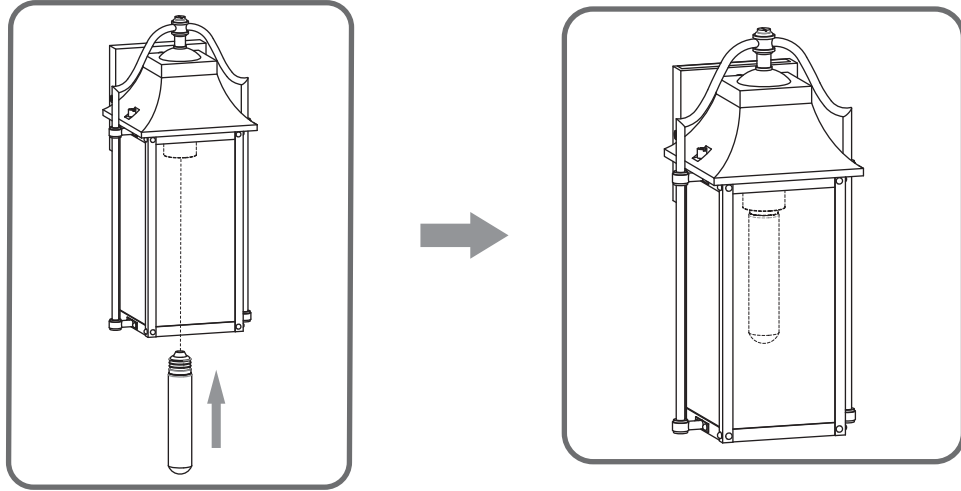


2

Install fixture body



STEP 4



STEP 5

