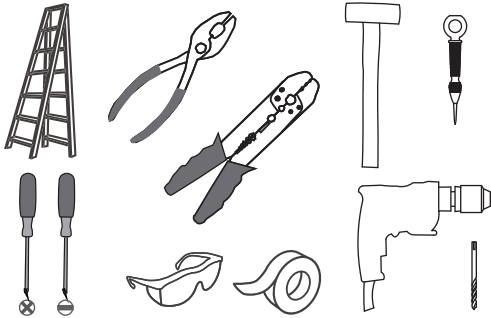
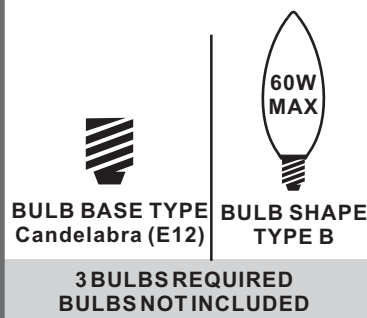


Tools Required



Light Source



⚠ Warnings and Cautions

Turn off the electricity at the circuit breaker before installation. Consult a licensed electrician if in doubt about installation.



Turn off power to the fixture and allow the bulbs to cool before replacing.

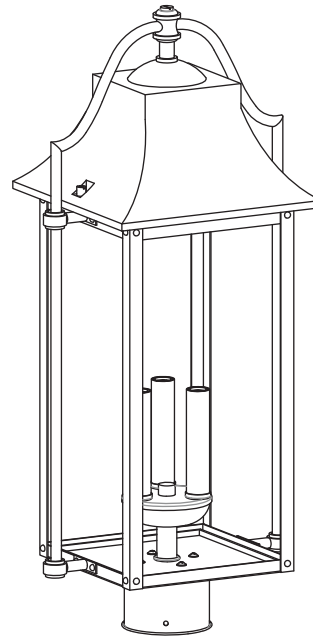
Package Contents

Preparation: Identify and inspect all parts before beginning the installation.

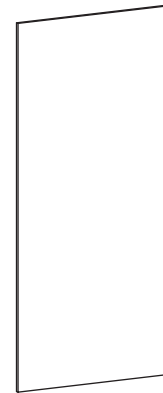
Missing or damaged parts? Contact your original place of purchase.

PARTS BAG

-  **A** Mounting Screw x 3
-  **B** Wire Connector x 3

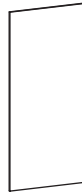

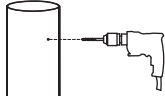
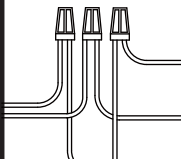



C Fixture Body x 1



D Glass Shade x 4

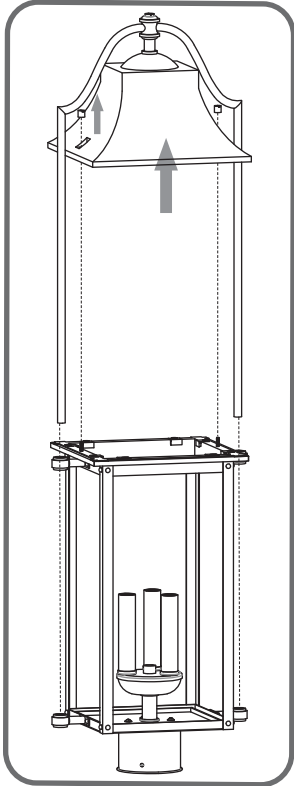
Table of Contents

Glass Panel	Bulb	Drill Holes	Wiring	Fixture Body
				
STEP 1	STEP 2	STEP 3	STEP 4	STEP 5

STEP 1

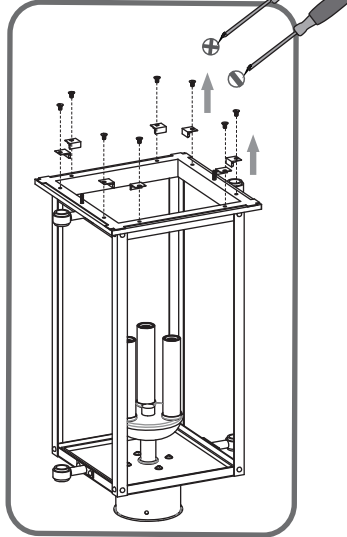
1

Remove fixture hood



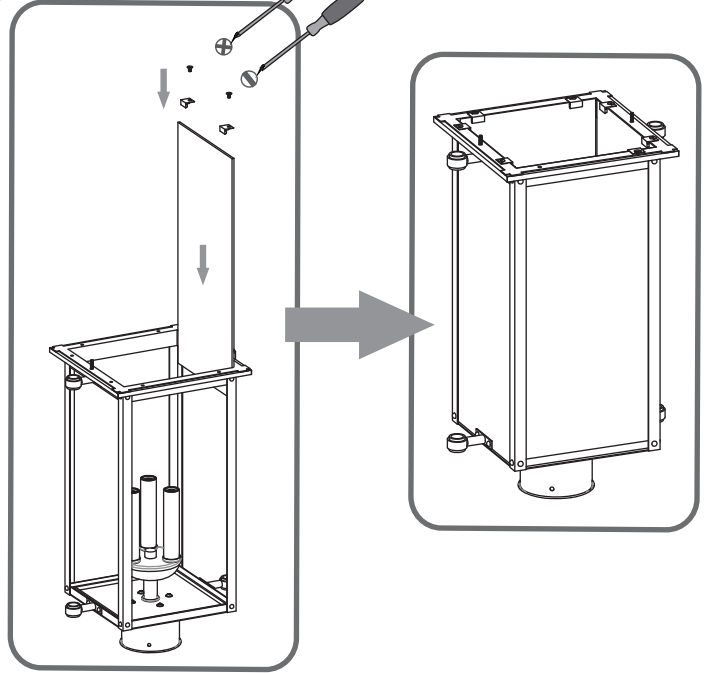
2

Remove Tabs



3

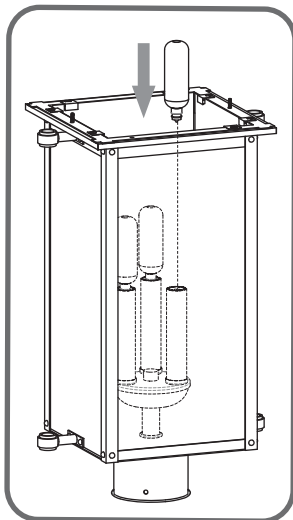
Install glass panels



STEP 2

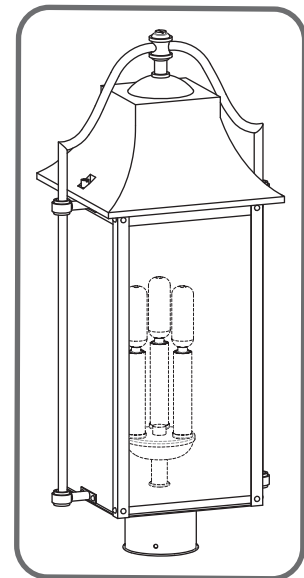
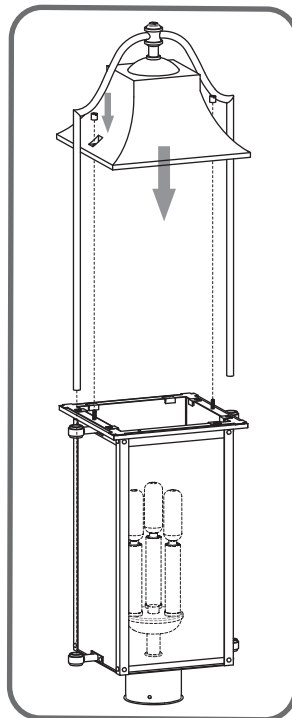
1

Install bulbs



2

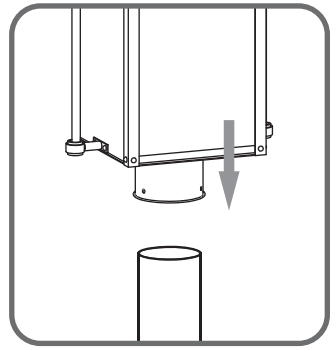
Install fixture hood



STEP 3

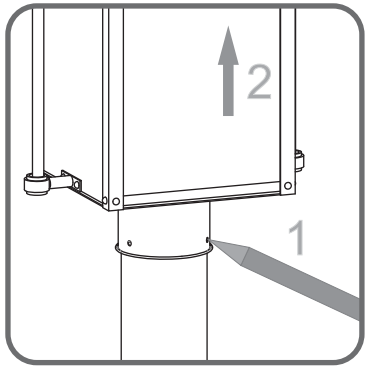
1

Step 1
Place Post Fitter to Post

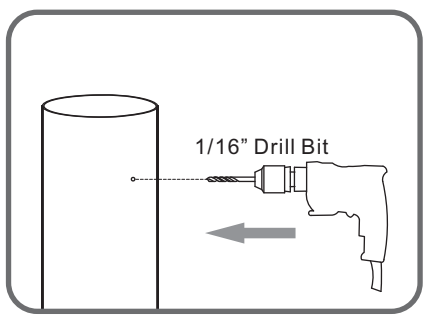
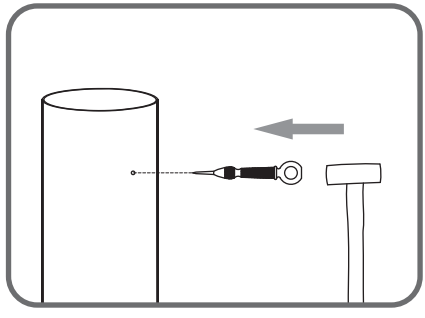


2

Step 2-3
Mark Mounting Holes Location on Post



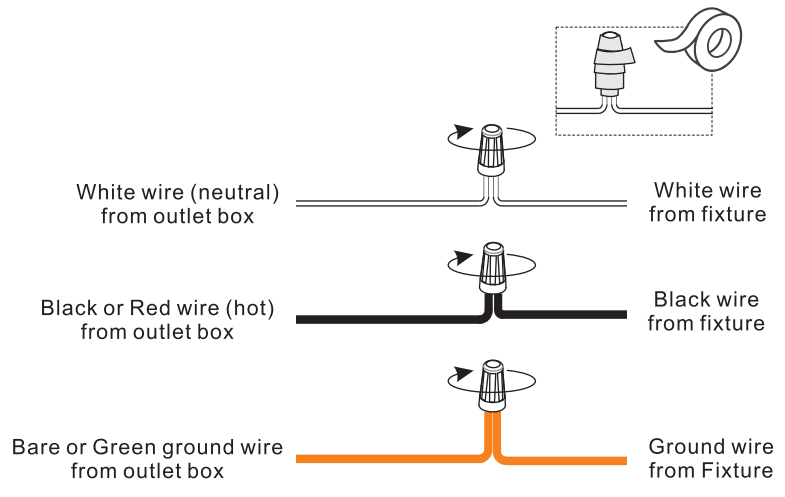
3



Step 4
Drill Holes

4

STEP 4



STEP 5

