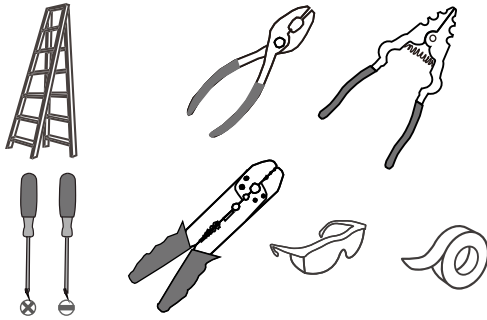
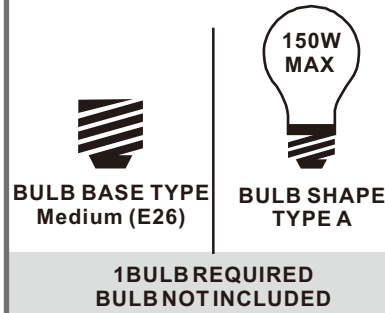


Tools Required



Light Source



Fixture Height Adjustable 23.5" to 119.5"

⚠ Warnings and Cautions

Turn off the electricity at the circuit breaker before installation. Consult a licensed electrician if in doubt about installation.

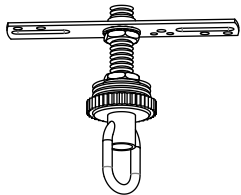
Turn off power to the fixture and allow the bulbs to cool before replacing.

Package Contents

Preparation: Identify and inspect all parts before beginning the installation.

Missing or damaged parts? Contact your original place of purchase.

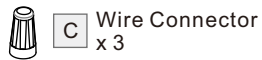
PARTS BAG



A Crossbar Assembly
x 1



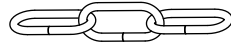
B Outlet Box Screw
x 2



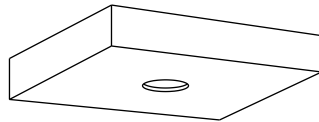
C Wire Connector
x 3



D Quick Link
x 1



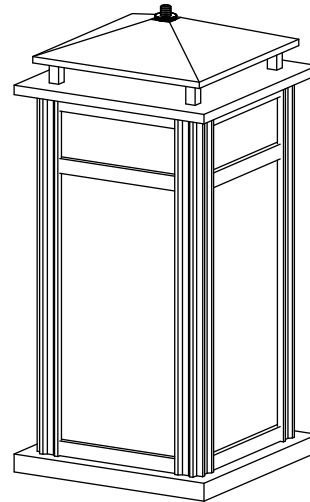
E Fixture Chain
x 1



F Ceiling Canopy
x 1



G Fixture Loop
x 1



H Fixture Body
x 1

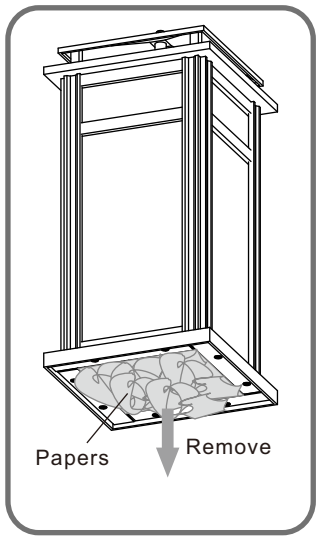
Table of Contents

Fixture loop	Crossbar Assembly	Fixture Chain	Wiring	Ceiling Canopy	Bulb
STEP 1	STEP 2	STEP 3	STEP 4	STEP 5	STEP 6

STEP 1

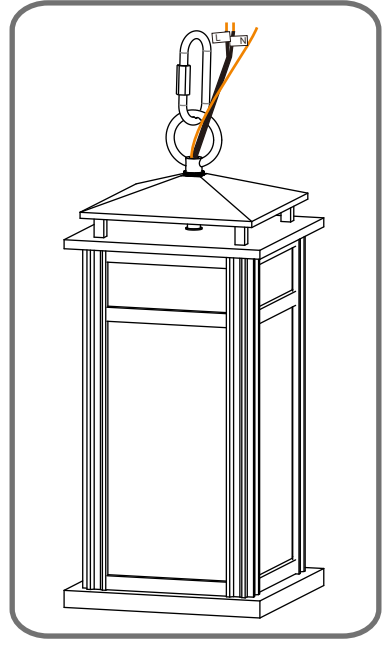
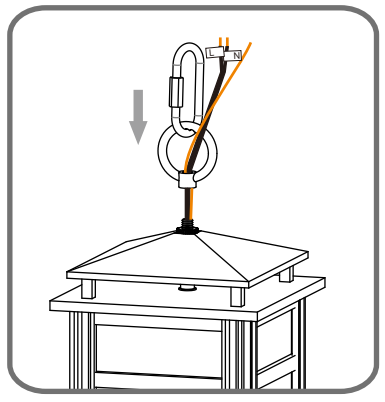
1

Remove papers inside of the cage



2

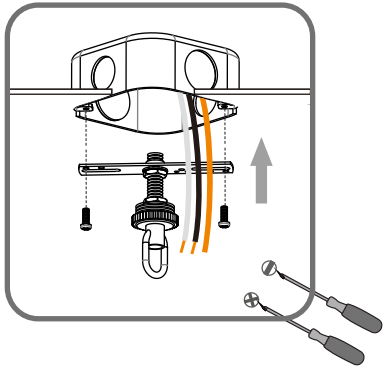
Install fixture loop



STEP 2

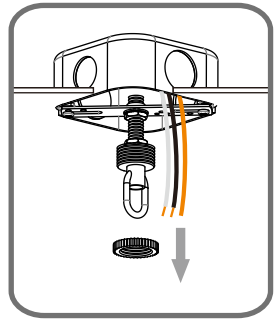
1

**Step 1
Install crossbar assembly**

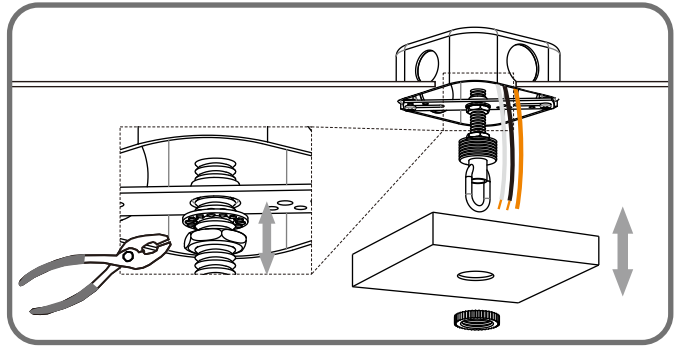


2

**Step 2 - 3
Test fitting ceiling canopy to nipple**



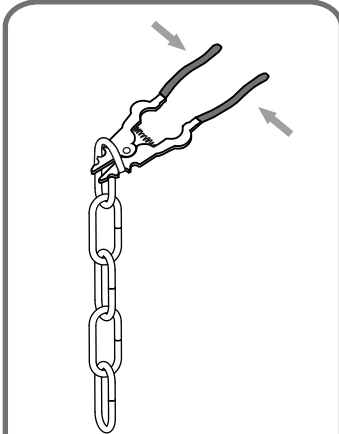
3



STEP 3

1

Step 1
Adjust fixture chain length

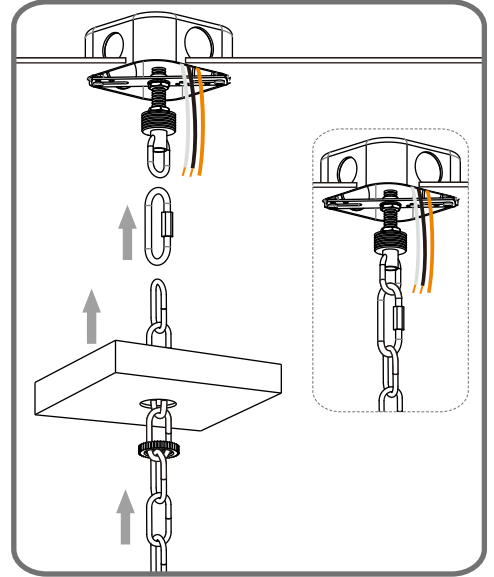
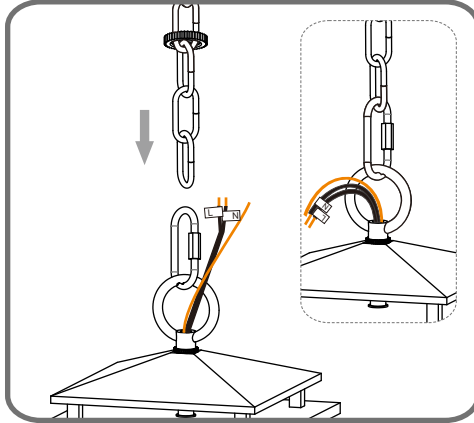


Suggested Chain Length:

- 8' ceiling: 12.5" Chain
- 9' ceiling: 23.5" Chain
- 10' ceiling: 34.5" Chain

2

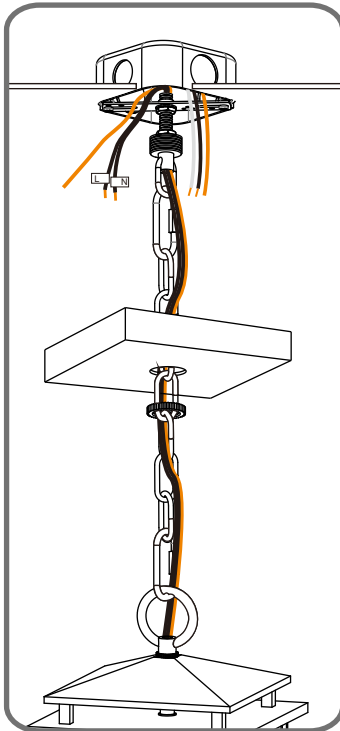
Step 2 - 3
Install Fixture Chain



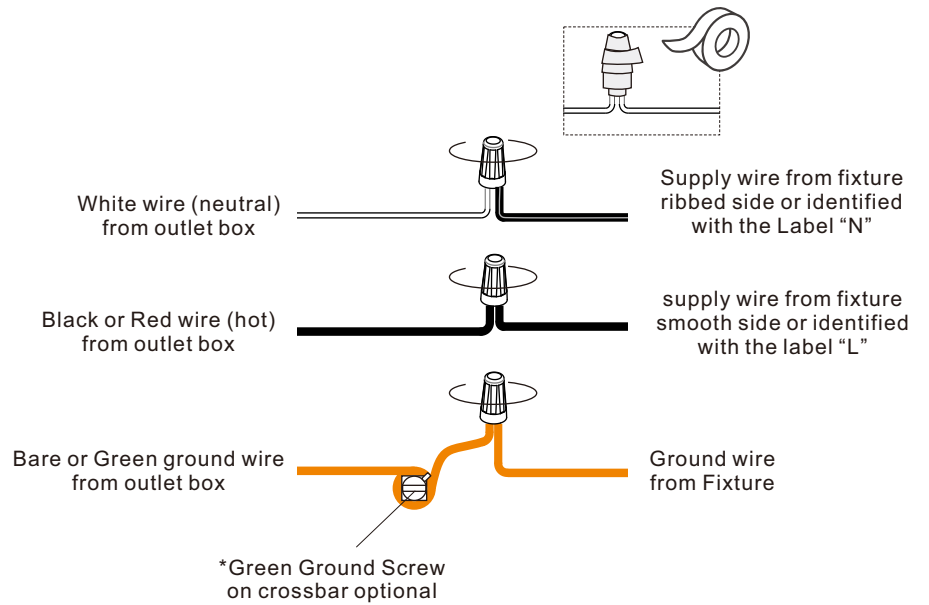
STEP 4

1

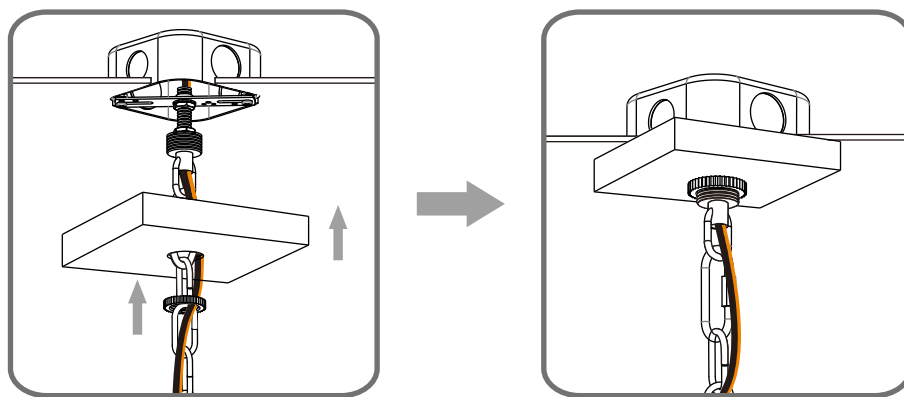
Step 1
Feed the fixture wires through the loop



2



STEP 5



STEP 6

