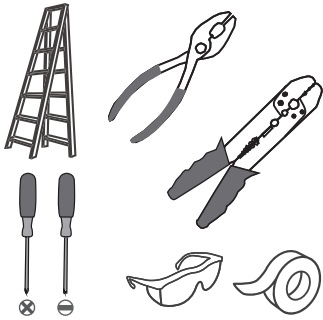
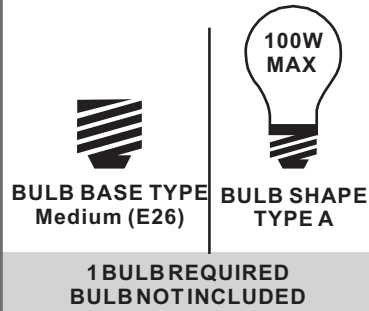


### Tools Required



### Light Source



### Warnings and Cautions

Turn off the electricity at the circuit breaker before installation. Consult a licensed electrician if in doubt about installation.

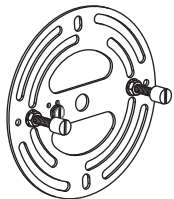
Turn off power to the fixture and allow the bulbs to cool before replacing.

### Package Contents

**Preparation:** Identify and inspect all parts before beginning the installation.

Missing or damaged parts? Contact your original place of purchase.

#### PARTS BAG



**A** Crossbar Assembly  
x 1



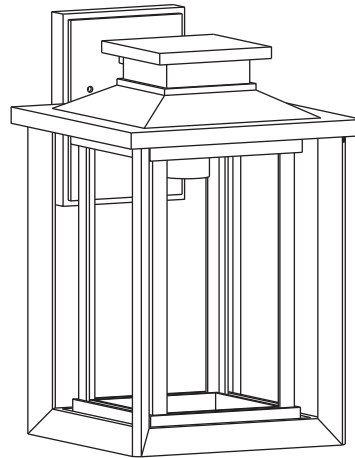
**C** Outlet Box Screw  
x 2



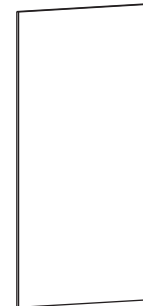
**B** Alternate Mounting Screw  
x 2



**D** Wire Connector  
x 3



**E** Fixture Body  
x 1



**F** Glass Panel  
x 4

### Table of Contents

#### Alternate Mounting Screw



STEP 1

#### Crossbar Assembly



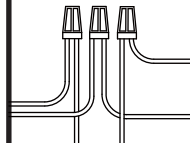
STEP 2

#### Glass Panel



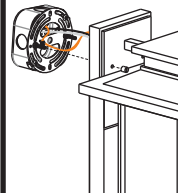
STEP 3

#### Wiring



STEP 4

#### Fixture Body



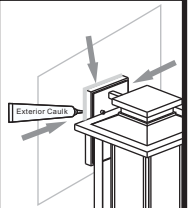
STEP 5

#### Bulb



STEP 6

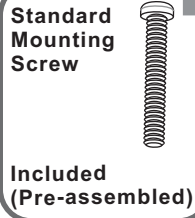
#### Caulk



STEP 7

# STEP 1

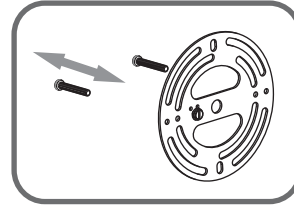
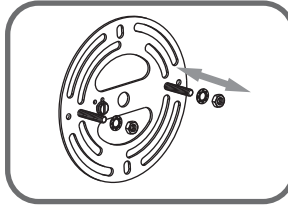
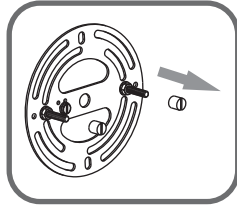
OPTION 1



skip to next page

1 2 3

Steps 1-3 to remove standard mounting screws



OPTION 2



Steps 4-6 to reassemble with alternate mounting screws

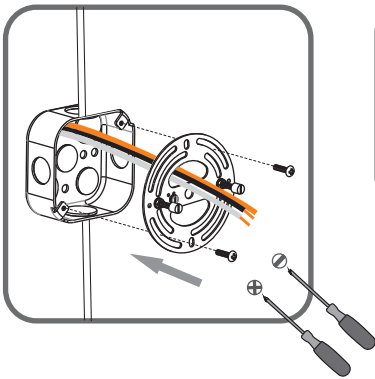
6

5

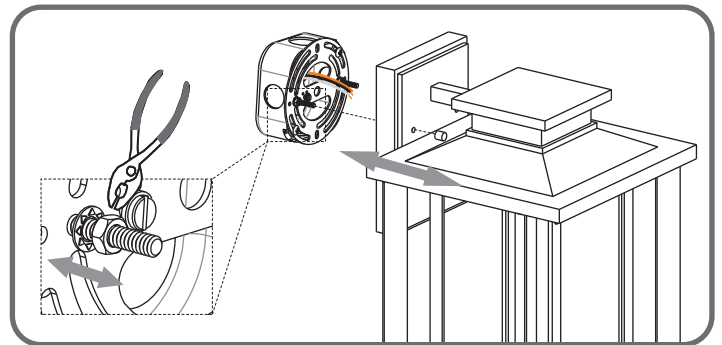
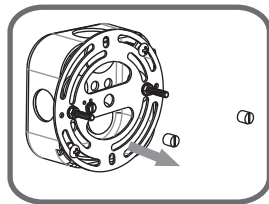
# STEP 2

1 2 3

Step 2  
Install crossbar assembly



Step 2 - 3  
Test fitting backplate to mounting screws



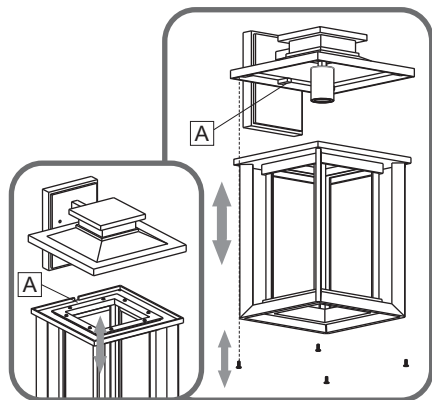
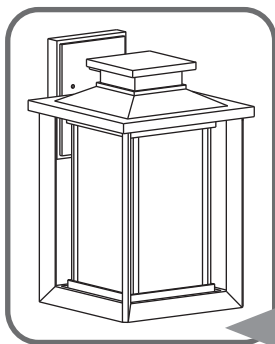
# STEP 3

1 2 3

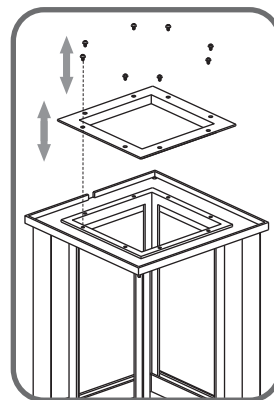
Remove cage

Remove glass panel holder

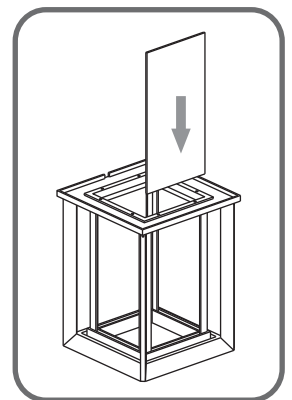
Install glass panel



Install cage



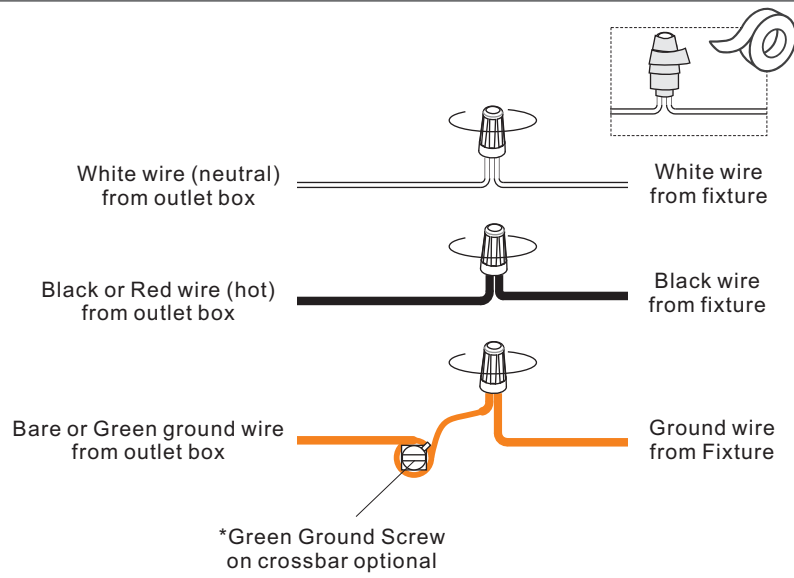
Install glass panel holder



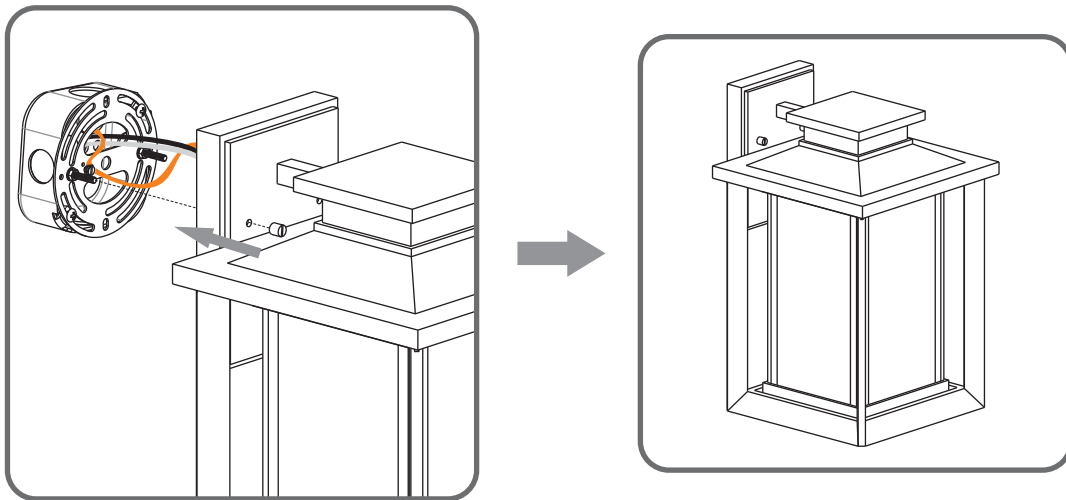
5

4

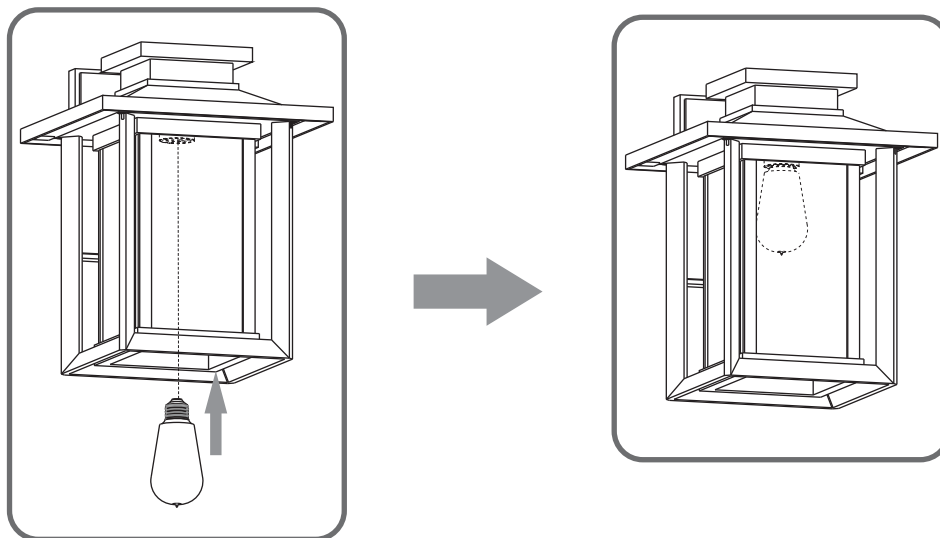
## STEP 4



## STEP 5



## STEP 6



**STEP 7**

