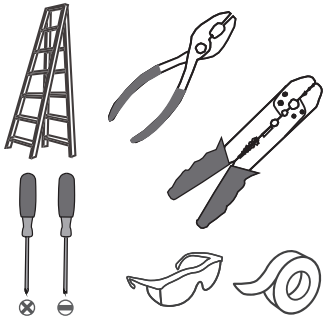
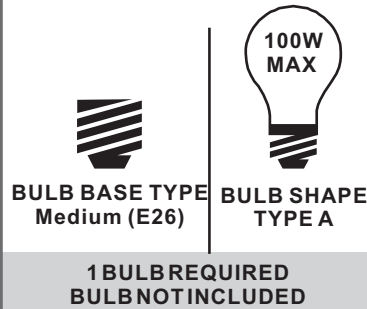


### Tools Required



### Light Source



### Warnings and Cautions

Turn off the electricity at the circuit breaker before installation. Consult a licensed electrician if in doubt about installation.

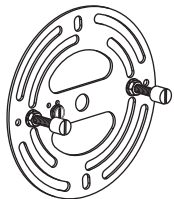
Turn off power to the fixture and allow the bulbs to cool before replacing.

### Package Contents

**Preparation:** Identify and inspect all parts before beginning the installation.

Missing or damaged parts? Contact your original place of purchase.

#### PARTS BAG



**A** Crossbar Assembly  
x 1



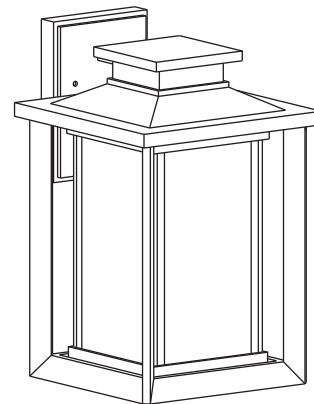
**C** Outlet Box Screw  
x 2



**B** Alternate Mounting Screw  
x 2



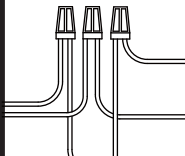
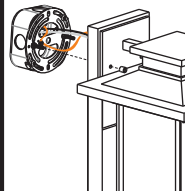

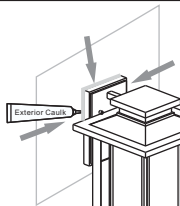


**D** Wire Connector  
x 3



**E** Fixture Body  
x 1


### Table of Contents

Alternate Mounting Screw	Crossbar Assembly	Wiring	Fixture Body	Bulb	Caulk
					
STEP 1	STEP 2	STEP 3	STEP 4	STEP 5	STEP 6

**STEP 1**

**OPTION 1**

**Standard Mounting Screw**




**Included (Pre-assembled)**

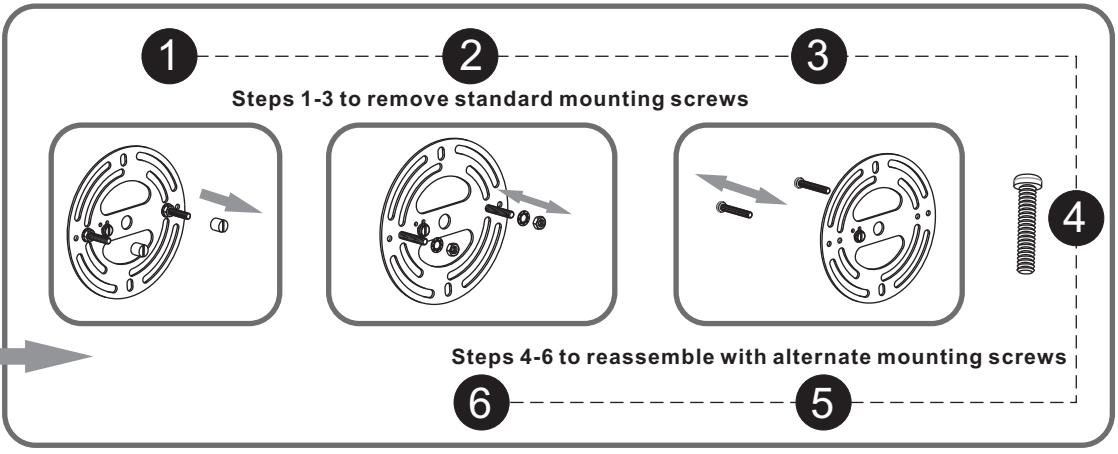
skip to next page

**OPTION 2**

**Alternate Mounting Screw**



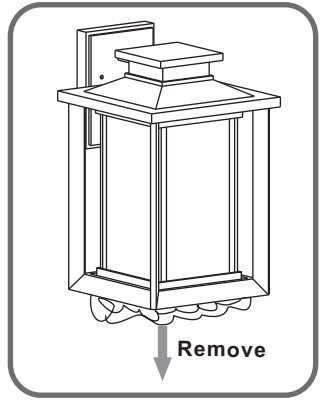
**Included**



**STEP 2**

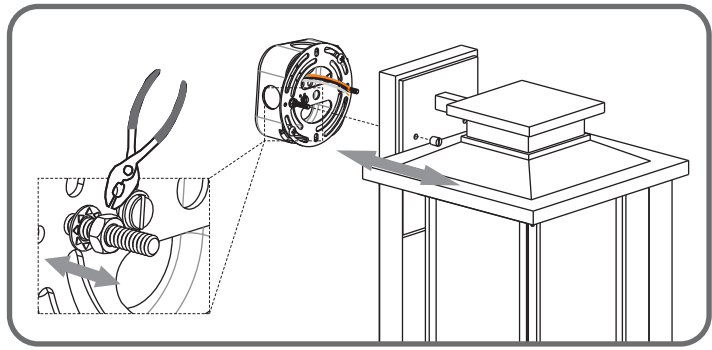
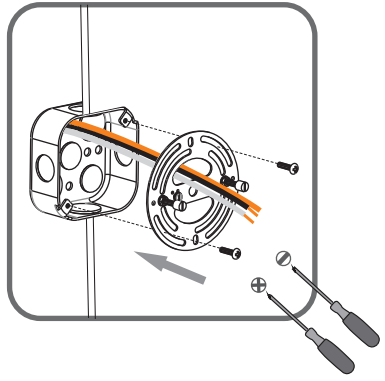
**1**

**Step 1**  
Remove paper inside of cage



**2**

**Step 2**  
Install crossbar assembly

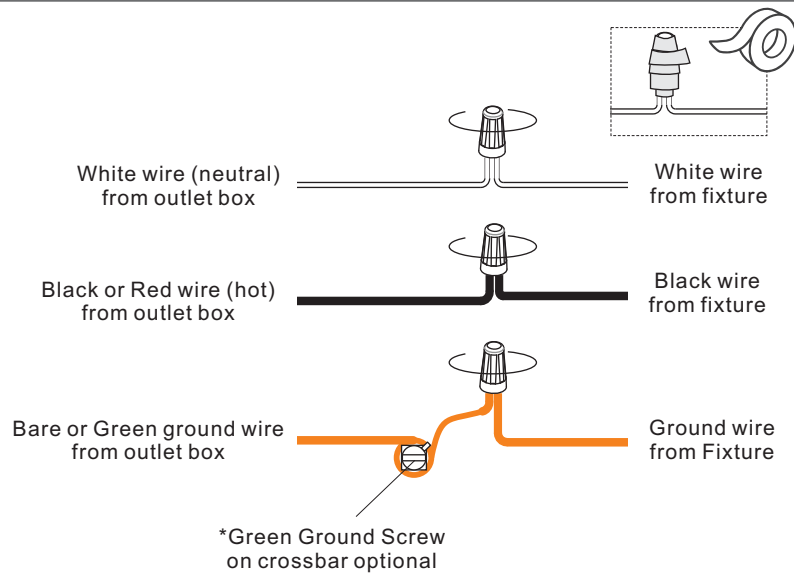


**Step 3 - 4**  
Test fitting backplate to mounting screws

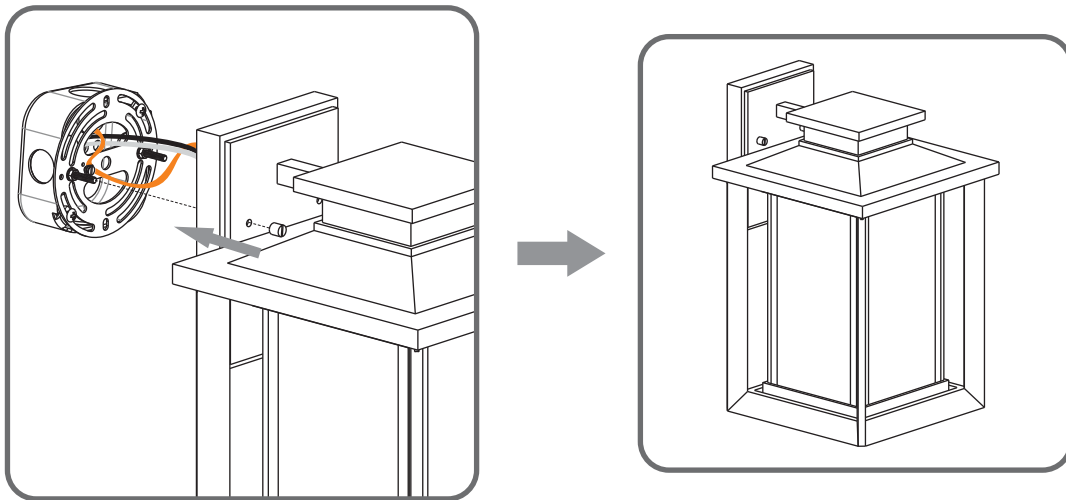
**4**

**3**

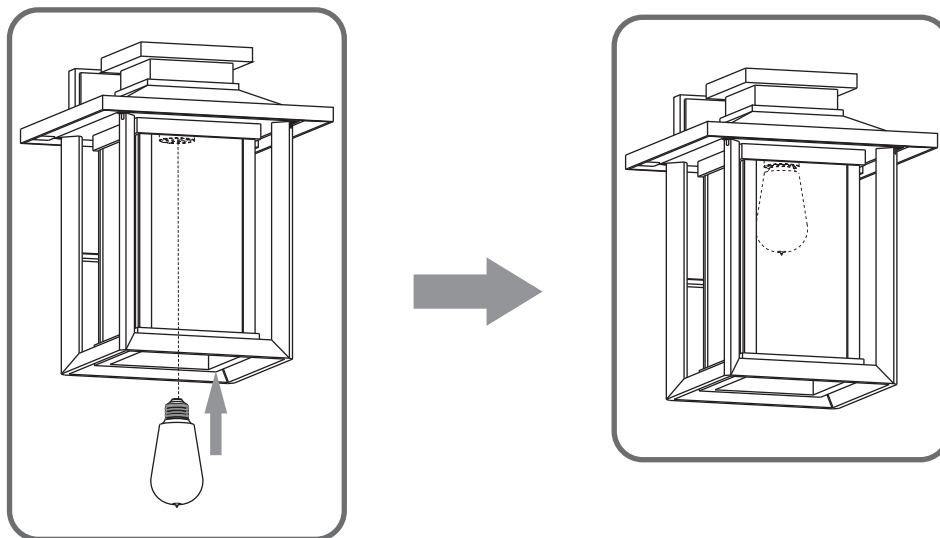
### STEP 3



### STEP 4



### STEP 5



**STEP 6**

