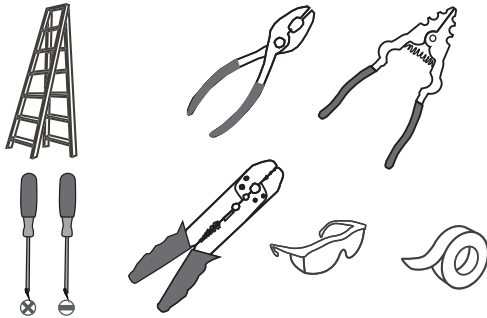
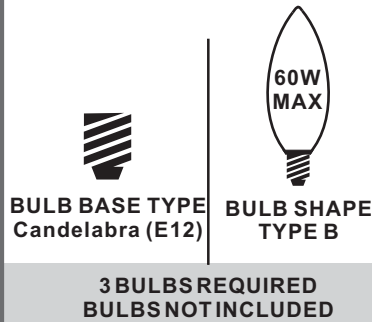


Tools Required



Light Source



Fixture Height Adjustable 24.75" to 120.75"

⚠ Warnings and Cautions

Turn off the electricity at the circuit breaker before installation. Consult a licensed electrician if in doubt about installation.

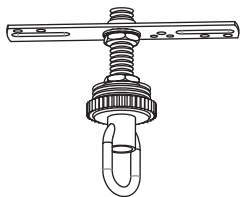
Turn off power to the fixture and allow the bulbs to cool before replacing.

Package Contents

Preparation: Identify and inspect all parts before beginning the installation.

Missing or damaged parts? Contact your original place of purchase.

PARTS BAG



A Crossbar Assembly
x 1



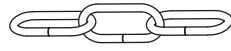
B Outlet Box Screw
x 2



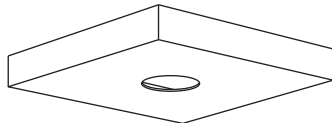
C Wire Connector
x 3



D Quick Link
x 1



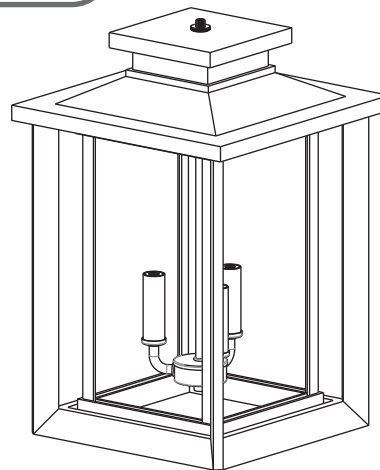
E Fixture Chain
x 1



F Ceiling Canopy
x 1



G Fixture Loop
x 1



H Fixture Body
x 1

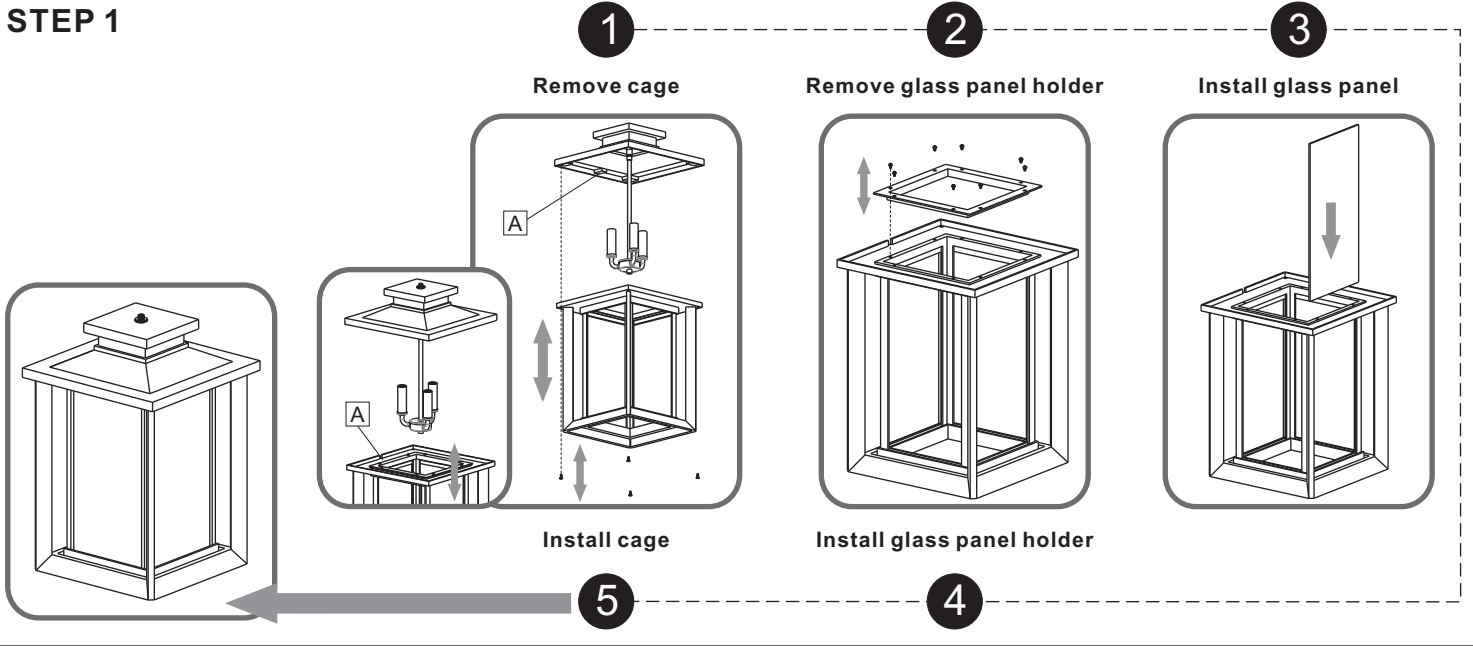


I Glass Panel
x 4

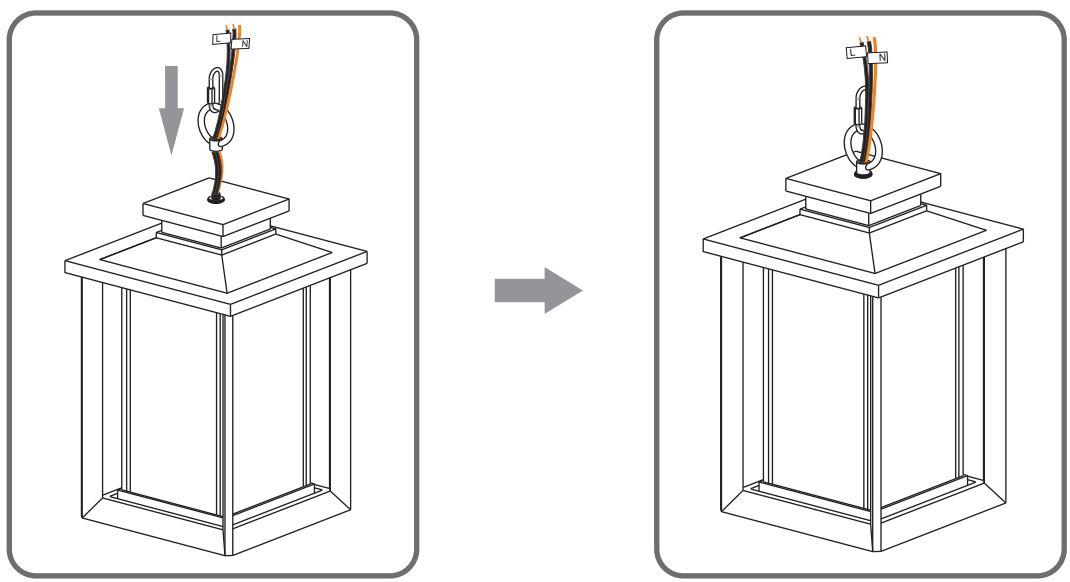
Table of Contents

| Glass Panel | Fixture Loop | Crossbar Assembly | Fixture Chain | Wiring | Ceiling Canopy | Bulb |
|-------------|--------------|-------------------|---------------|--------|----------------|--------|
| | | | | | | |
| STEP 1 | STEP 2 | STEP 3 | STEP 4 | STEP 5 | STEP 6 | STEP 7 |

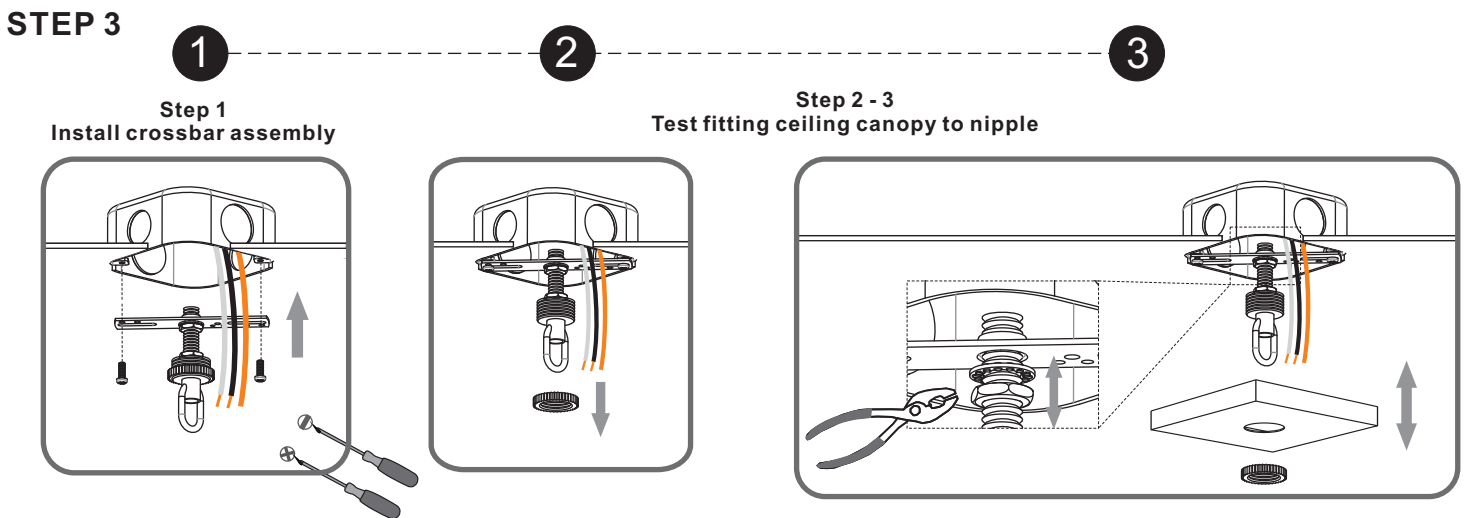
STEP 1



STEP 2



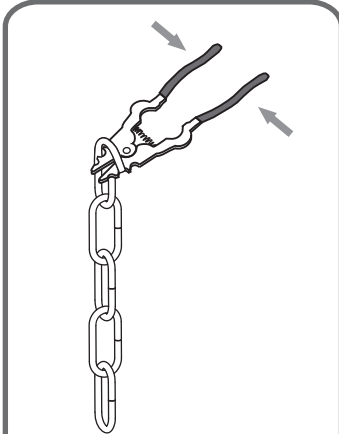
STEP 3



STEP 4

1

Step 1
Adjust fixture chain length

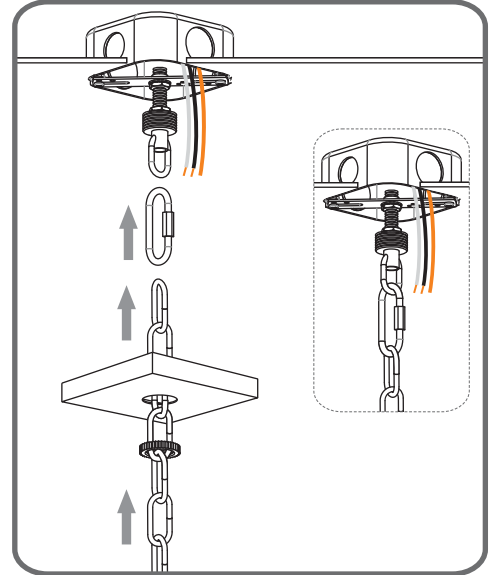
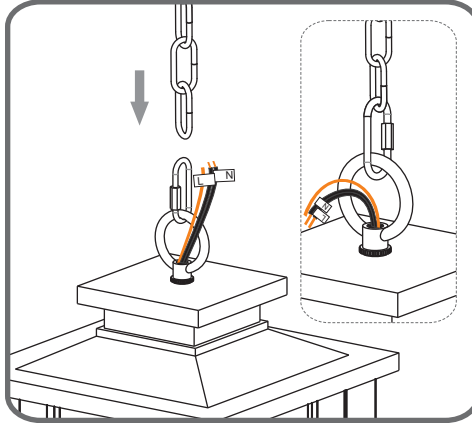


Suggested Chain Length:

8' ceiling: 11" Chain
9' ceiling: 23" Chain
10' ceiling: 35" Chain

2

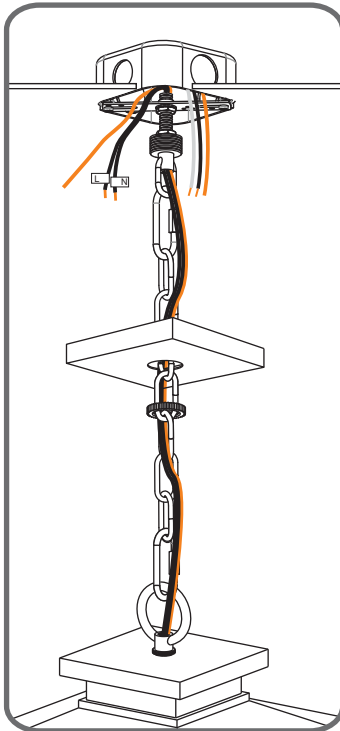
Step 2 - 3
Install Fixture Chain



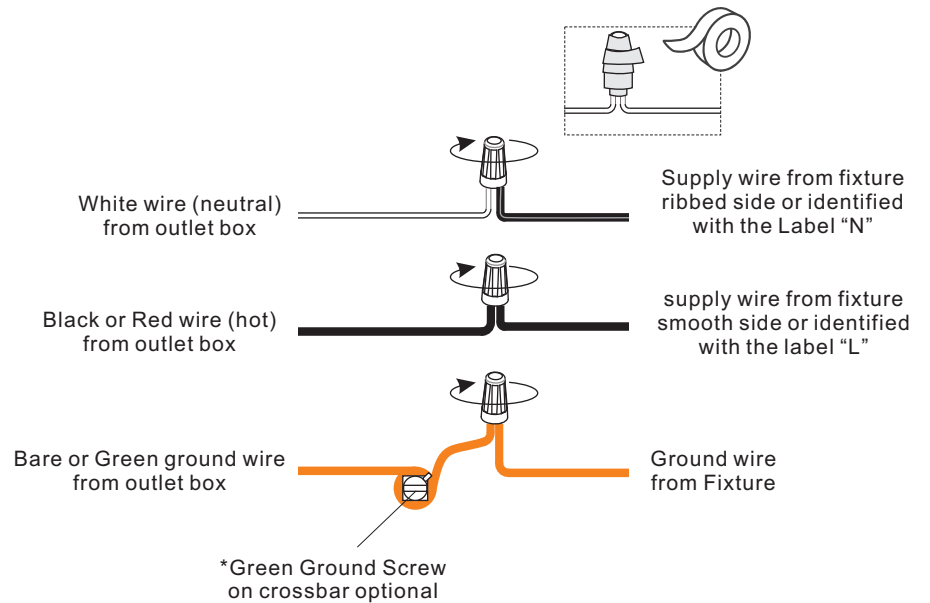
STEP 5

1

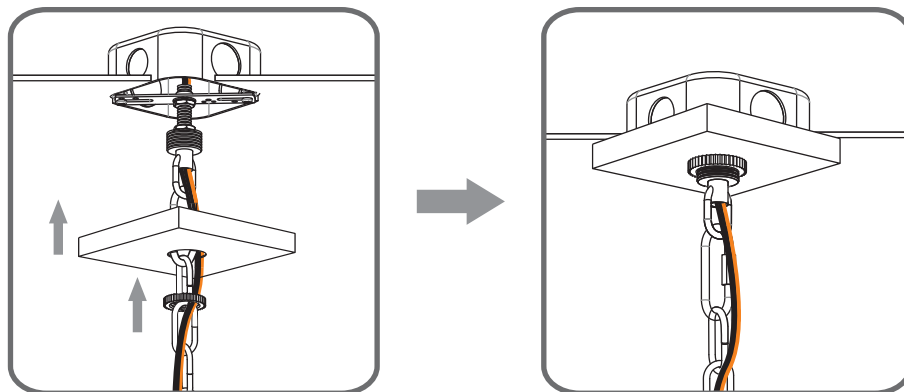
Step 1
Feed the fixture wires
through the loop



2



STEP 6



STEP 7

