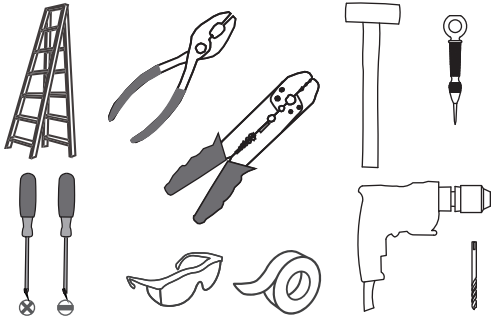
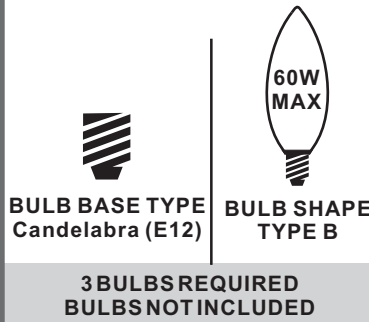


Tools Required



Light Source



Warnings and Cautions

Turn off the electricity at the circuit breaker before installation. Consult a licensed electrician if in doubt about installation.

Turn off power to the fixture and allow the bulbs to cool before replacing.

Package Contents

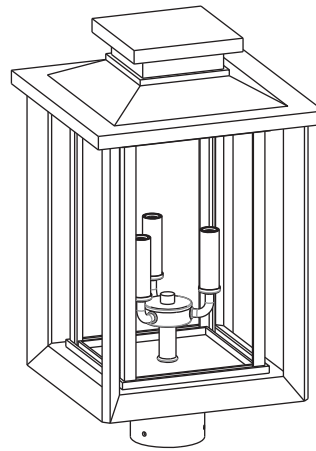
Preparation: Identify and inspect all parts before beginning the installation.

Missing or damaged parts? Contact your original place of purchase.

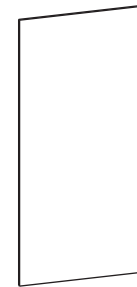
PARTS BAG

A Mounting Screw
x 3

B Wire Connector
x 3

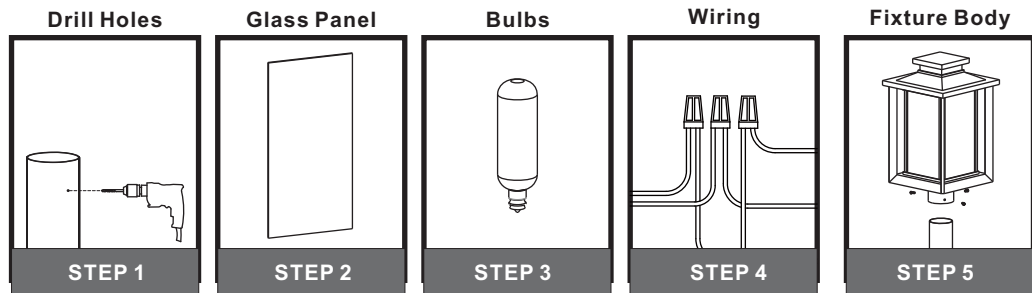


C Fixture Body
x 1



D Glass Panel
x 4

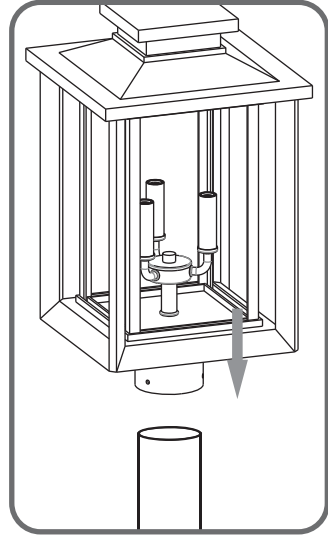
Table of Contents



STEP 1

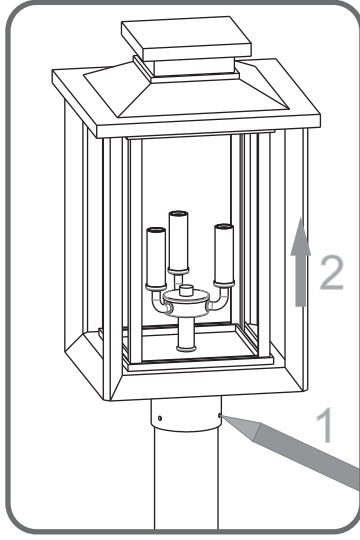
1

Step 1
Place Post Fitter to Post

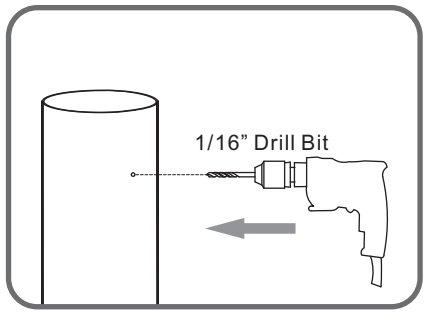
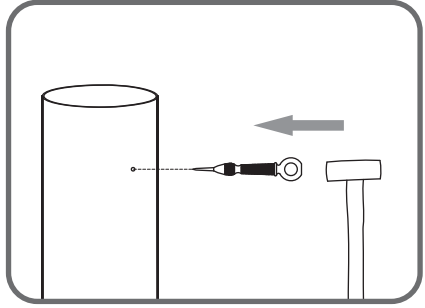


2

Step 2-3
Mark Mounting Holes Location on Post



3



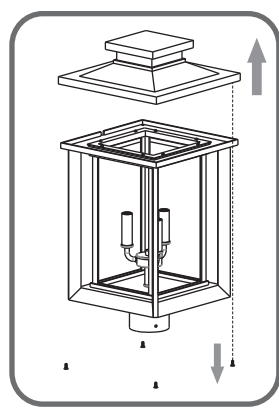
Step 4
Drill Holes

4

STEP 2

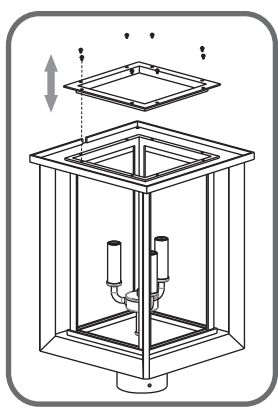
1

Remove fixture hood



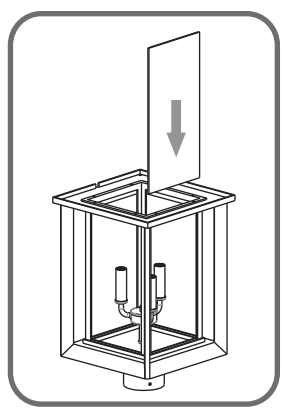
2

Remove glass panel holder



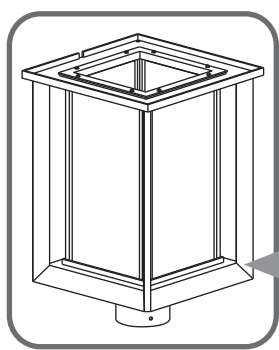
3

Install glass panel



Install glass panel holder

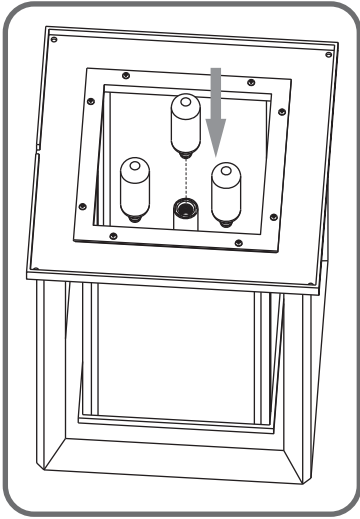
4



STEP 3

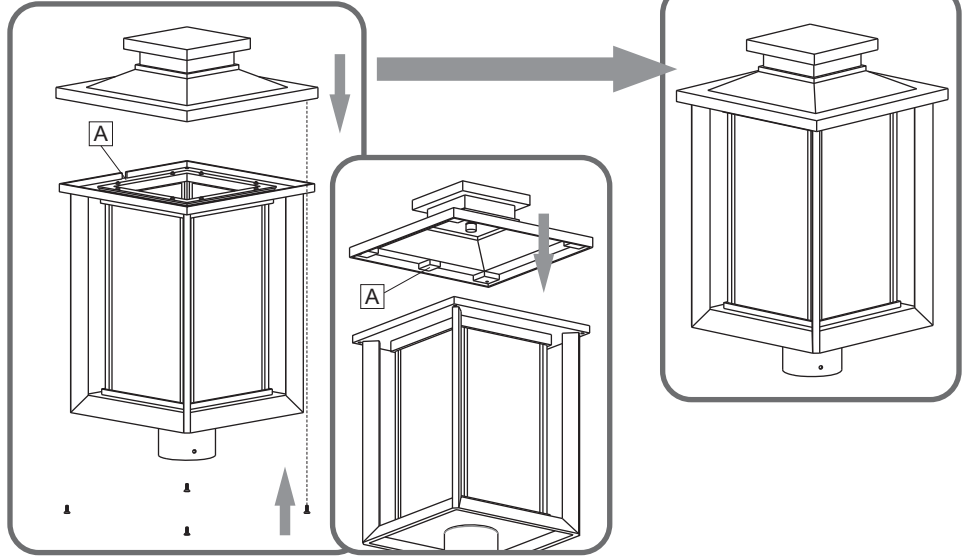
1

Install bulbs

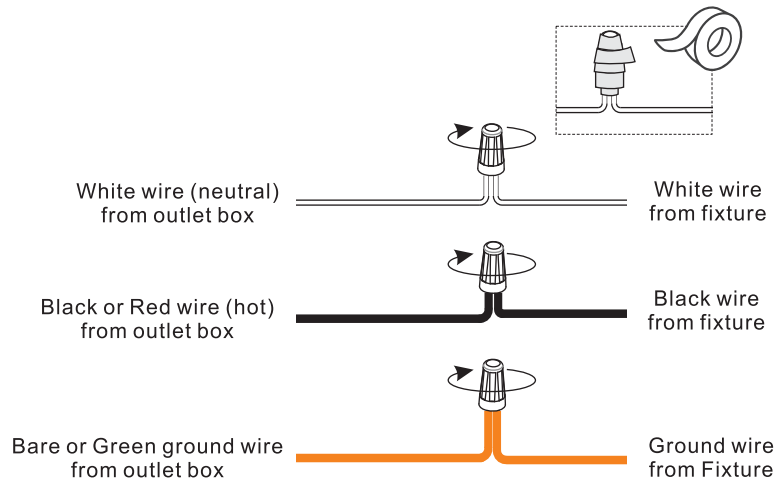


2

Install fixture hood



STEP 4



STEP 5

