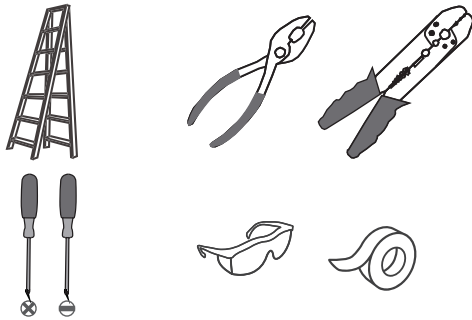
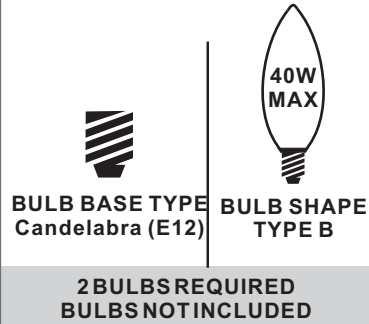


Tools Required



Light Source



Warnings and Cautions

Turn off the electricity at the circuit breaker before installation. Consult a licensed electrician if in doubt about installation.

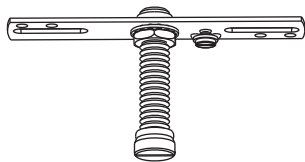
Turn off power to the fixture and allow the bulbs to cool before replacing.

Package Contents

Preparation: Identify and inspect all parts before beginning the installation.

Missing or damaged parts? Contact your original place of purchase.

PARTS BAG



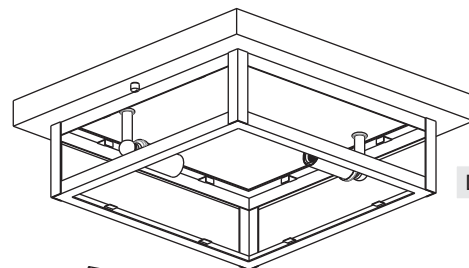
A Crossbar Assembly x 1



B Outlet Box Screw x 2



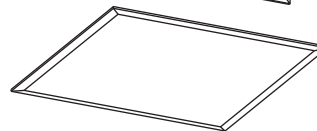
C Wire Connector x 3



D Fixture Body x 1



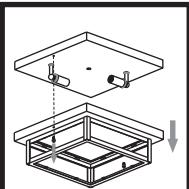
E Side Glass Panel x 4



F Square Glass Panel x 1

Table of Contents

Separate Cage



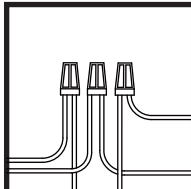
STEP 1

Crossbar Assembly



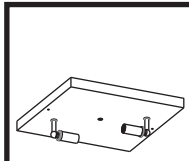
STEP 2

Wiring



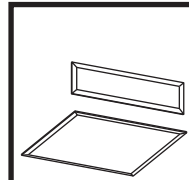
STEP 3

Fixture Body



STEP 4

Glass Panels



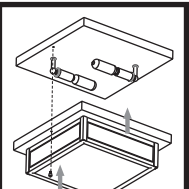
STEP 5

Bulb



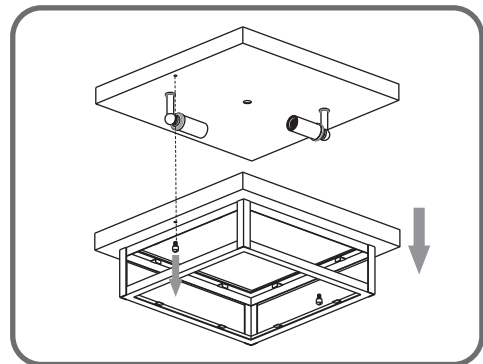
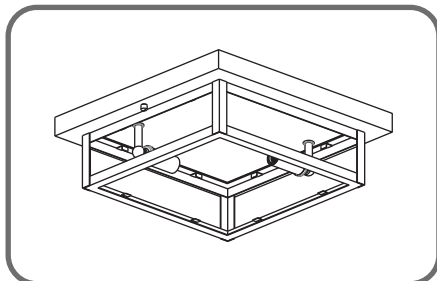
STEP 6

Cage



STEP 7

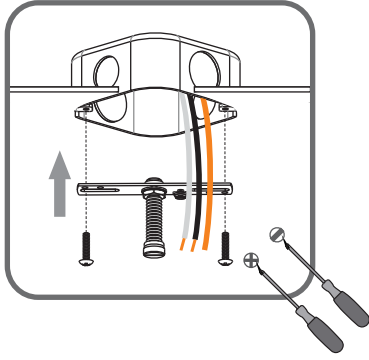
STEP 1



STEP 2

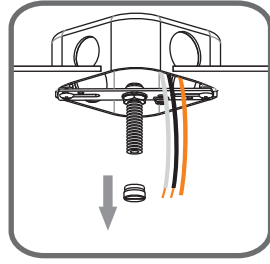
1

Step 1
Install crossbar assembly

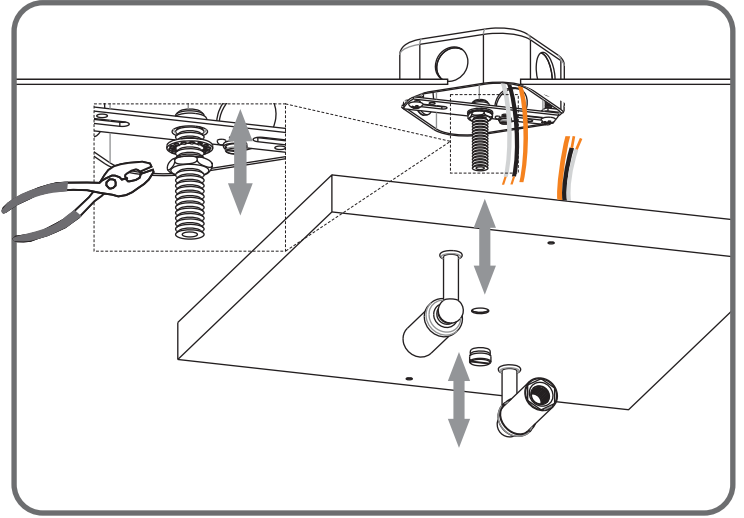


2

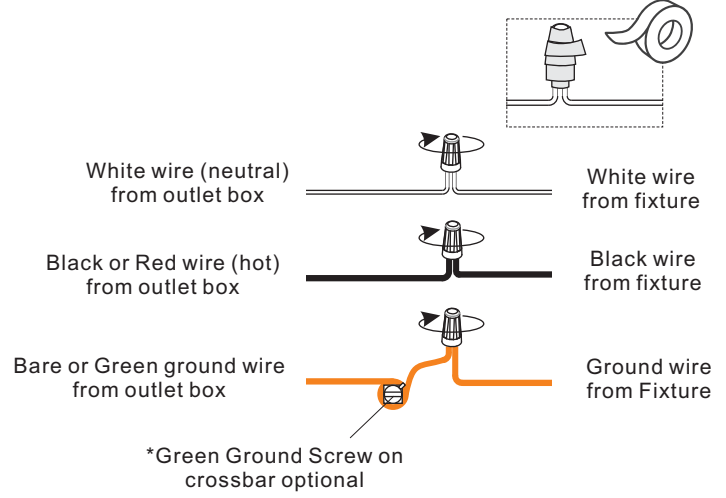
Step 2 - 3
Test fitting ceiling canopy to nipple



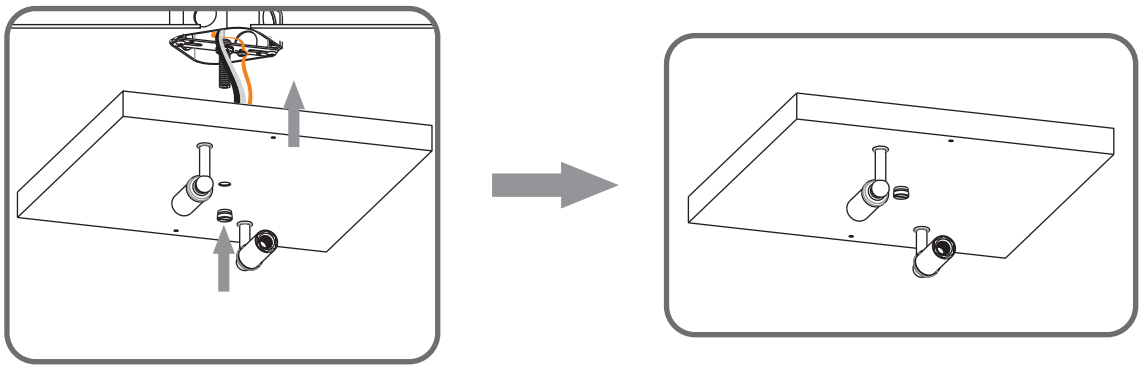
3



STEP 3



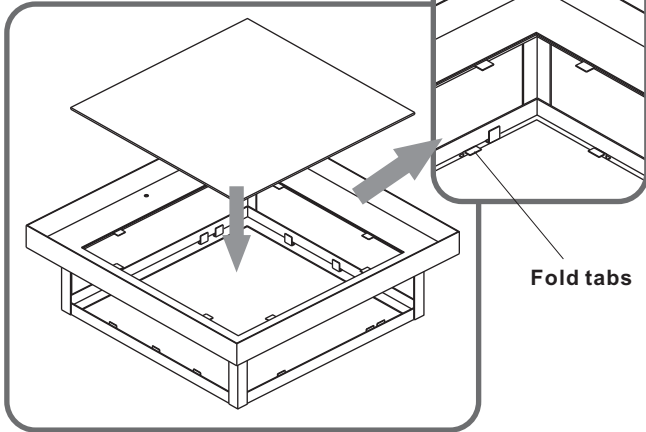
STEP 4



STEP 5

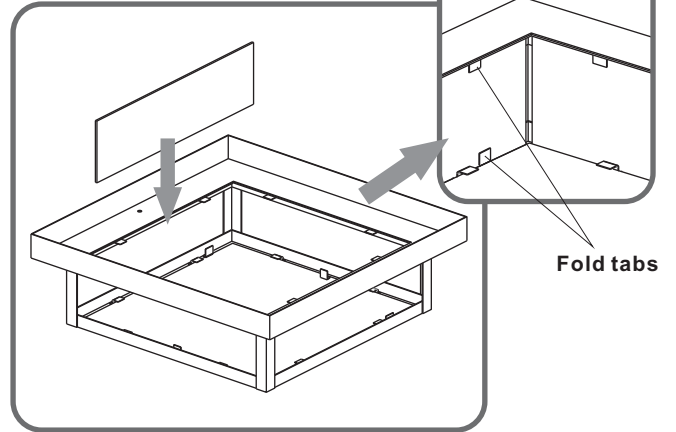
1

Install square glass panel

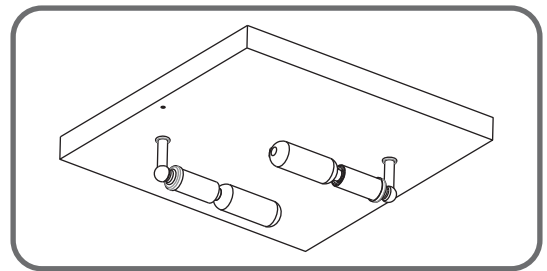
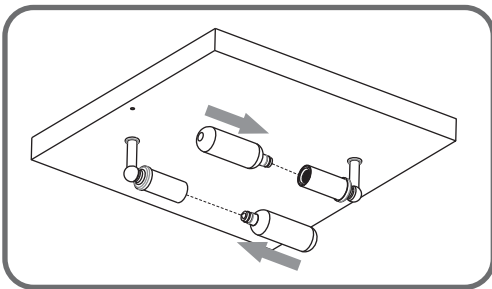


2

Install side glass panel



STEP 6



STEP 7

