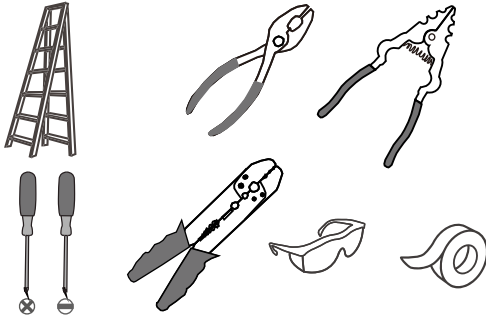
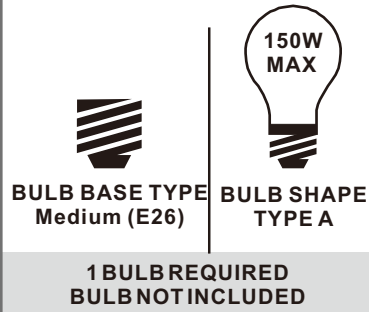


Tools Required



Light Source



Fixture Height Adjustable 25.75" to 121.75"

⚠ Warnings and Cautions

Turn off the electricity at the circuit breaker before installation. Consult a licensed electrician if in doubt about installation.

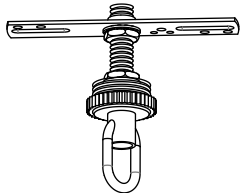
Turn off power to the fixture and allow the bulbs to cool before replacing.

Package Contents

Preparation: Identify and inspect all parts before beginning the installation.

Missing or damaged parts? Contact your original place of purchase.

PARTS BAG



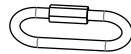
A Crossbar Assembly x 1



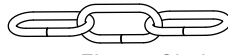
B Outlet Box Screw x 2



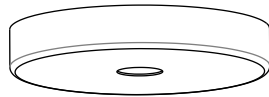
C Wire Connector x 3



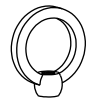
D Quick Link x 2



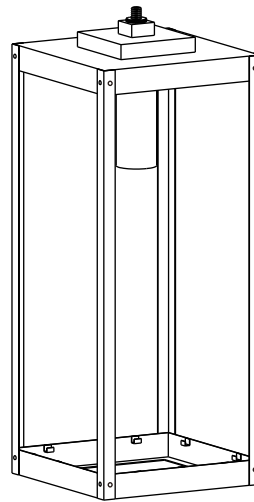
E Fixture Chain x 1



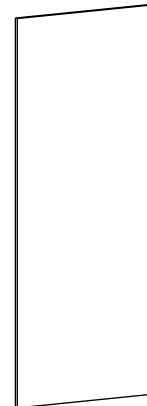
F Ceiling Canopy x 1



G Fixture Loop x 1



H Fixture Body x 1



I Glass Panel x 4

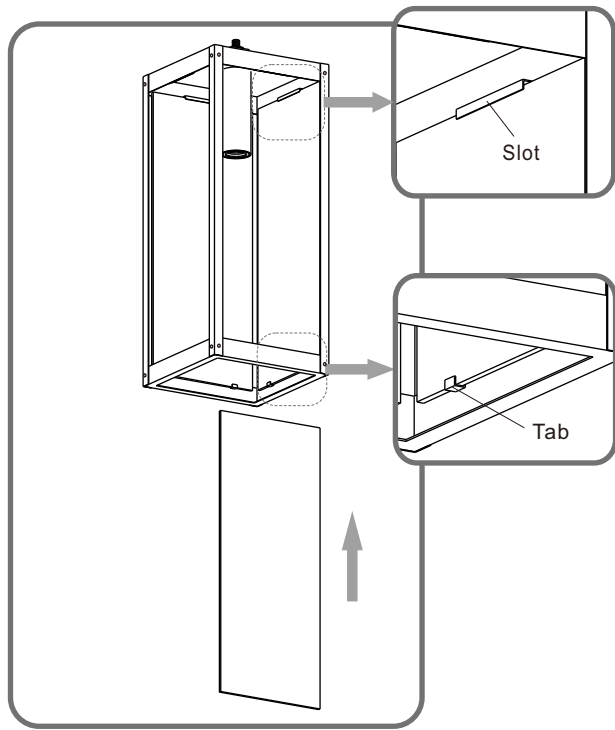
Table of Contents

Glass Panels & Fixture Loop	Crossbar Assembly	Fixture Chain	Wiring	Ceiling Canopy	Bulb
STEP 1	STEP 2	STEP 3	STEP 4	STEP 5	STEP 6

STEP 1

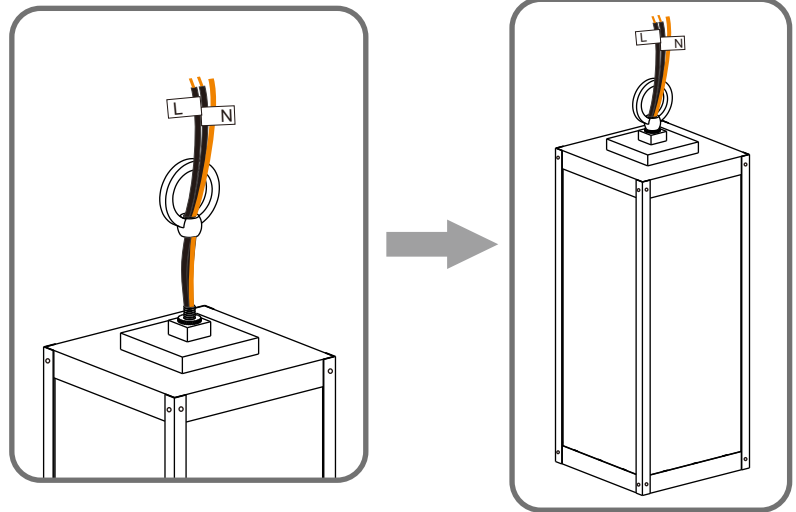
1

Install Glass Panel



2

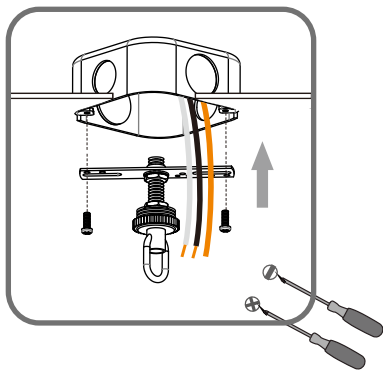
Install Fixture Loop



STEP 2

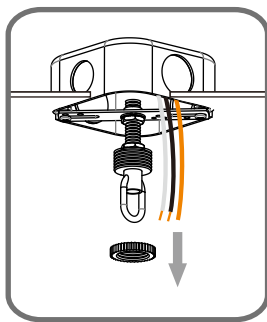
1

Step 1
Install crossbar assembly

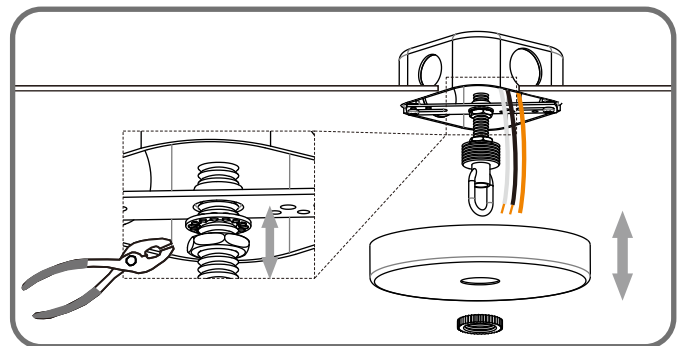


2

Step 2 - 3
Test fitting ceiling canopy to nipple



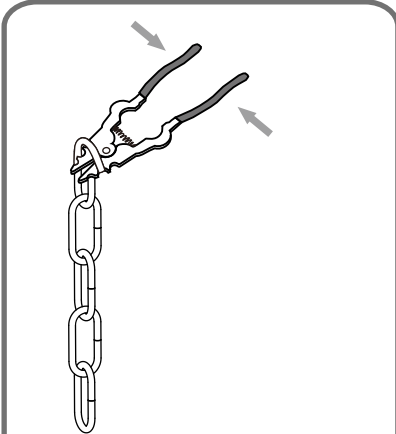
3



STEP 3

1

Step 1
Adjust fixture chain length

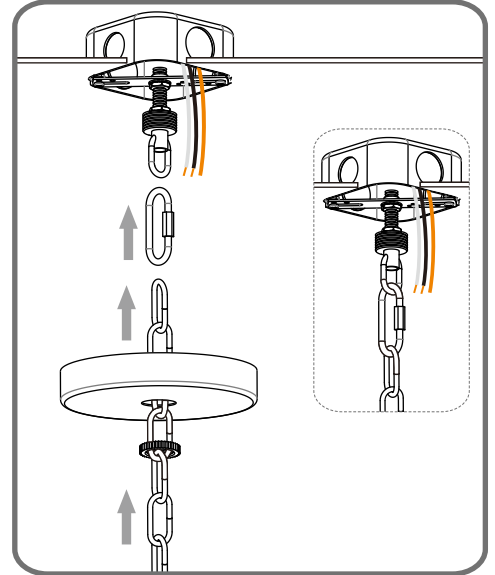
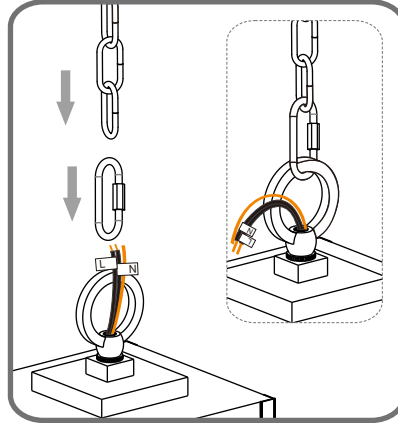


Suggested Chain Length:

- 8' ceiling: 10.25" Chain
- 9' ceiling: 21.25" Chain
- 10' ceiling: 32.25" Chain

2

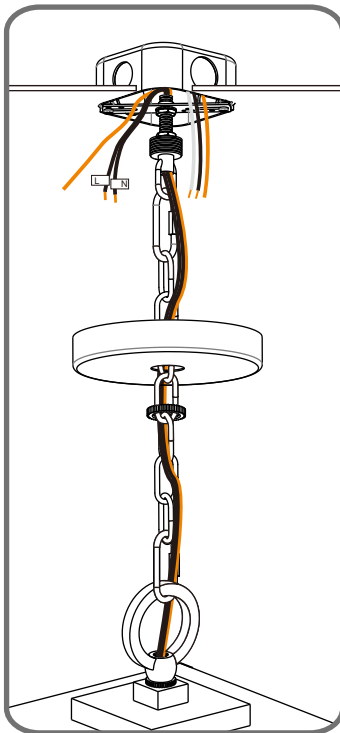
Step 2 - 3
Install Fixture Chain



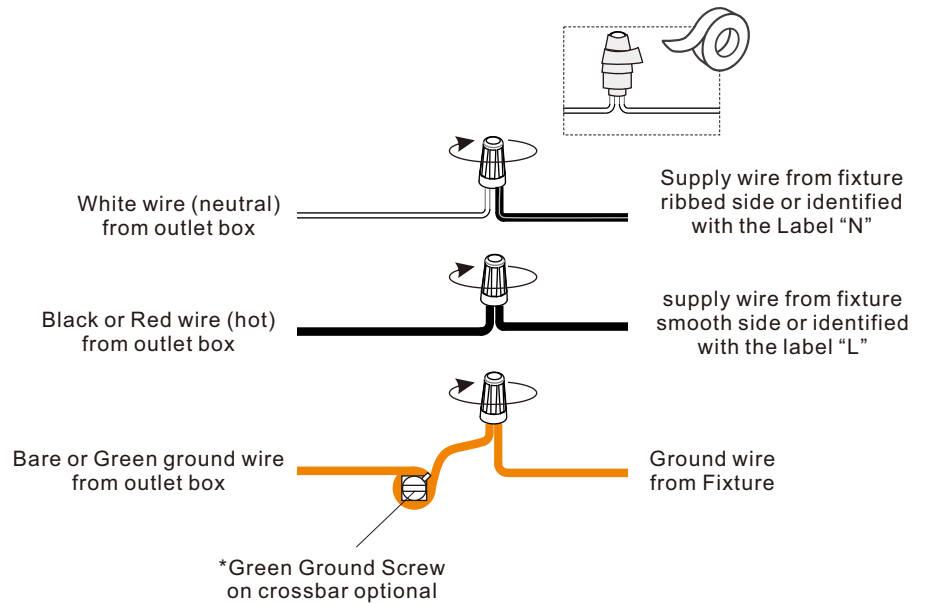
STEP 4

1

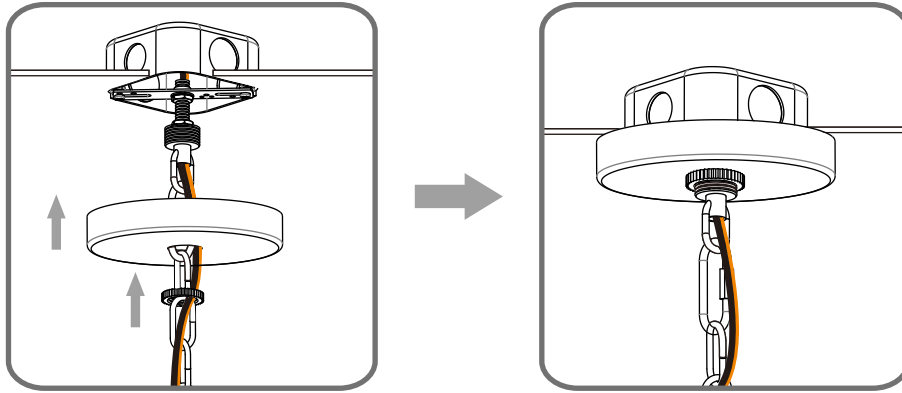
Step 1
Feed the fixture wires
through the loop



2



STEP 5



STEP 6

