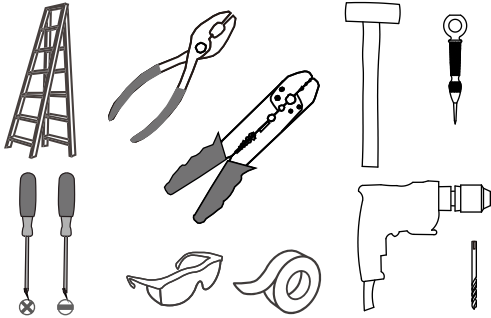
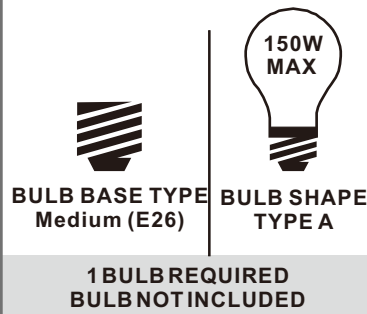


Tools Required



Light Source



Warnings and Cautions

Turn off the electricity at the circuit breaker before installation. Consult a licensed electrician if in doubt about installation.


Turn off power to the fixture and allow the bulbs to cool before replacing.


Package Contents

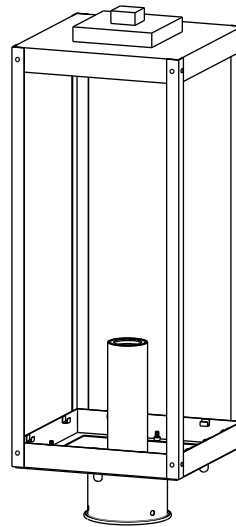
Preparation: Identify and inspect all parts before beginning the installation.

Missing or damaged parts? Contact your original place of purchase.

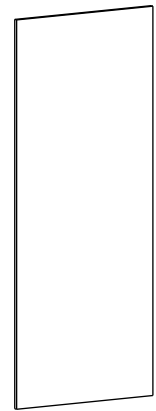
PARTS BAG

 **A** Mounting Screw x 3

 **B** Wire Connector x 3



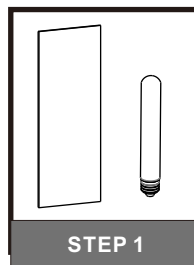
C Fixture Body x 1



D Glass Panel x 4

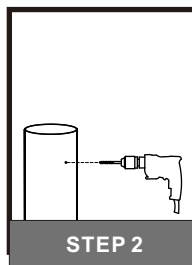
Table of Contents

Glass Panel & Bulb



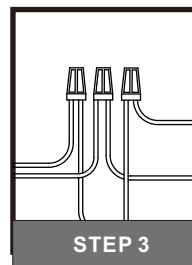
STEP 1

Drill Holes



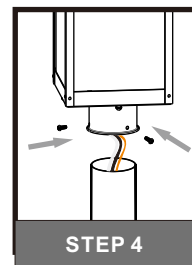
STEP 2

Wiring



STEP 3

Fixture Body

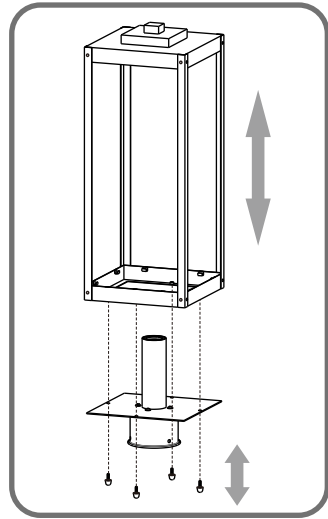


STEP 4

STEP 1

1

Remove the Cage

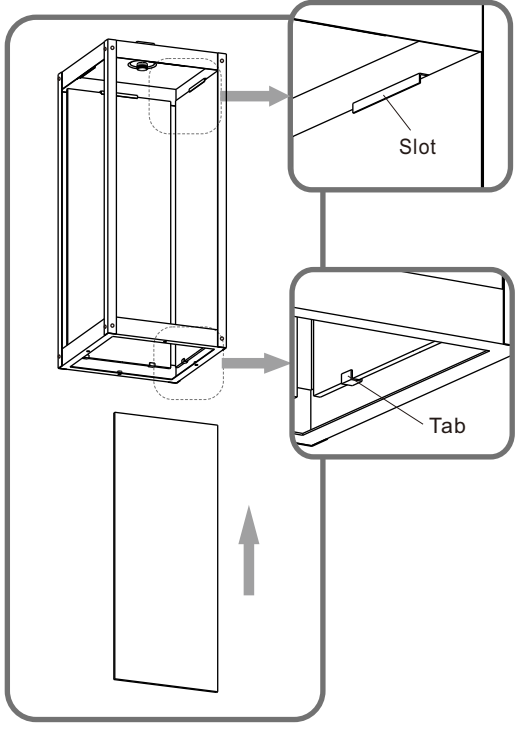


Re-install the Cage

4

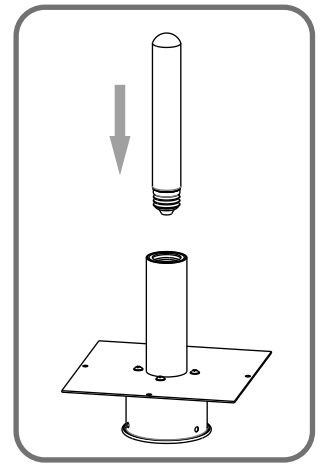
2

Install Glass Panel



3

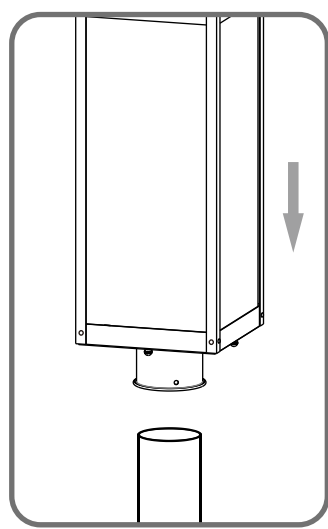
Install Bulb



STEP 2

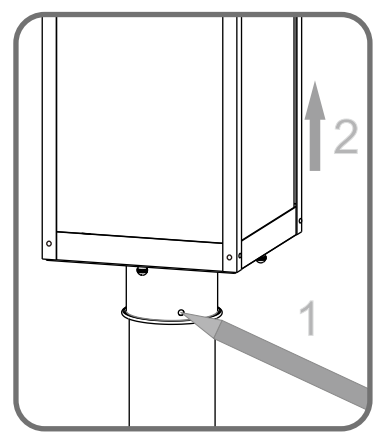
1

Step 1
Place Post Fitter to Post

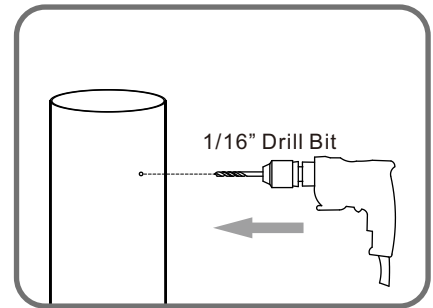
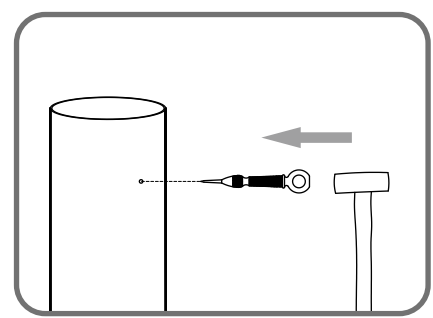


2

Step 2-3
Mark Mounting Holes Location on Post



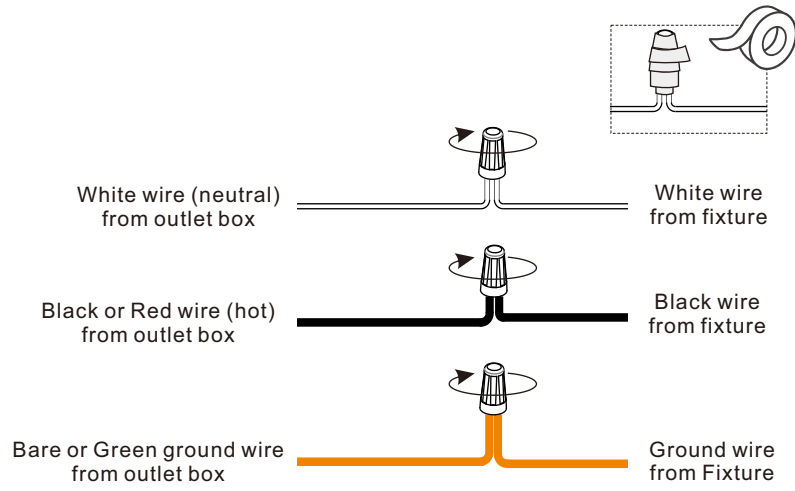
3



Step 4
Drill Holes

4

STEP 3



STEP 4

