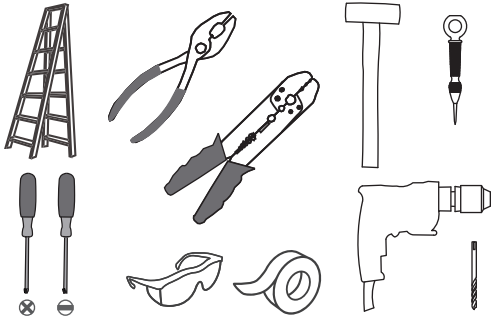
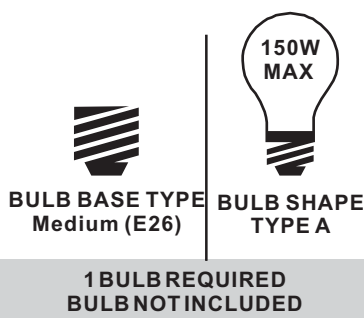


### Tools Required



### Light Source



### Warnings and Cautions

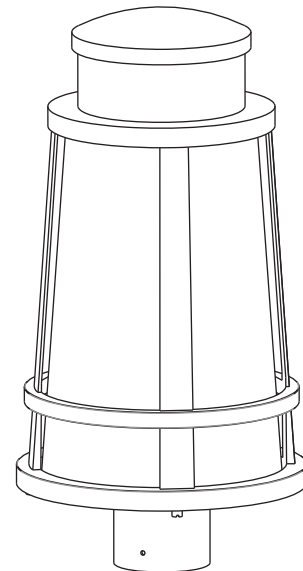
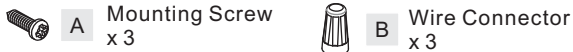
Turn off the electricity at the circuit breaker before installation. Consult a licensed electrician if in doubt about installation.

Turn off power to the fixture and allow the bulbs to cool before replacing.

### Package Contents


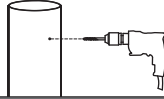
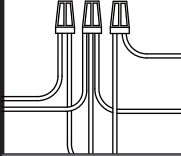


**Preparation:** Identify and inspect all parts before beginning the installation.  
Missing or damaged parts? Contact your original place of purchase.

#### PARTS BAG



C Fixture Body x 1

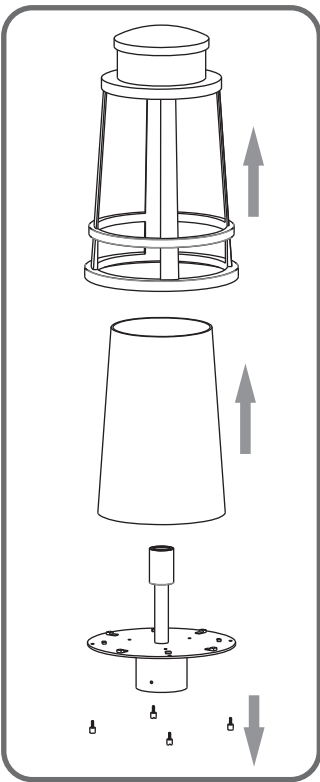
### Table of Contents

Bulb	Drill Holes	Wiring	Fixture Body	Replace Shade
				
STEP 1	STEP 2	STEP 3	STEP 4	STEP 5

**STEP 1**

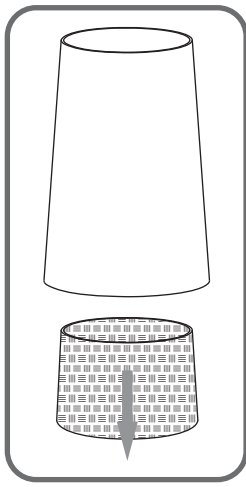
1

Remove cage and glass



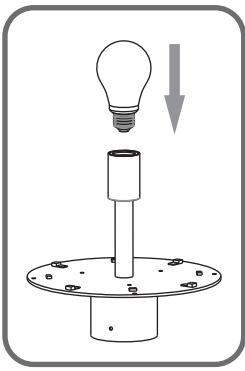
2

Remove styrofoam



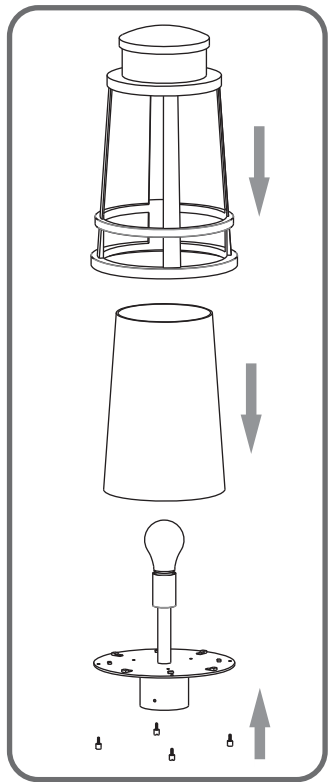
3

Install bulb



4

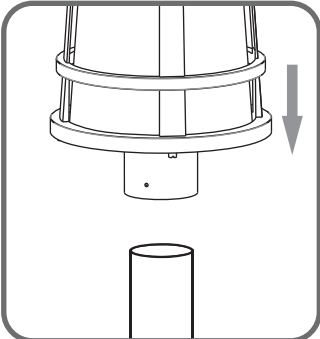
Install glass and cage



**STEP 2**

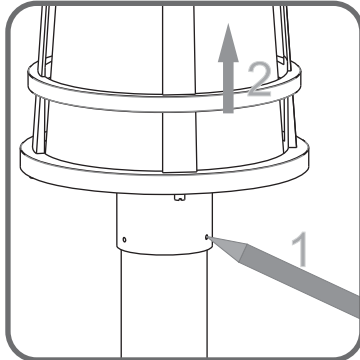
1

Step 1  
Place Post Fitter to Post

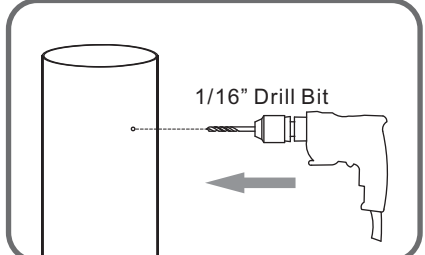
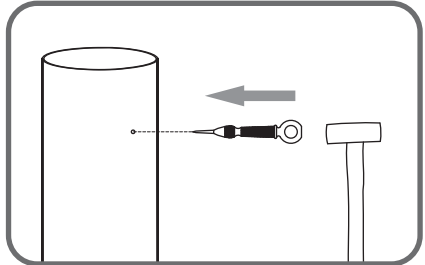


2

Step 2-3  
Mark Mounting Holes Location on Post



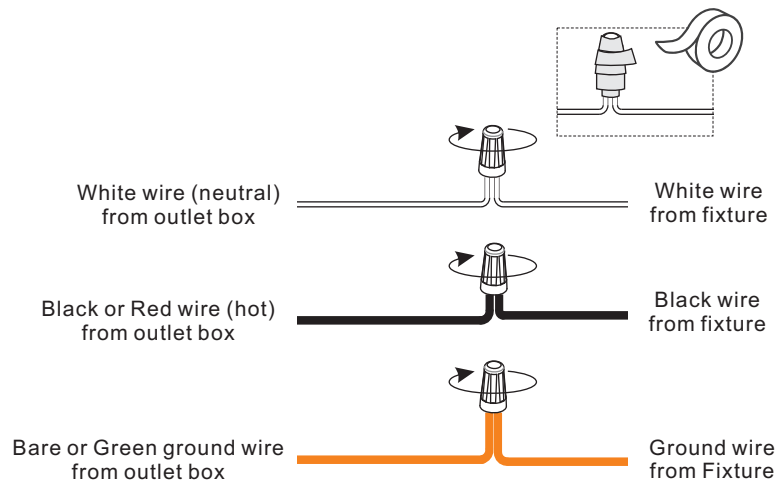
3



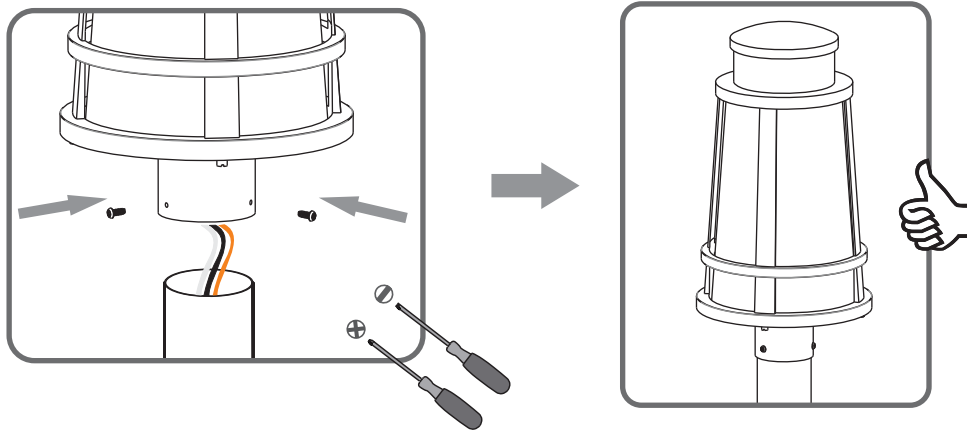
Step 4  
Drill Holes

4

### STEP 3



### STEP 4



### STEP 5 - How To Replace Glass

