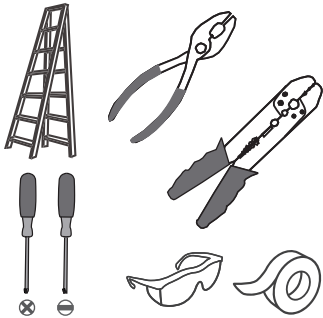
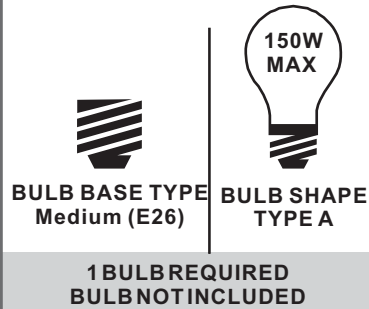


### Tools Required



### Light Source



### Warnings and Cautions

Turn off the electricity at the circuit breaker before installation. Consult a licensed electrician if in doubt about installation.

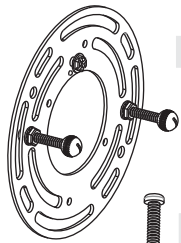
Turn off power to the fixture and allow the bulbs to cool before replacing.

### Package Contents

**Preparation:** Identify and inspect all parts before beginning the installation.

Missing or damaged parts? Contact your original place of purchase.

#### PARTS BAG



**A** Crossbar Assembly x 1

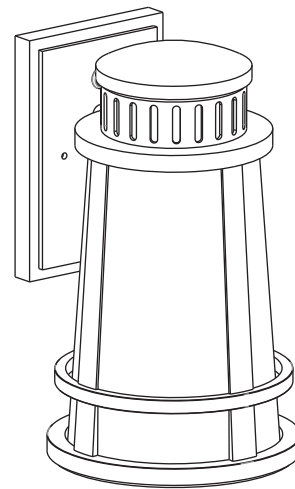
**B** Alternate Mounting Screw x 2



**C** Outlet Box Screw x 2



**D** Wire Connector x 3

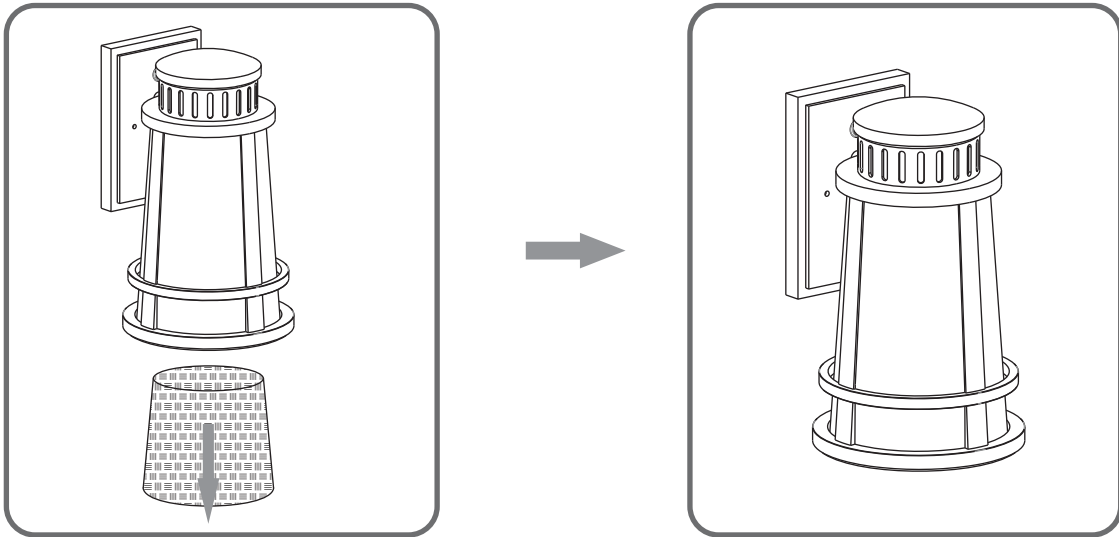


**E** Fixture Body x 1

### Table of Contents

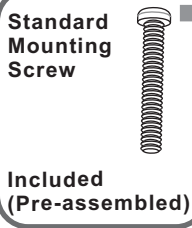
Remove Styrofoam	Alternate Mounting Screw	Crossbar Assembly	Wiring
<b>STEP 1</b>	<b>STEP 2</b>	<b>STEP 3</b>	<b>STEP 4</b>
<b>STEP 5</b>	<b>STEP 6</b>	<b>STEP 7</b>	<b>STEP 8</b>
<b>Fixture Body</b>	<b>Bulb</b>	<b>Caulk</b>	<b>Replace Glass</b>

**STEP 1**



**STEP 2**

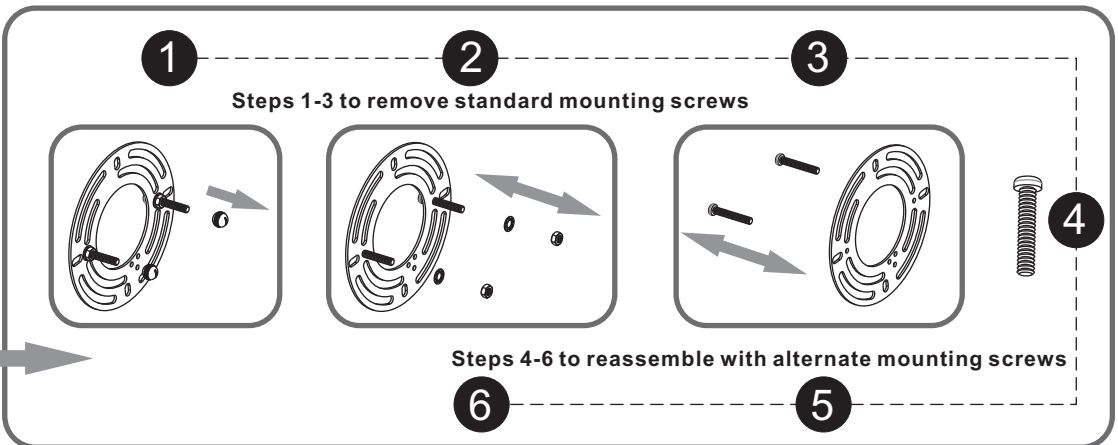
**OPTION 1**



**OPTION 2**



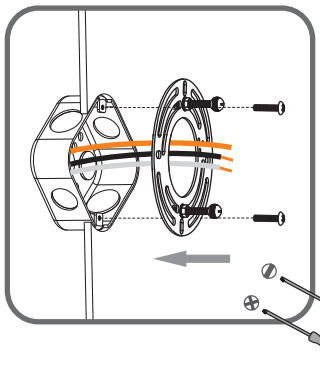
skip to next page



**STEP 3**

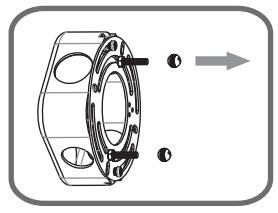
**1**

Step 1  
Install crossbar assembly

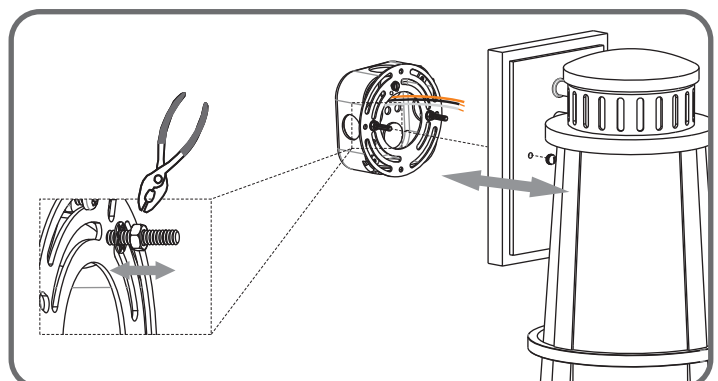


**2**

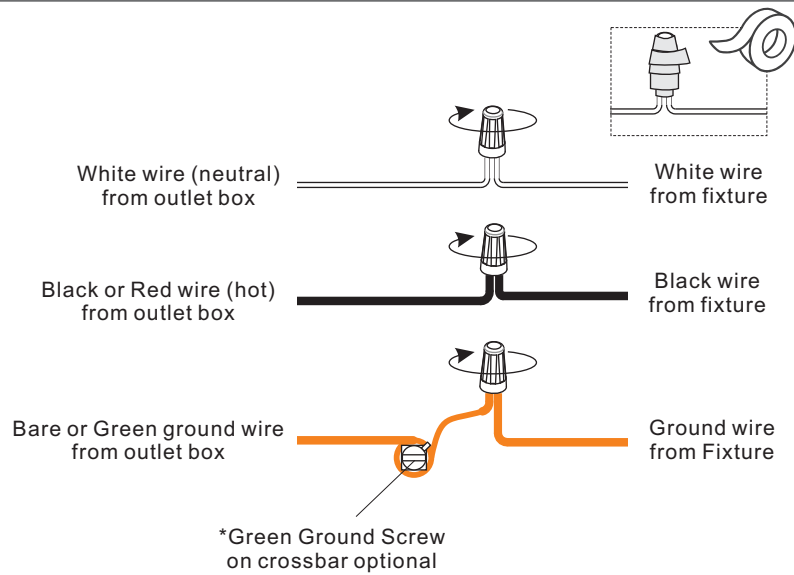
Step 2 - 3  
Test fitting backplate to mounting screws



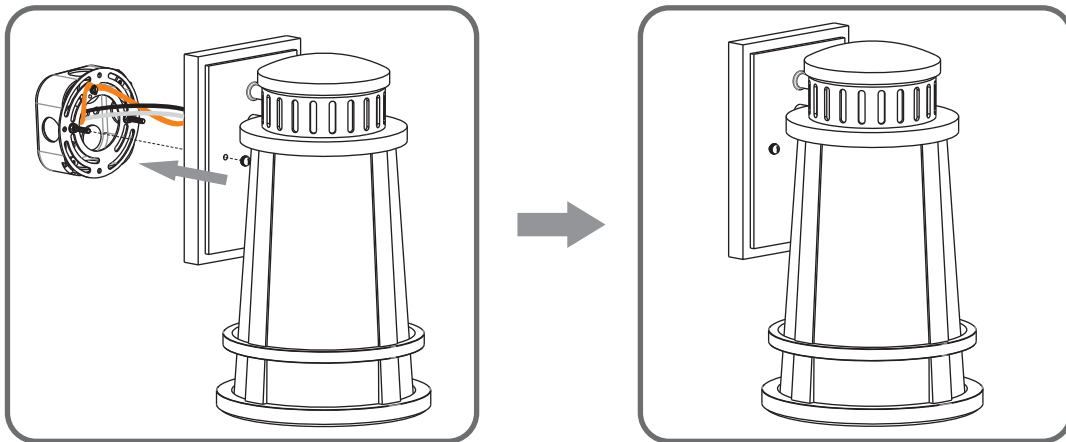
**3**



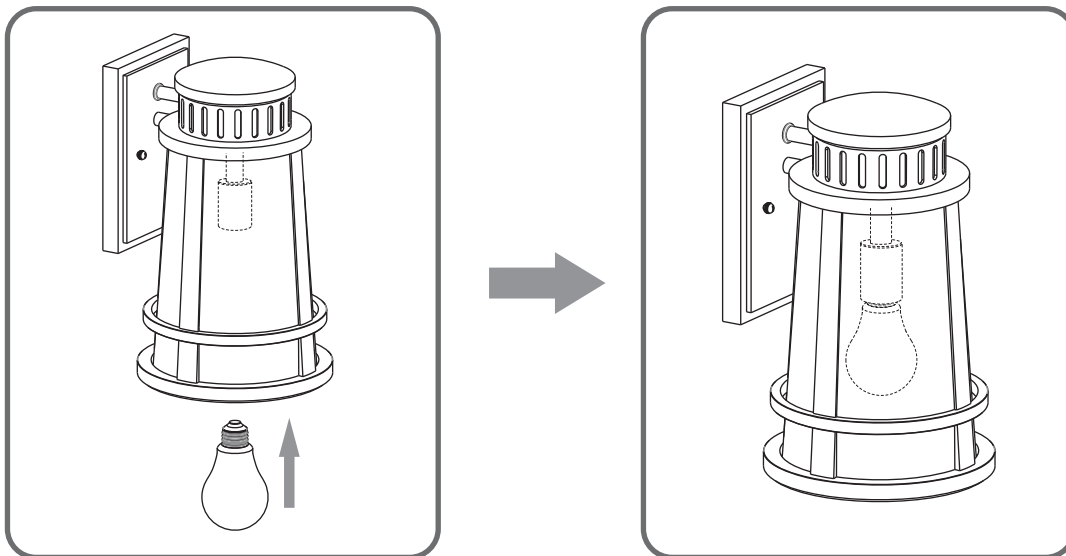
## STEP 4



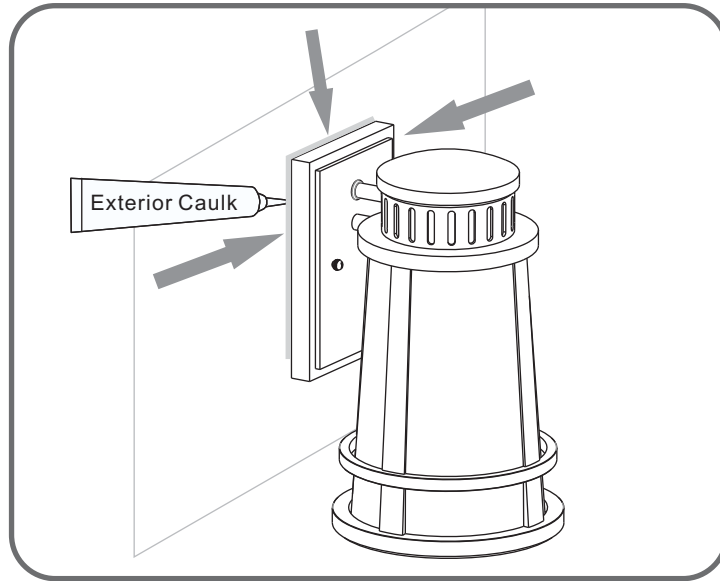
## STEP 5



## STEP 6



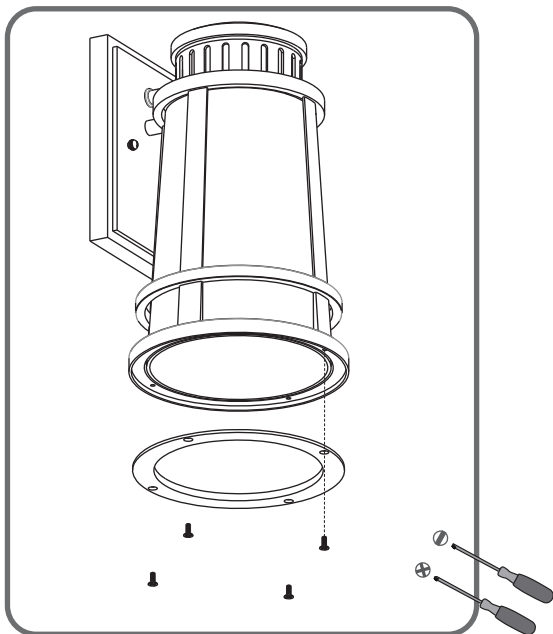
## STEP 7



## STEP 8 - How to Replace Glass

1

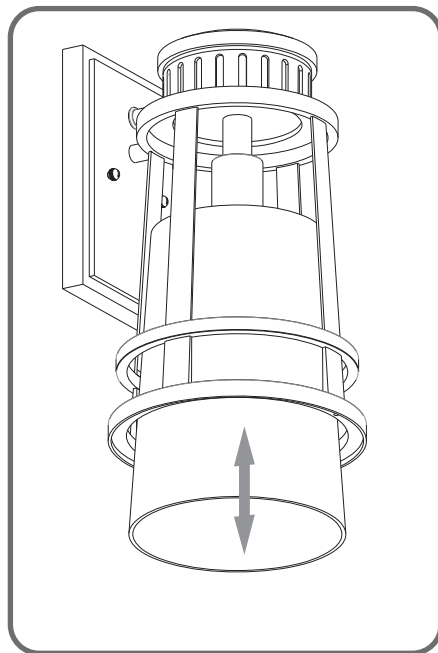
Remove glass holder



Reinstall glass holder

2

Replace glass



3