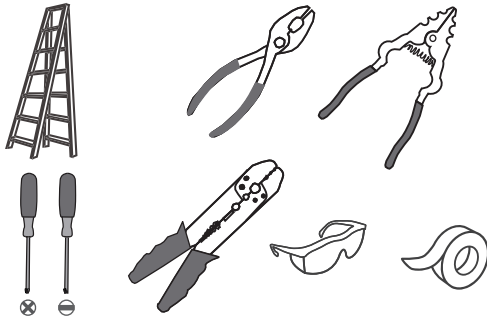
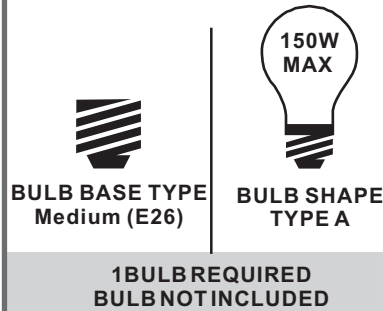


Tools Required



Light Source



Fixture Height Adjustable 23" to 120.5"

⚠ Warnings and Cautions

Turn off the electricity at the circuit breaker before installation. Consult a licensed electrician if in doubt about installation.

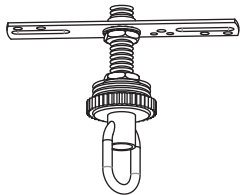
Turn off power to the fixture and allow the bulbs to cool before replacing.

Package Contents

Preparation: Identify and inspect all parts before beginning the installation.

Missing or damaged parts? Contact your original place of purchase.

PARTS BAG



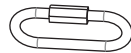
A Crossbar Assembly
x 1



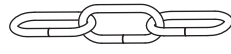
B Outlet Box Screw
x 2



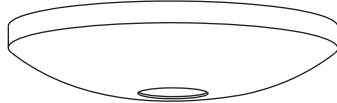
C Wire Connector
x 3



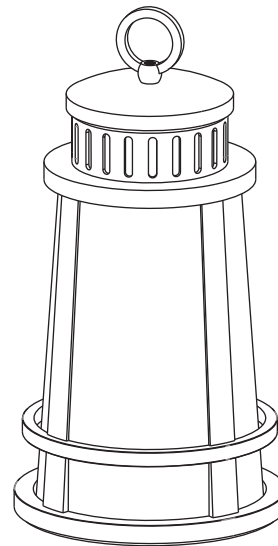
D Quick Link
x 2



E Fixture Chain
x 1



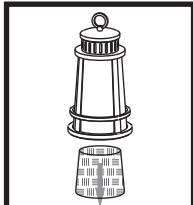
F Ceiling Canopy
x 1



G Fixture Body
x 1

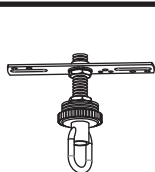
Table of Contents

Remove Styrofoam



STEP 1

Crossbar Assembly



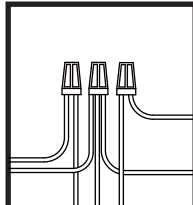
STEP 2

Fixture Chain



STEP 3

Wiring



STEP 4

Ceiling Canopy



STEP 5

Bulb



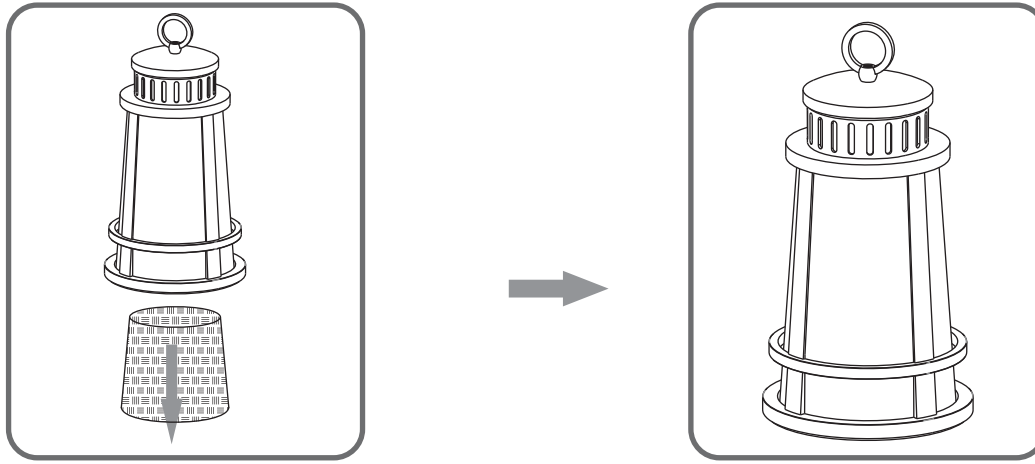
STEP 6

Replace Glass

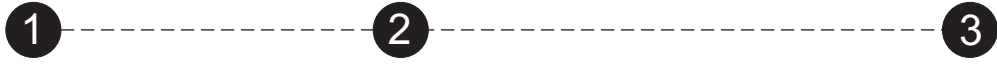


STEP 7

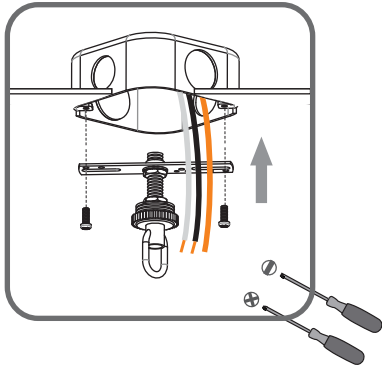
STEP 1



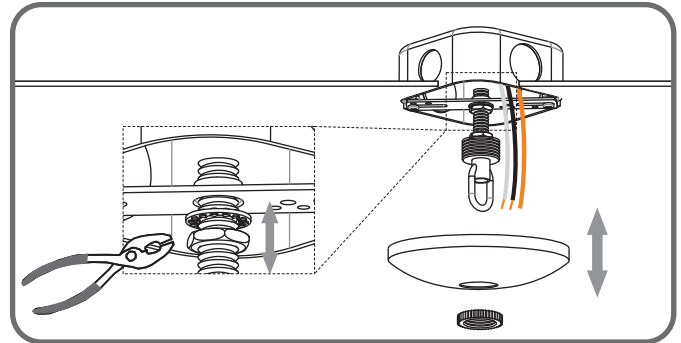
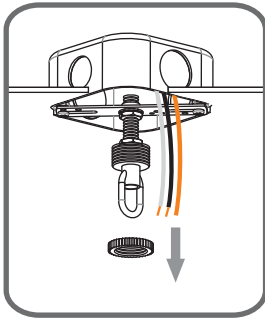
STEP 2



Step 1
Install crossbar assembly



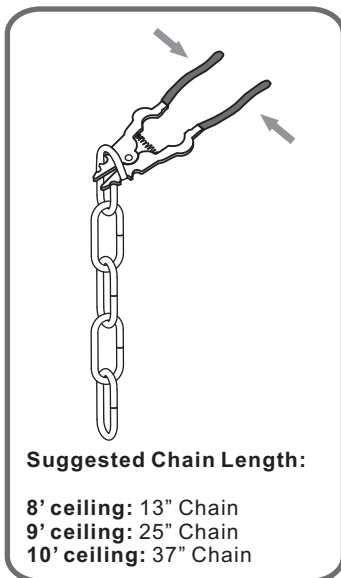
Step 2 - 3
Test fitting ceiling canopy to nipple



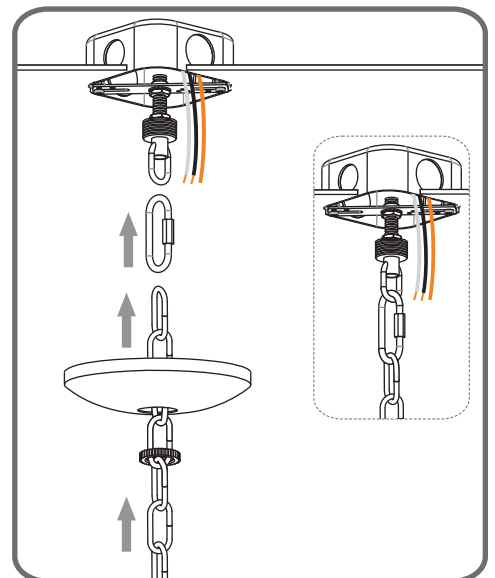
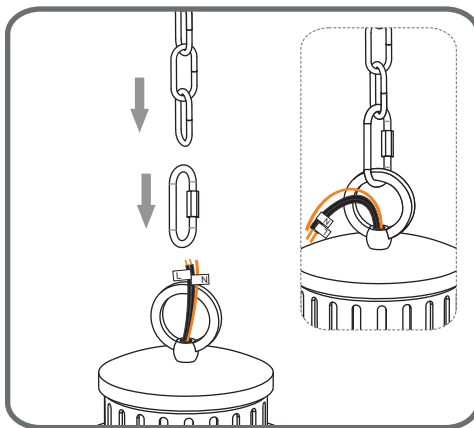
STEP 3



Step 1
Adjust fixture chain length



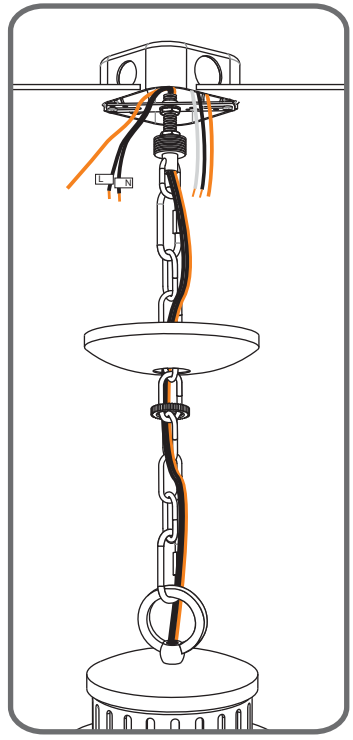
Step 2 - 3
Install Fixture Chain



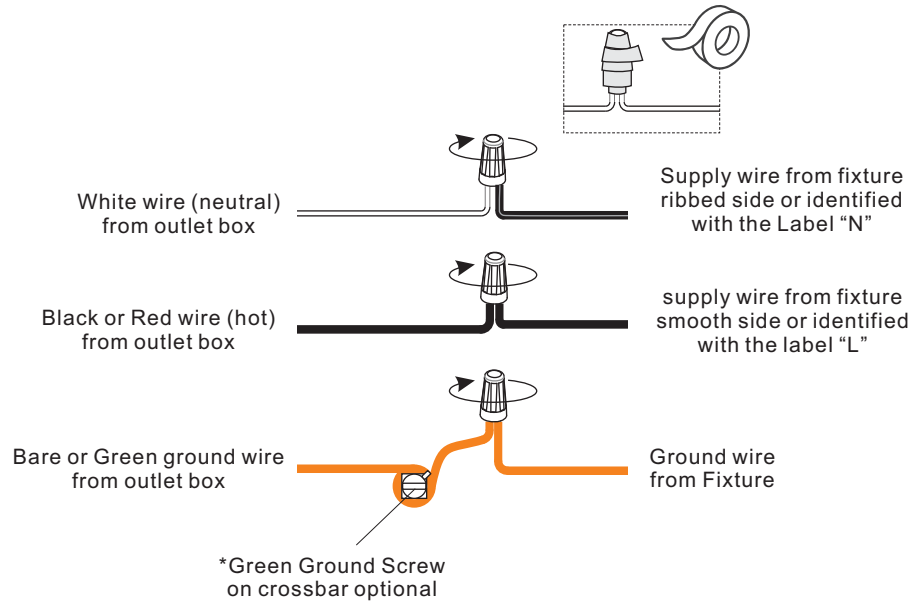
STEP 4

1

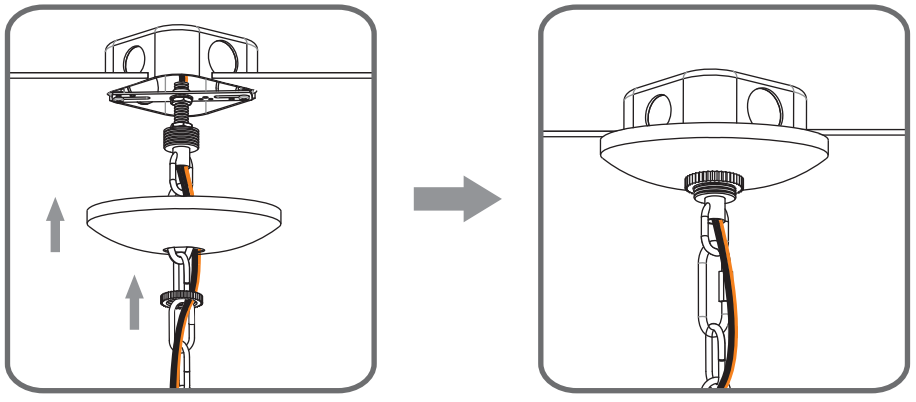
Step 1
Feed the fixture wires
through the loop



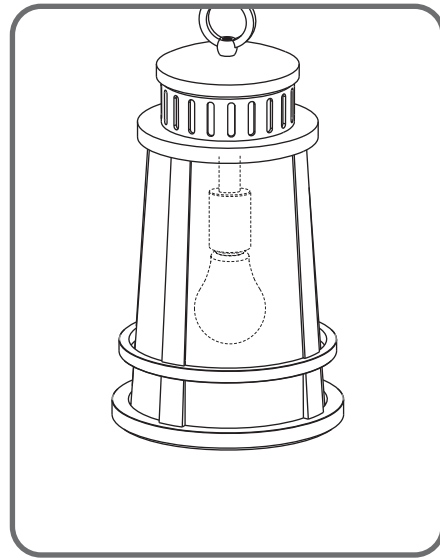
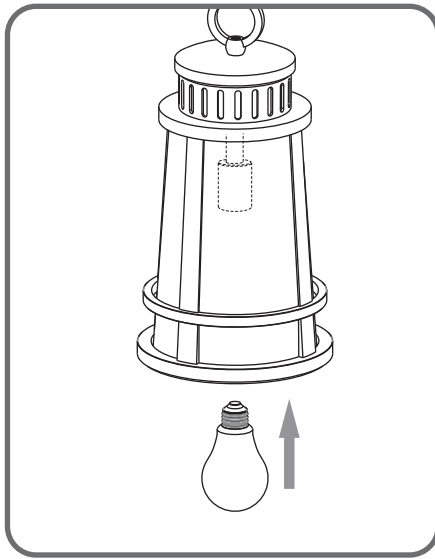
2



STEP 5



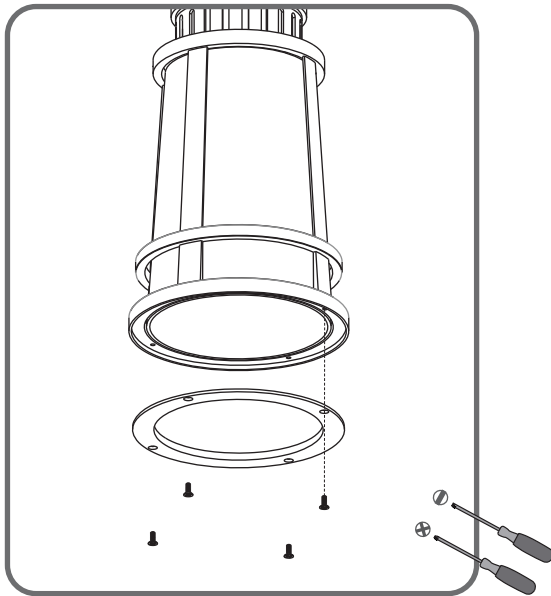
STEP 6



STEP 7 - How to Replace Glass

1

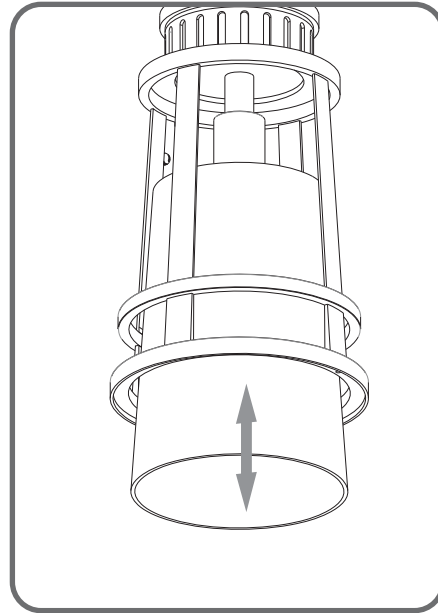
Remove glass holder



Reinstall glass holder

2

Replace glass



3