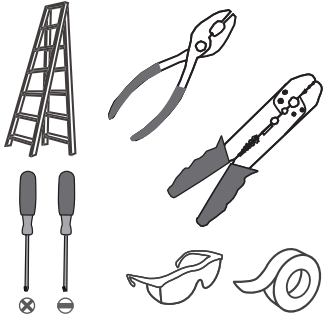
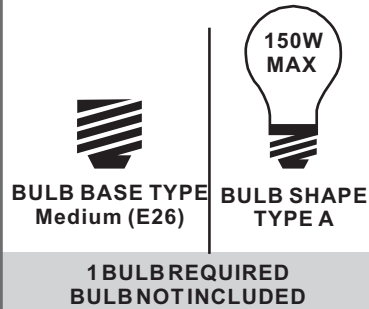


Tools Required



Light Source



⚠ Warnings and Cautions

Turn off the electricity at the circuit breaker before installation. Consult a licensed electrician if in doubt about installation.

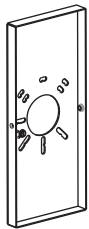
Turn off power to the fixture and allow the bulbs to cool before replacing.

Package Contents

Preparation: Identify and inspect all parts before beginning the installation.

Missing or damaged parts? Contact your original place of purchase.

PARTS BAG



A Inner Backplate x 1



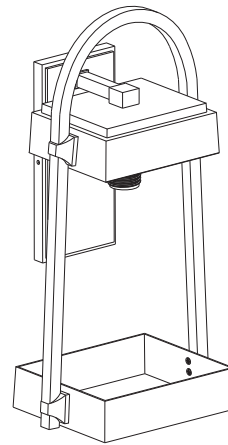
B Lock Screw x 2



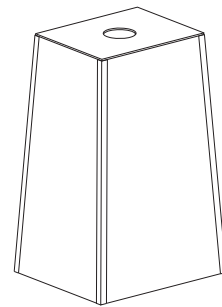
C Outlet Box Screw x 2



D Wire Connector x 3



E Fixture Body x 1



F Shade x 1



G Socket Collar x 1

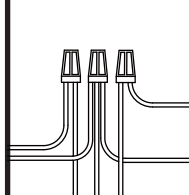
Table of Contents

Inner Backplate



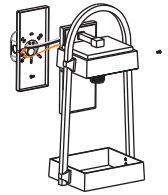
STEP 1

Wiring



STEP 2

Fixture Body



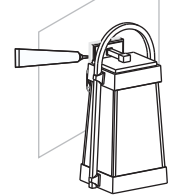
STEP 3

Shade & Bulb



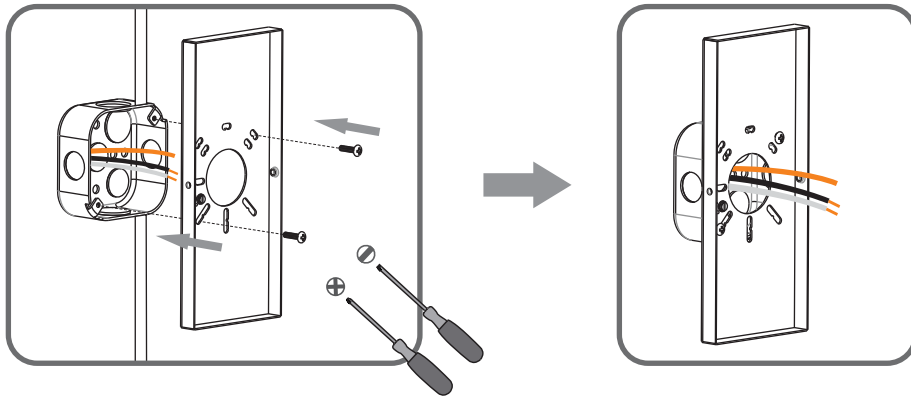
STEP 4

Caulk

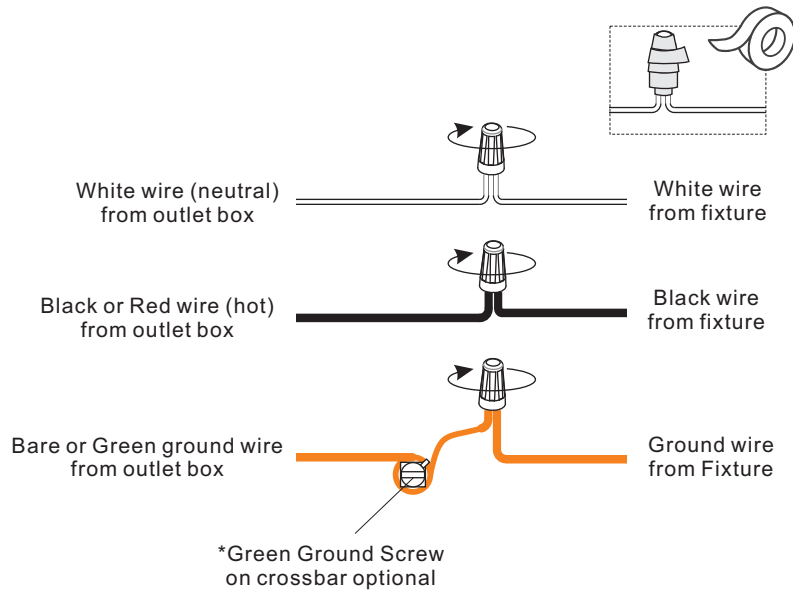


STEP 5

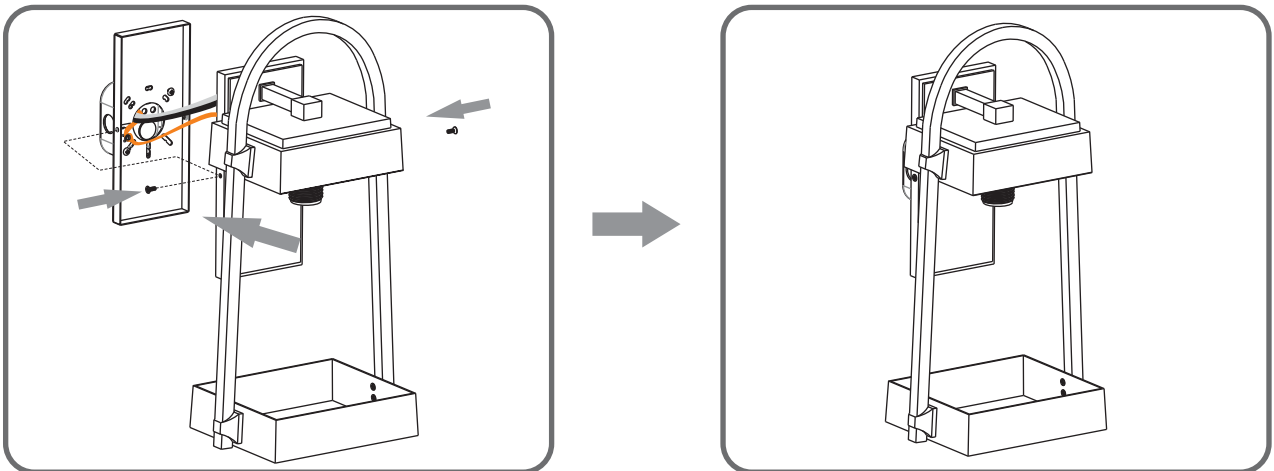
STEP 1



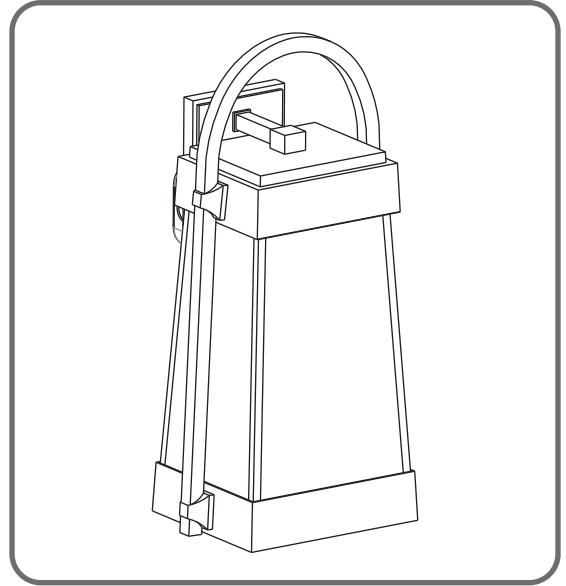
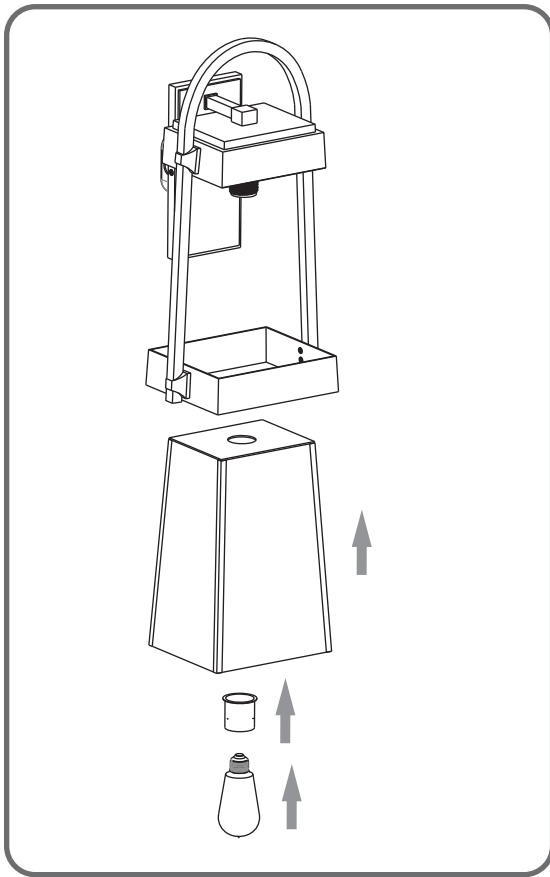
STEP 2



STEP 3



STEP 4



STEP 5

