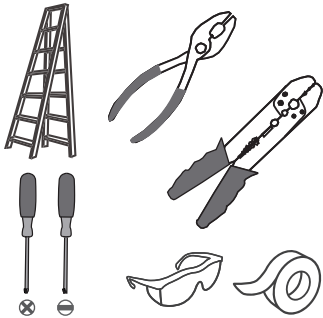
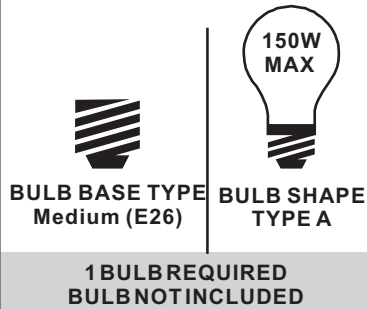


Tools Required



Light Source



Warnings and Cautions

Turn off the electricity at the circuit breaker before installation. Consult a licensed electrician if in doubt about installation.

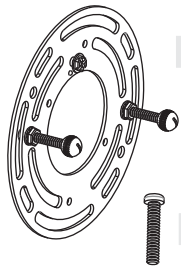
Turn off power to the fixture and allow the bulbs to cool before replacing.

Package Contents

Preparation: Identify and inspect all parts before beginning the installation.

Missing or damaged parts? Contact your original place of purchase.

PARTS BAG



A Crossbar Assembly x 1

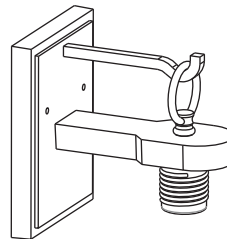
B Alternate Mounting Screw x 2



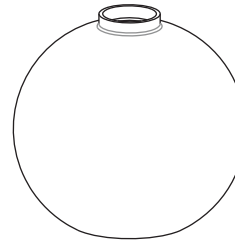
C Outlet Box Screw x 2



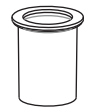
D Wire Connector x 3



E Fixture Body x 1



F Shade x 1



G Socket Collar x 1

Table of Contents

Alternate Mounting Screw



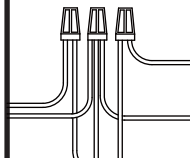
STEP 1

Crossbar Assembly



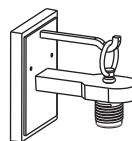
STEP 2

Wiring



STEP 3

Fixture Body



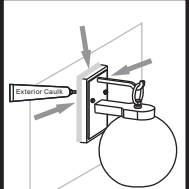
STEP 4

Shade & Bulb



STEP 5

Caulk

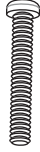


STEP 6

STEP 1


OPTION 1

Standard Mounting Screw
Included (Pre-assembled)

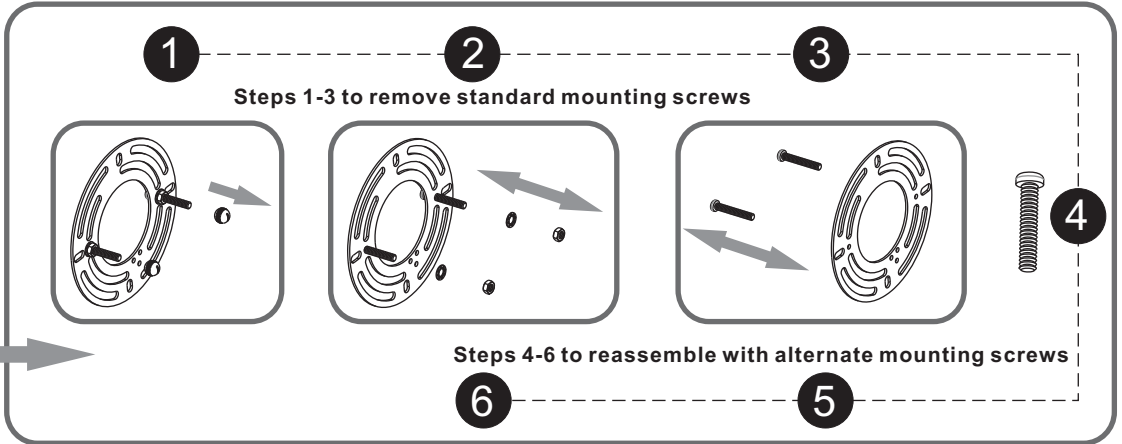


OPTION 2

Alternate Mounting Screw
Included



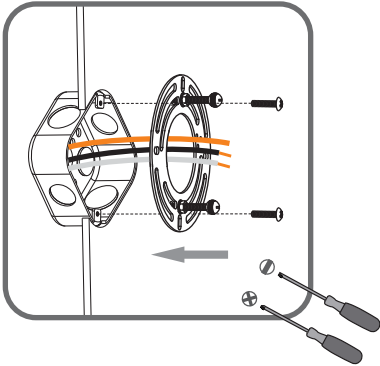
skip to next page



STEP 2

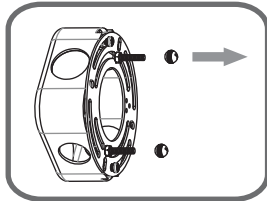
1

Step 1
Install crossbar assembly

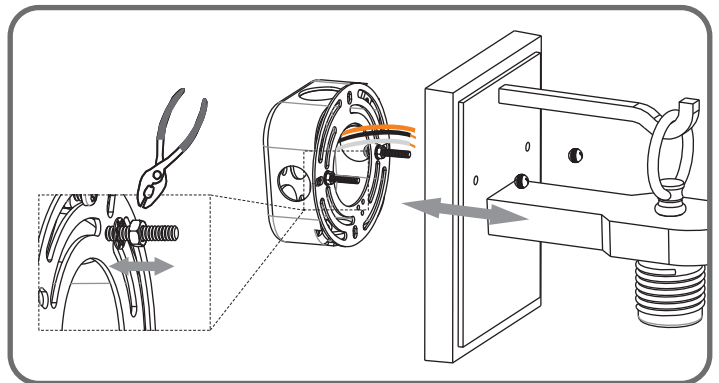


2

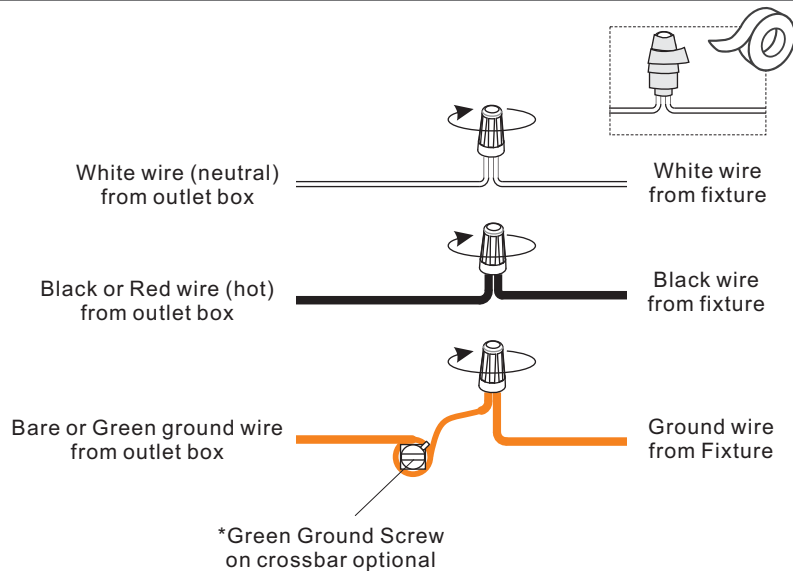
Step 2 - 3
Test fitting backplate to mounting screws



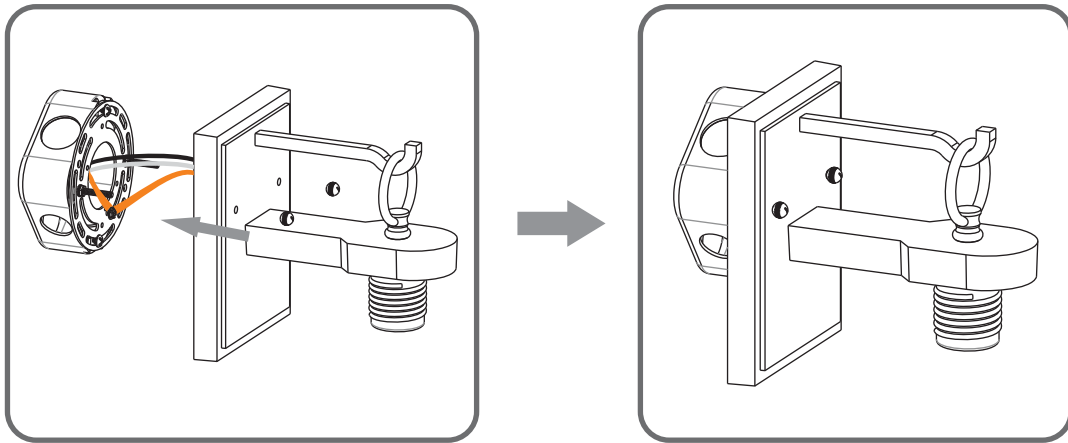
3



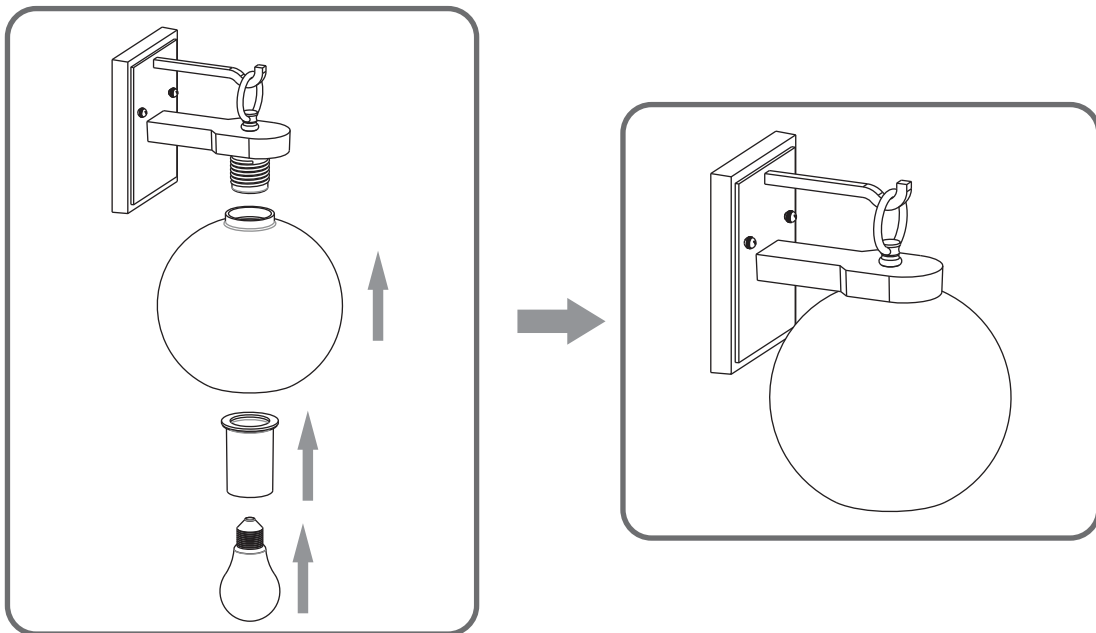
STEP 3



STEP 4



STEP 5



STEP 6

