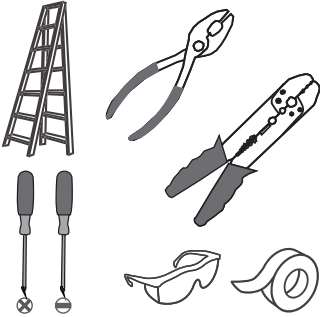
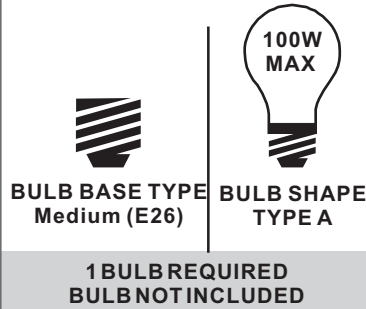


Tools Required



Light Source



Warnings and Cautions

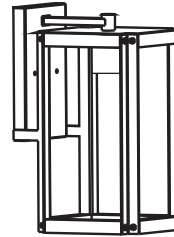
Turn off the electricity at the circuit breaker before installation. Consult a licensed electrician if in doubt about installation.

Turn off power to the fixture and allow the bulbs to cool before replacing.

Package Contents

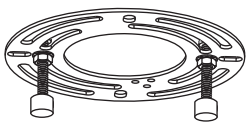
Preparation: Identify and inspect all parts before beginning the installation.

Missing or damaged parts? Contact your original place of purchase.



E Fixture Body x 1

PARTS BAG



A Crossbar Assembly x 1



B Alternate Mounting Screw x 2



C Outlet Box Screw x 2


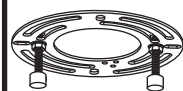
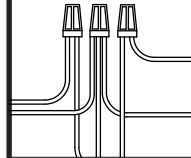
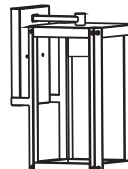
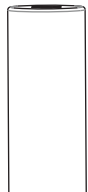
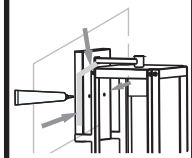


D Wire Connector x 3



F Shade x 1

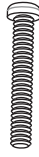
Table of Contents

Alternate Mounting Screw	Crossbar Assembly	Wiring	Fixture Body	Shade and Bulb	Caulk
					
STEP 1	STEP 2	STEP 3	STEP 4	STEP 5	STEP 6

STEP 1

OPTION 1

Standard Mounting Screw



Included (Pre-assembled)

OPTION 2

Alternate Mounting Screw



Included

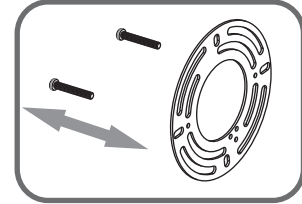
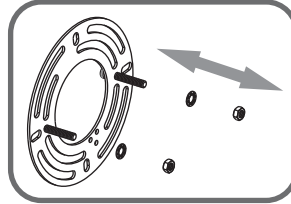
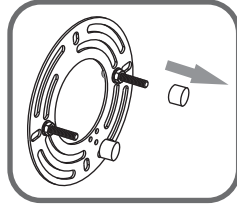
skip to next page

1

2

3

Steps 1-3 to remove standard mounting screws



4

Steps 4-6 to reassemble with alternate mounting screws

6

5

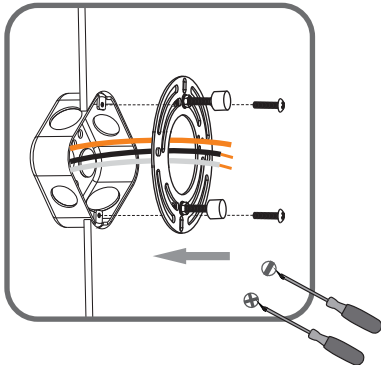
STEP 2

1

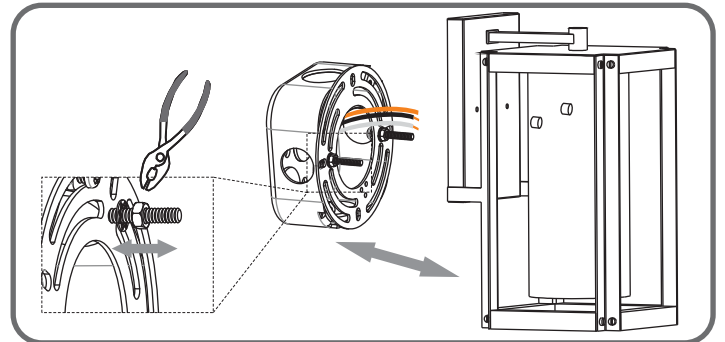
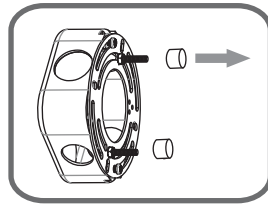
2

3

Step 1
Install crossbar assembly

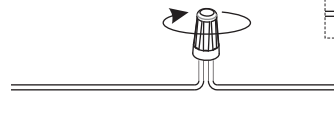


Step 2 - 3
Test fitting backplate to mounting screws



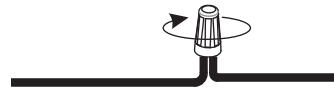
STEP 3

White wire (neutral)
from outlet box



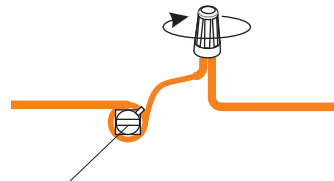
White wire
from fixture

Black or Red wire (hot)
from outlet box



Black wire
from fixture

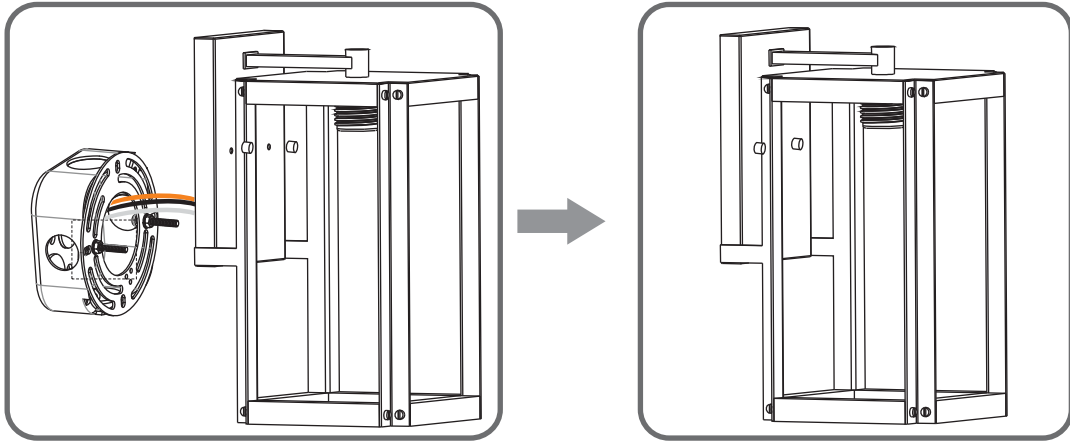
Bare or Green ground wire
from outlet box



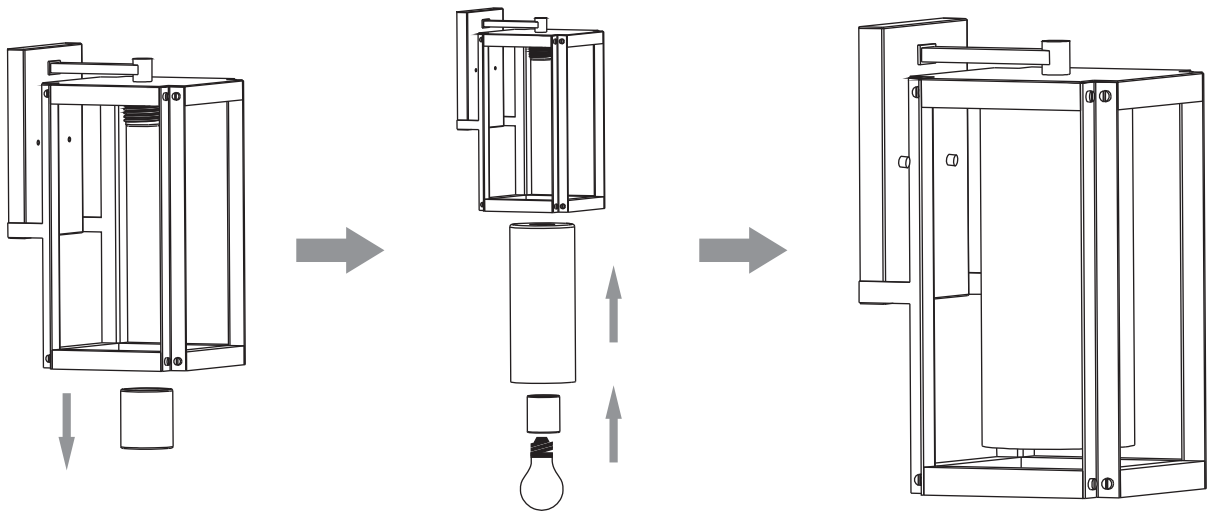
Ground wire
from Fixture

*Green Ground Screw
on crossbar optional

STEP 4



STEP 5



STEP 6

