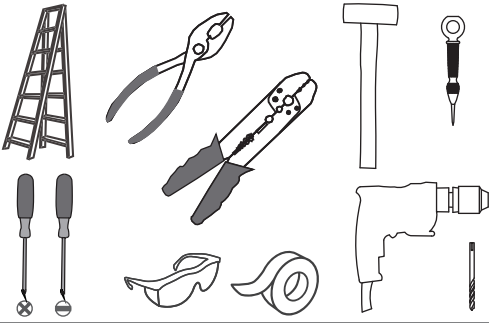
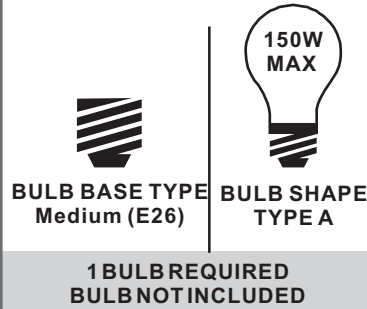


Tools Required



Light Source



Warnings and Cautions

Turn off the electricity at the circuit breaker before installation. Consult a licensed electrician if in doubt about installation.

Turn off power to the fixture and allow the bulbs to cool before replacing.

Package Contents

Preparation: Identify and inspect all parts before beginning the installation.

Missing or damaged parts? Contact your original place of purchase.

PARTS BAG

A Mounting Screw
x 3

B Wire Connector
x 3



C Shade
x 1

Fixture Body
x 1 **D**

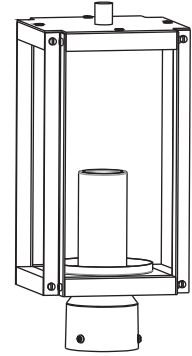
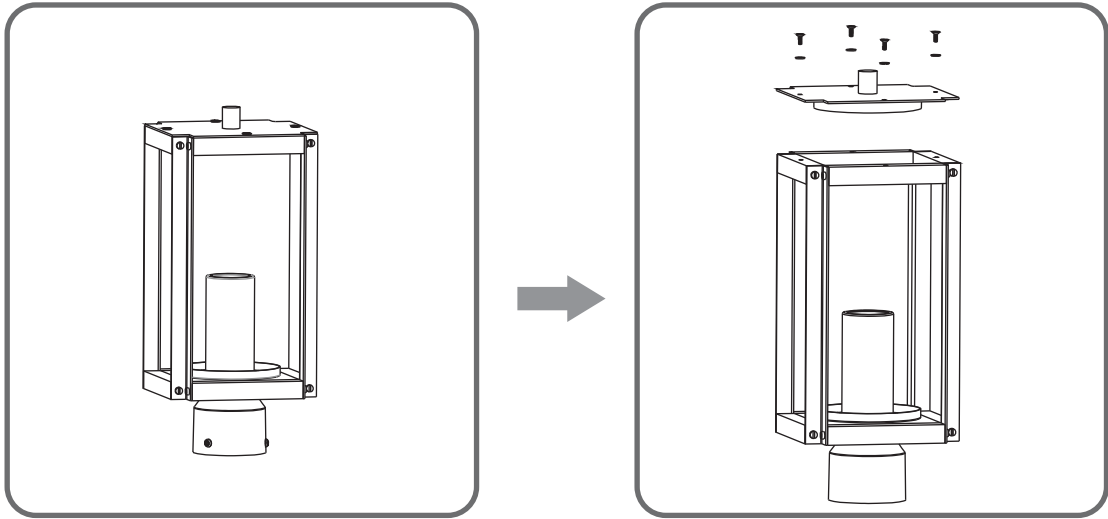


Table of Contents

| Fixture Body | Drill Holes | Wiring | Fixture Body | Bulb |
|--------------|-------------|--------|--------------|--------|
| | | | | |
| STEP 1 | STEP 2 | STEP 3 | STEP 4 | STEP 5 |

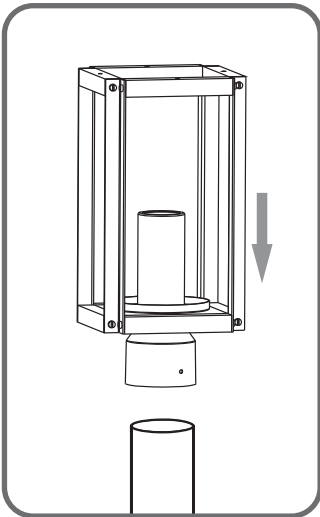
STEP 1



STEP 2

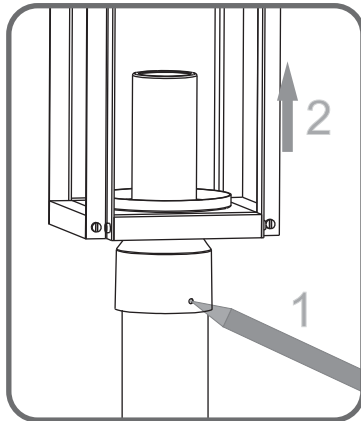
1

Step 1
Place Post Fitter to Post

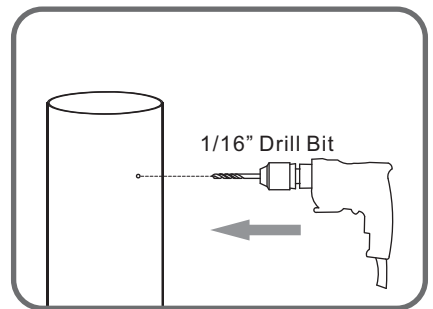
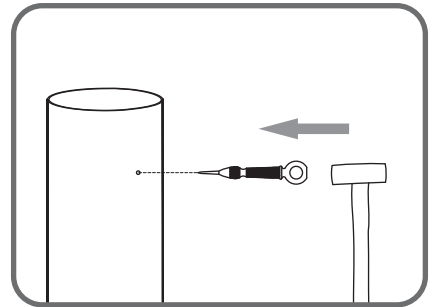


2

Step 2-3
Mark Mounting Holes Location on Post



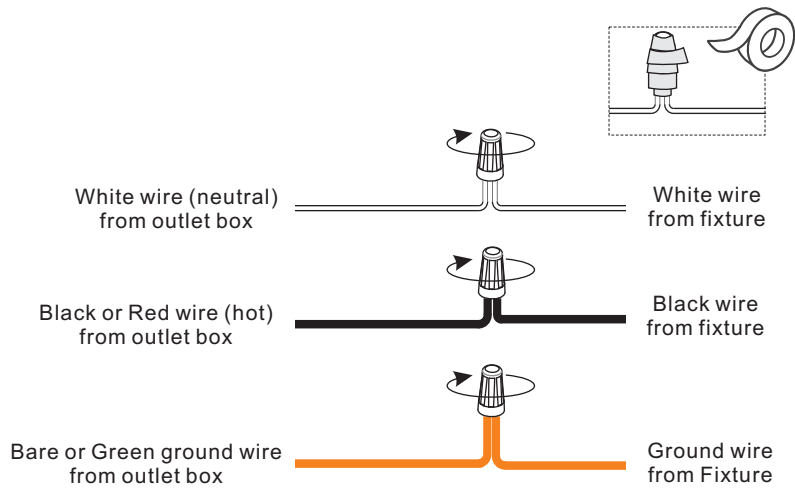
3



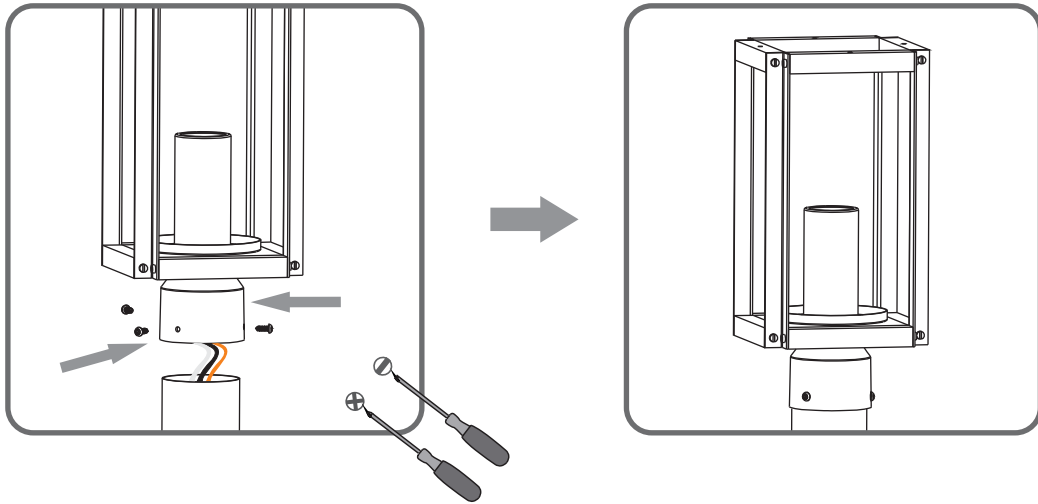
Step 4
Drill Holes

4

STEP 3



STEP 4



STEP 5

