

Please go to www.quoise.com for product cleaning tips. Go to the **Care + Maintenance** selection.

Tools Required: Flathead screwdriver, Phillips screwdriver, pliers, wire cutters, wire strippers, electrical tape, safety glasses.

Light Source: (1) A19 Medium Base Bulb 100W Maximum, Medium Base Vintage Bulb is recommended, bulb not included.

Estimated Assembly Time: 20-30 minutes

Preparation: Identify and inspect all parts before beginning installation. Check package content list and diagrams below to ensure all parts are present. If any parts are missing or damaged, do not attempt to assemble, install, or operate the fixture. Contact your original place of purchase.

Fixture can only be mounted in the direction indicated on page 2.

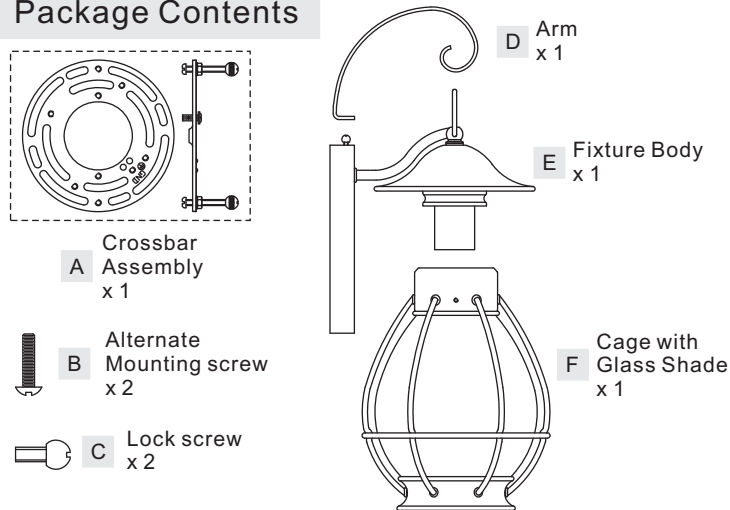
⚠ Warnings and Cautions

Turn off electricity at circuit breaker or main fuse box before installation. Consult a licensed electrician if in doubt.

These instructions are provided for your safety. It is very important you read them completely before installing the fixture. We strongly recommend that a licensed, professional electrician perform the installation.

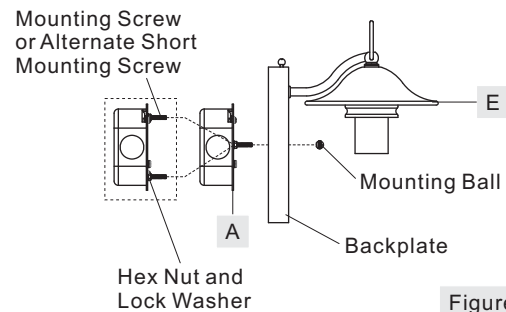
Disconnect fixture from power source before replacing bulbs. Make sure bulbs are given sufficient time to cool before removal.

Package Contents



(Step 2 Continued)

out of the crossbar until the correct length is achieved. Once the backplate and Fixture Body (E) is secure, remove the mounting ball and Fixture Body (E).

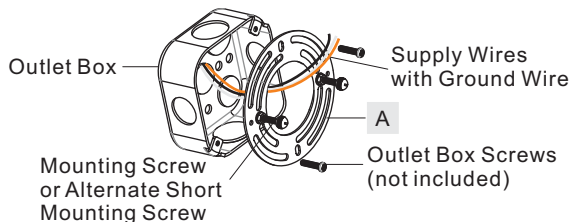


STEP 3 - Install Arm, Bulb and Cage with Glass Shade

- Remove the lock ball from the top edge of the backplate.
- Place the scroll end of the Arm (D) into the loop and attach the other end of the Arm (D) over the bolt on the backplate and secure with previously removed lock ball. Hand tighten until snug.
- Insert the bulb onto the socket and screw snugly into place.
- Place the Cage with Glass Shade (F) over the bulb and socket.

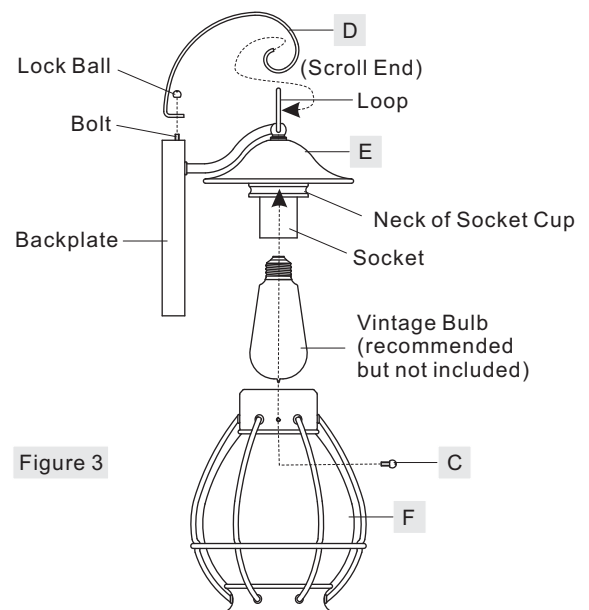
STEP 1 - Installing the Crossbar Assembly

- Pass the supply wires through the Crossbar Assembly (A). Attach the Crossbar Assembly (A) to the Outlet Box with the head of the Green Ground Screw facing you. Secure the Crossbar Assembly (A) with Outlet Box Screws (not included). Tighten until snug.
 Note: Use the Alternate Shorter Mounting Screw (B) if your installation requires a shorter mounting screw.



STEP 2 - Test Fit the Backplate to the Crossbar Assembly

- Remove the mounting balls from the Crossbar Assembly (A). Place the backplate and Fixture Body (E) onto the Crossbar Assembly (A) and secure with mounting balls. Note: The backplate and Fixture Body (E) should be snug against the wall and held tight with the mounting balls. If it is not, adjust the length of the mounting screws on the Crossbar Assembly (A) by unscrewing the preassembled hex nut and lock washer and then screwing the mounting screws in or



(Step 3 Continued)

Thread Lock Screws (C) onto the cage until it is engaged to the neck of the socket cup. Carefully release your hands after Cage with Glass Shade (F) is hung safety by (2) Lock Screws (C).

STEP 4 - Wire Connections

- A. Wrap bare or green ground wire around green ground screw on the crossbar, no less than 2 inches from the end of the wire. Tighten the green ground screw.
- B. Use standard wire connectors (not included) to make all wire connections. Twist connectors until wires are tightly joined together. Wrap each connection with approved electrical tape and carefully stuff all the connected wires into the Outlet Box.

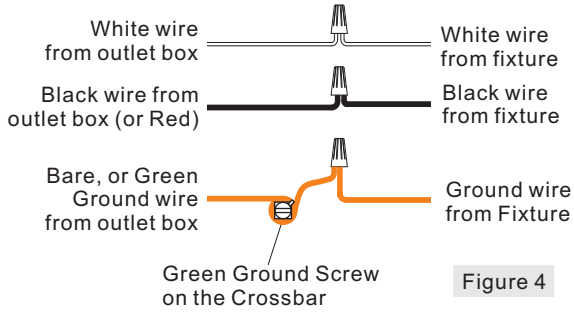


Figure 4

STEP 5 - Install the Fixture Body

- A. Position the backplate and Fixture Body (E) onto the Crossbar Assembly (A). Place the holes in the backplate over the mounting screws or alternative short mounting screws. Secure the Fixture Body by using the mounting balls and hand tighten the mounting balls until snug.

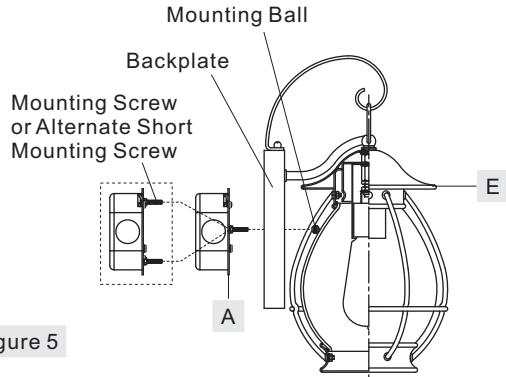


Figure 5

STEP 6 - Apply Silicone Sealer

- A. Make sure the exterior wall surface and fixture backplate are free of dirt before applying caulk. Using exterior grade caulk, caulk over top of backplate and down both sides. Do not caulk the bottom of the fixture backplate to ensure proper moisture drainage.

Your fixture is now assembled and ready to use. Enjoy!

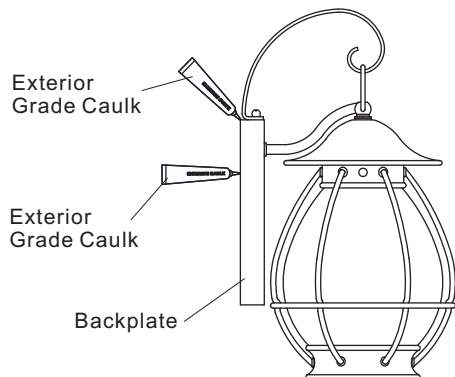
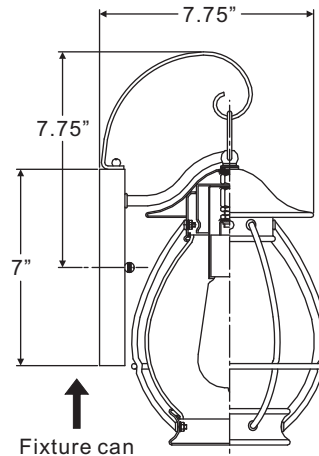
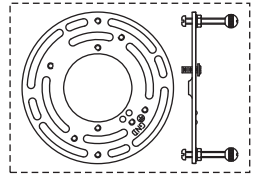


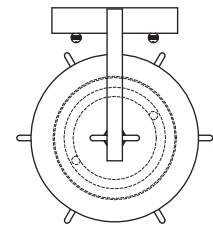
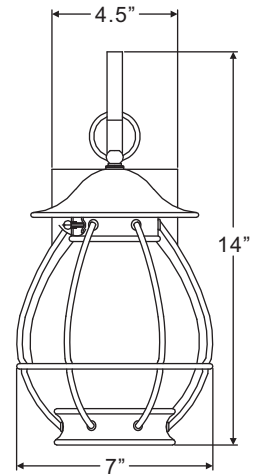
Figure 6

UQL1473

FINISH: MOTTLED BLACK



Fixture can only be mounted in the direction indicated



NOTE: ALL DIMENSIONS ARE ROUNDED UP TO THE NEAREST 1/4"