

Please go to [www.quoizel.com](http://www.quoizel.com) for product cleaning tips. Go to the **Care + Maintenance** selection.

**Tools Required:** Flathead screwdriver, Phillips screwdriver, pliers, wire cutters, wire strippers, electrical tape, safety glasses, marking pen, 1/16" drill bit, center punch, hammer, drill and wrench.

**Light Source:** (1) A21 Medium Base Bulb 150W Maximum, Medium Base Vintage Bulb is recommended, bulb not included.

**Estimated Assembly Time:** 20-30 minutes

**Preparation:** Identify and inspect all parts before beginning installation. Check package content list and diagrams below to ensure all parts are present. If any parts are missing or damaged, do not attempt to assemble, install, or operate the fixture. Contact your original place of purchase.

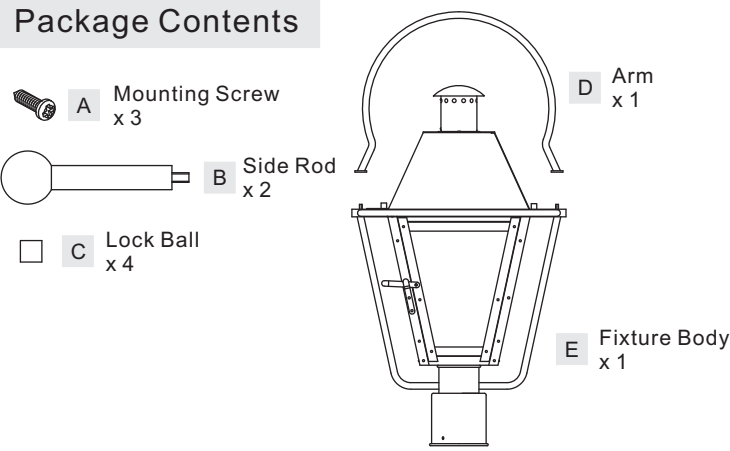
### ⚠ Warnings and Cautions

Turn off electricity at circuit breaker or main fuse box before installation. Consult a licensed electrician if in doubt.

These instructions are provided for your safety. It is very important you read them completely before installing the fixture. We strongly recommend that a licensed, professional electrician perform the installation.

Disconnect fixture from power source before replacing bulbs. Make sure bulbs are given sufficient time to cool before removal.

### Package Contents



### STEP 1 – Remove Papers Inside of the Cage

- Rotate the bolt and remove it from the bolt holder to open the door.
- Remove papers inside of the cage.
- Close the door and place the bolt back onto the bolt holder.

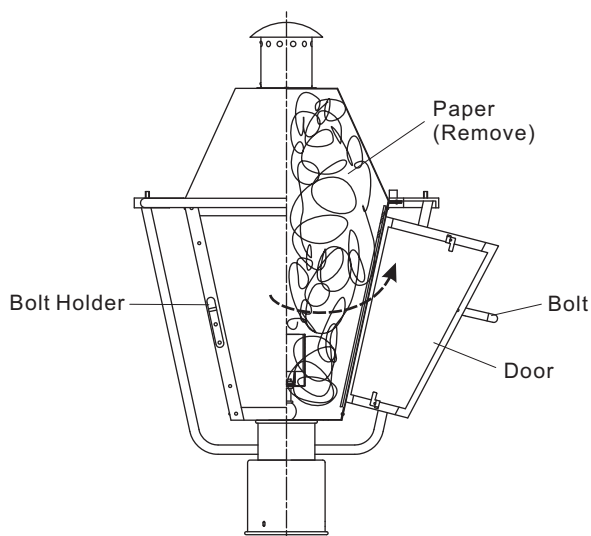


Figure 1

### STEP 2 – Install Arm and Side Rods

- Place tabs on the ends of the Arm (D) over bolts on the Fixture Body (E) and secure with Lock Balls (C). Hand tighten until snug.
- Thread Side Rods (B) onto the Fixture Body (E) and hand tighten until snug.

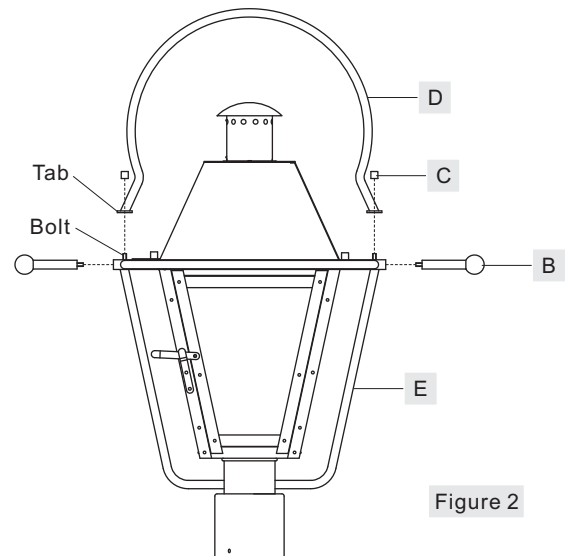


Figure 2

### STEP 3 – Mark the Location for the 3 Mounting Holes

- Place the light fixture onto the post and mark the location of the 3 mounting holes on the fixture fitter onto the post with the marking pen.

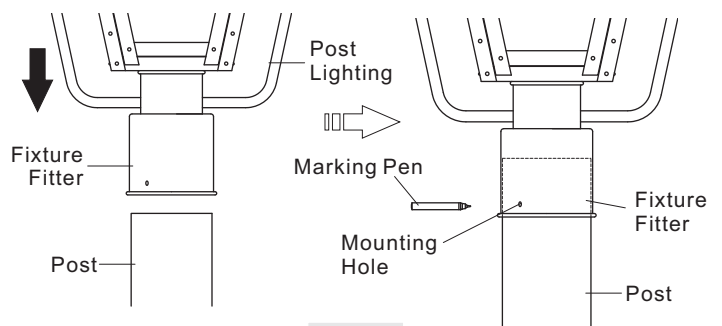


Figure 3

**STEP 4 - Marking the Center of Each Mounting Hole**

A. Remove the light fixture. Using the center punch and hammer marking the center of each mounting hole location that is marked with the marking pen.

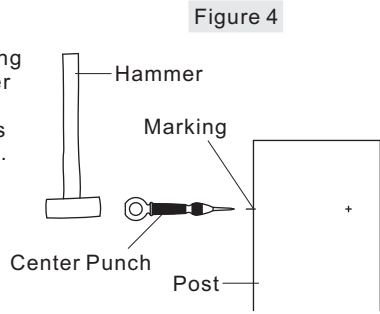


Figure 4

**STEP 5 - Drill Holes**

A. Using the 1/16" bit and drill, drill a pilot hole completely through the post at each (3) locations marked in step 4 above.

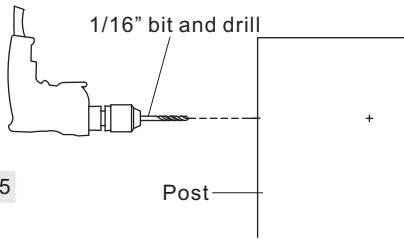


Figure 5

**STEP 6 - Wire Connections**

A. Use standard wire connectors (not included) to make all wire connections. Twist connectors until wires are tightly joined together. Wrap each connection with approved electrical tape and carefully stuff all the connected wires into the Outlet Box.

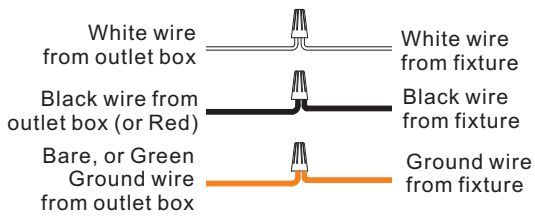


Figure 6

**STEP 7 - Attach the fixture to the Post Mount**

A. Place the fixture on the post lining up the mounting holes on the fixture fitter with the holes on the post. Use the Mounting Screws (A) to attach the fixture to the post.

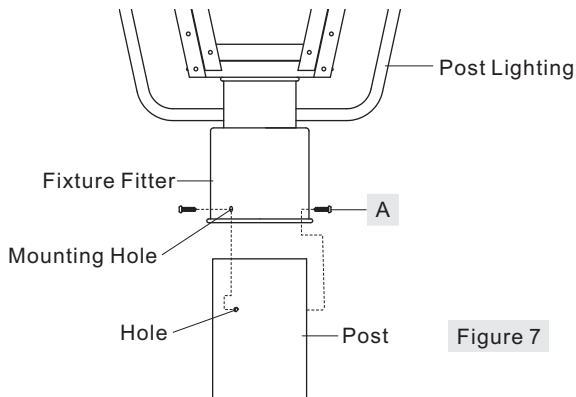


Figure 7

**STEP 8 - Install Bulb**

A. Rotate the bolt and remove it from the bolt holder to open the door.  
B. Insert the bulb onto the socket and screw snugly into place.  
C. Close the door and place the bolt back onto the bolt holder.

Your fixture is now assembled and ready to use. Enjoy!

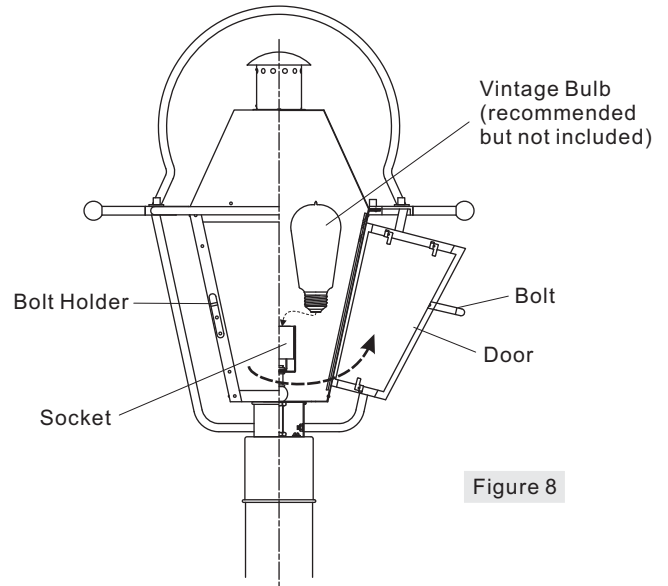
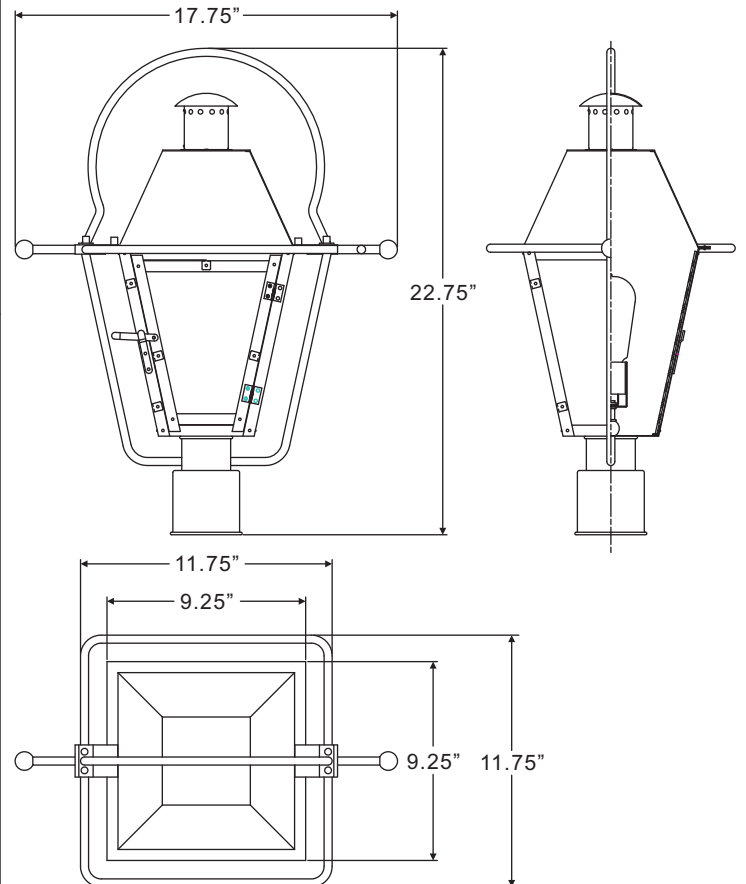


Figure 8

RO9018IZ

FINISH: INDUSTRIAL BRONZE



NOTE: ALL DIMENSIONS ARE ROUNDED UP TO THE NEAREST 1/4"