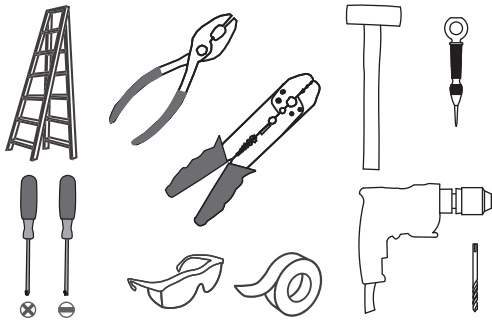
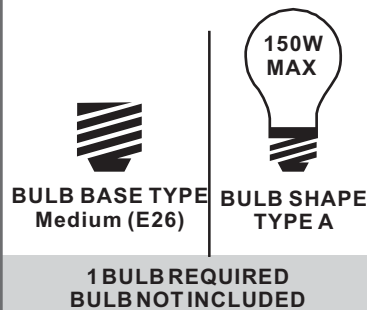


## Tools Required



## Light Source



## ⚠ Warnings and Cautions

Turn off the electricity at the circuit breaker before installation. Consult a licensed electrician if in doubt about installation.


Turn off power to the fixture and allow the bulbs to cool before replacing.


## Package Contents

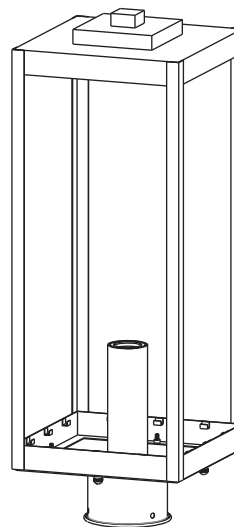
**Preparation:** Identify and inspect all parts before beginning the installation.

Missing or damaged parts? Contact your original place of purchase.

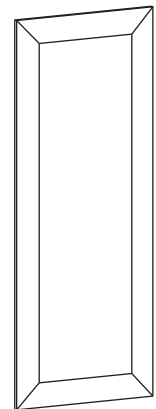
### PARTS BAG

 **A** Mounting Screw x 3

 **B** Wire Connector x 3



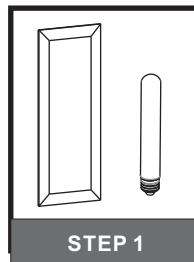
**C** Fixture Body x 1



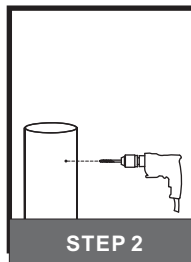
**D** Glass Panel x 4

## Table of Contents

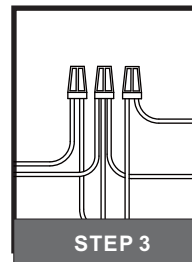
### Glass Panel & Bulb



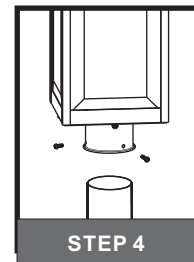
### Drill Holes



### Wiring



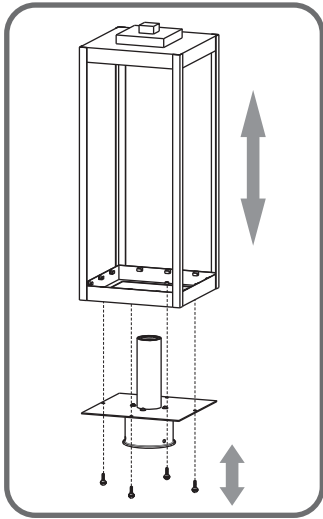
### Fixture Body



**STEP 1**

1

Remove the Cage

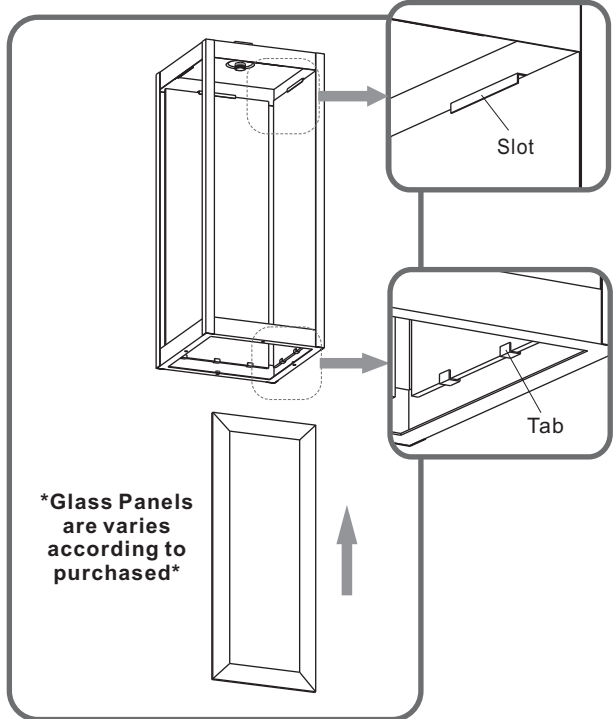


Re-install the Cage

4

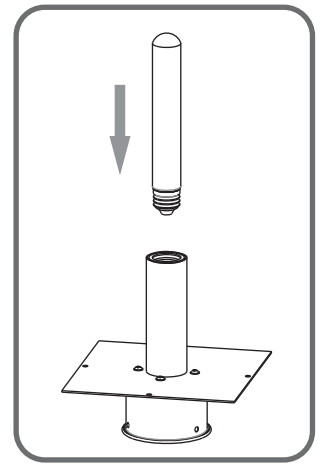
2

Install Glass Panel



3

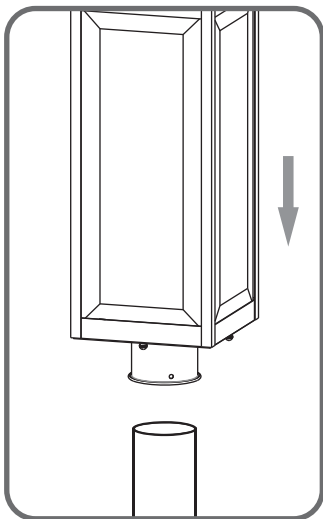
Install Bulb



**STEP 2**

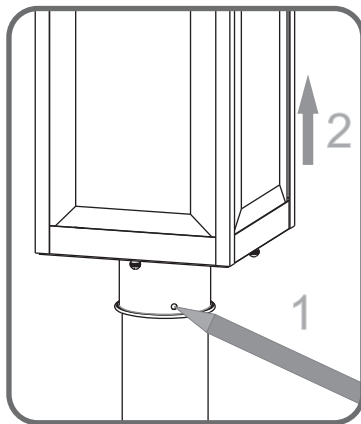
1

Step 1  
Place Post Fitter to Post

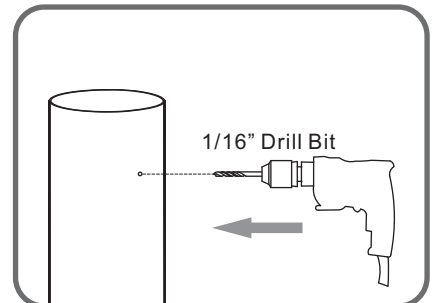
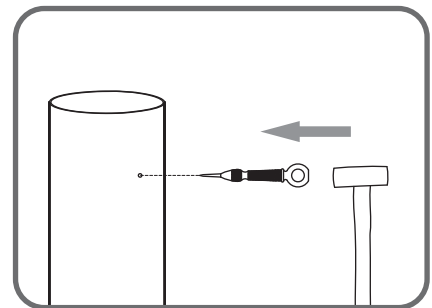


2

Step 2-3  
Mark Mounting Holes Location on Post



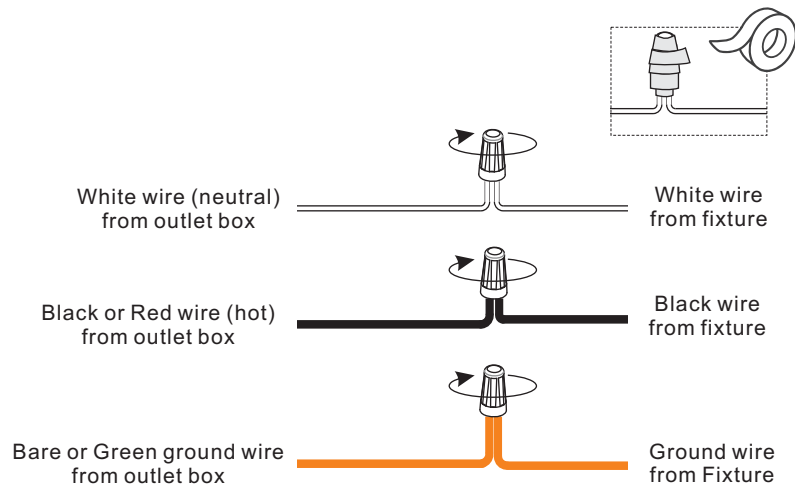
3



Step 4  
Drill Holes

4

### STEP 3



### STEP 4

