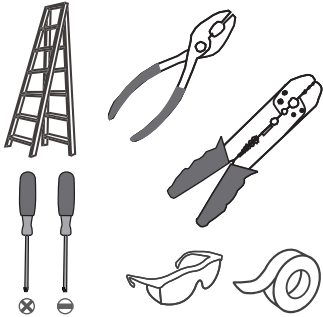
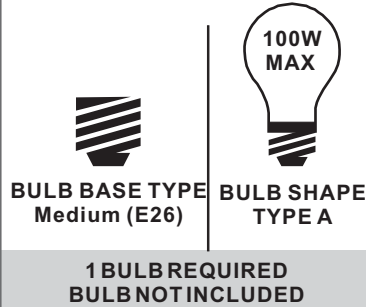


### Tools Required



### Light Source



### Warnings and Cautions

Turn off the electricity at the circuit breaker before installation. Consult a licensed electrician if in doubt about installation.

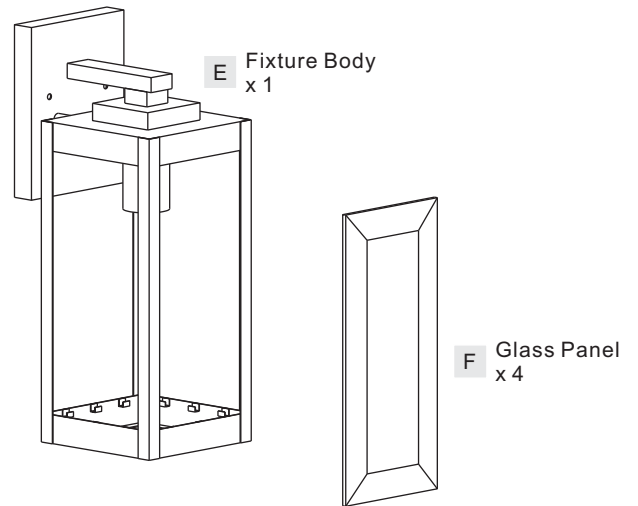
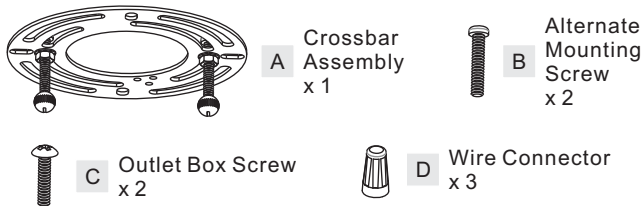
Turn off power to the fixture and allow the bulbs to cool before replacing.

### Package Contents



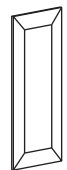
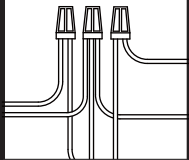
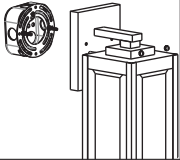

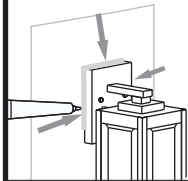
**Preparation:** Identify and inspect all parts before beginning the installation.

Missing or damaged parts? Contact your original place of purchase.

#### PARTS BAG




### Table of Contents

Alternate Mounting Screw	Crossbar Assembly	Glass Panel	Wiring	Fixture Body	Bulb	Caulk
						
STEP 1	STEP 2	STEP 3	STEP 4	STEP 5	STEP 6	STEP 7

# STEP 1


OPTION 1

Standard Mounting Screw  
Included (Pre-assembled)

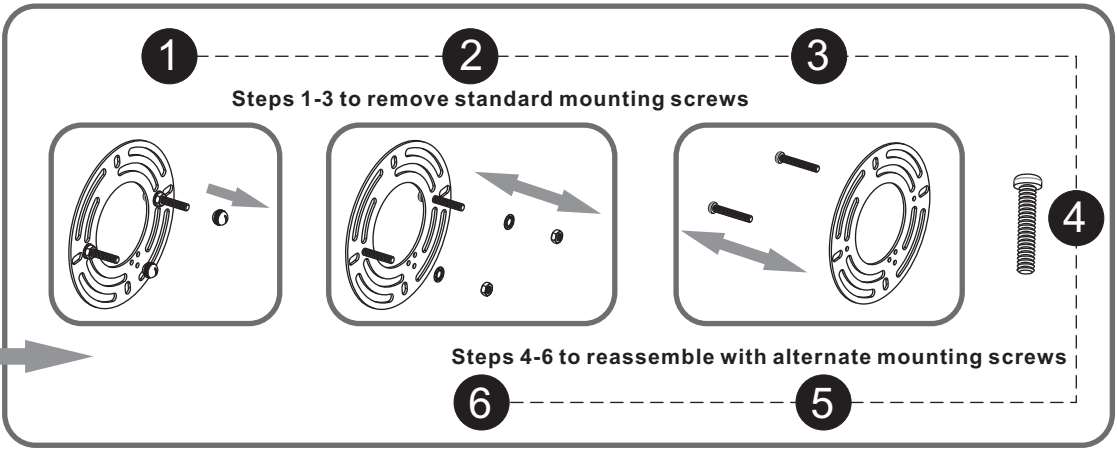


OPTION 2

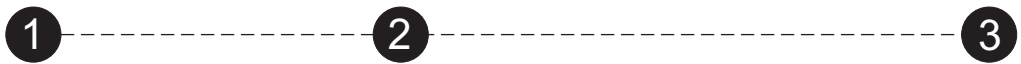
Alternate Mounting Screw  
Included



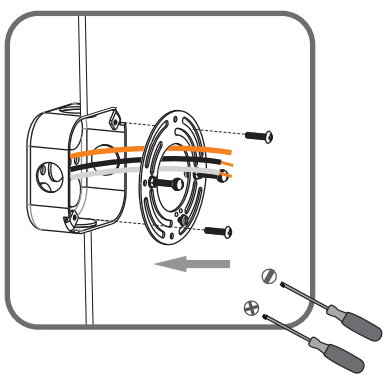
skip to next page



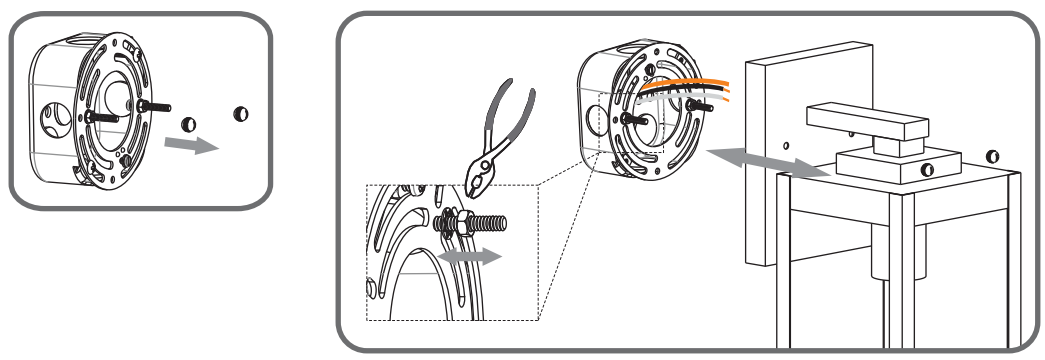
# STEP 2



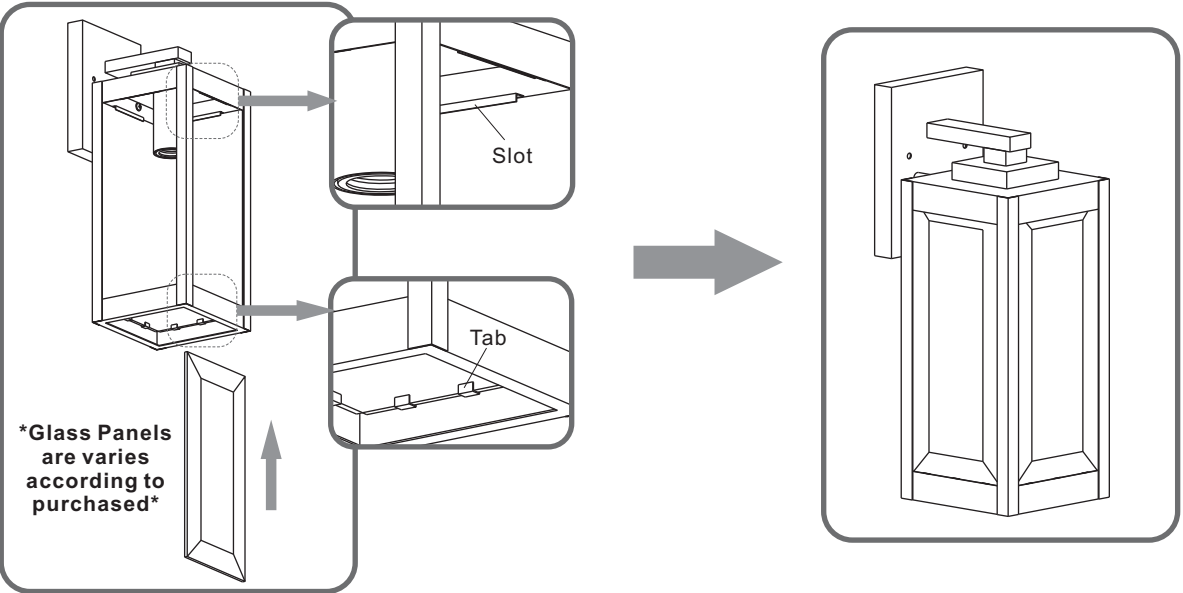
Step 1  
Install crossbar assembly



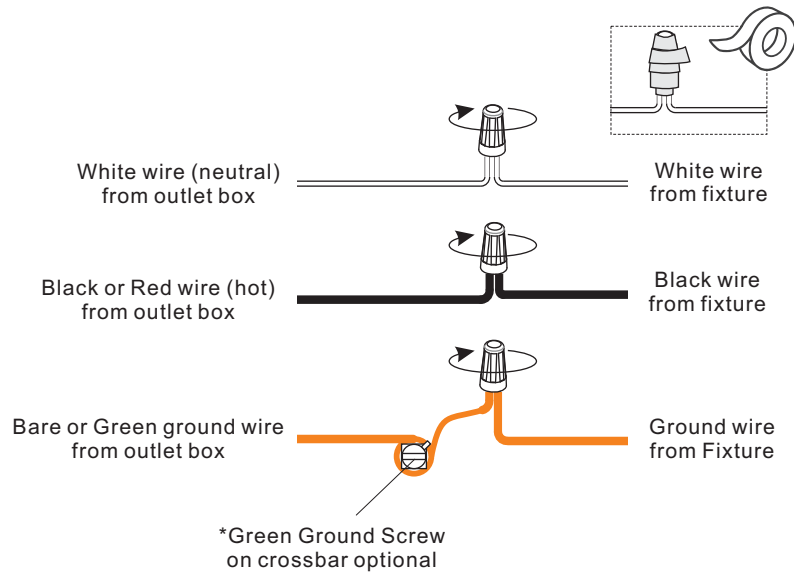
Step 2 - 3  
Test fitting backplate to mounting screws



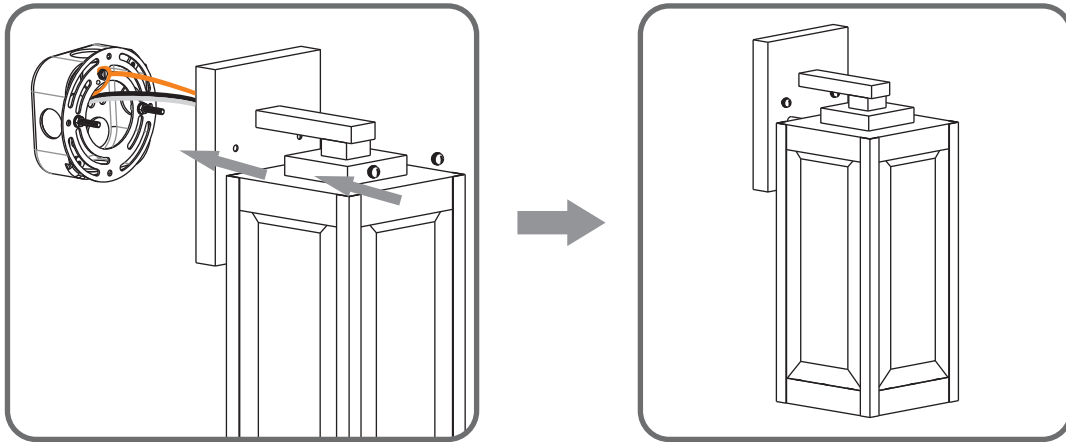
# STEP 3



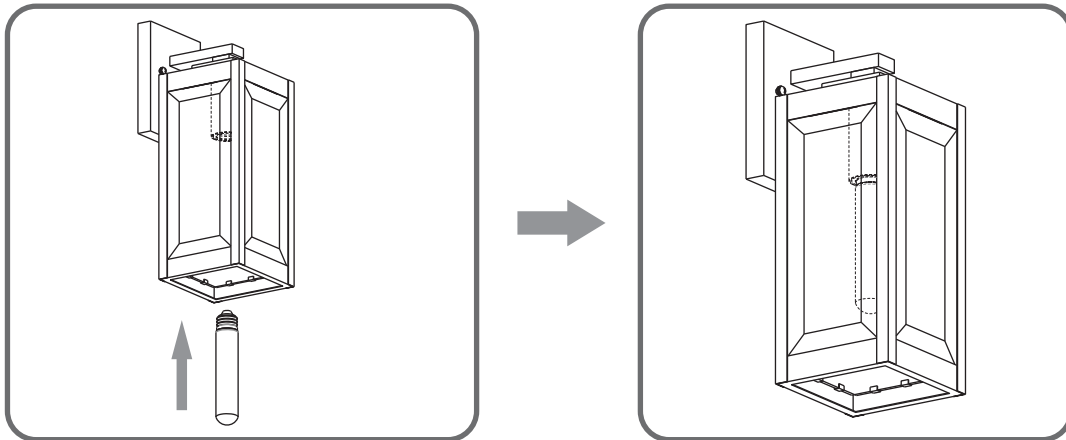
## STEP 4



## STEP 5



## STEP 6



**STEP 7**

