

**Tools Required:** Flathead screwdriver, Phillips screwdriver, pliers, wire cutters, wire strippers, electrical tape, safety glasses.

**Light Source:** (1) A21 Medium Base bulb 150W Maximum or

(1) Medium Base Vintage bulb is recommended but not supplied.

**Estimated Assembly Time:** 20-30 minutes

**Preparation:** Identify and inspect all parts before beginning installation. Check package content list and diagrams below to ensure all parts are present. If any parts are missing or damaged, do not attempt to assemble, install, or operate the fixture. Contact customer service for replacement parts.

### **⚠ Warnings and Cautions**

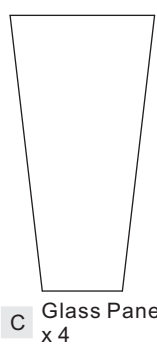
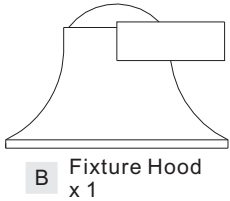
Turn off electricity at circuit breaker or main fuse box before installation. Consult a licensed electrician if in doubt.

These instructions are provided for your safety. It is very important you read them completely before installing the fixture. We strongly recommend that a licensed, professional electrician perform the installation.

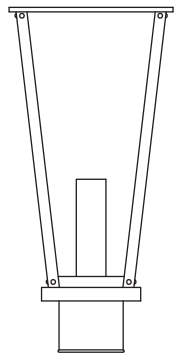
Disconnect fixture from power source before replacing bulbs. Make sure bulbs are given sufficient time to cool before removal.

### Package Contents

**A** Mounting Screw  
x 3



**C** Glass Panel  
x 4



**D** Fixture Body  
x 1

### STEP 2 – Mark the Location for the 3 Mounting Holes

A. Place the light fixture onto the post and mark the location of the 3 mounting holes on the fixture fitter onto the post with the marking pen.

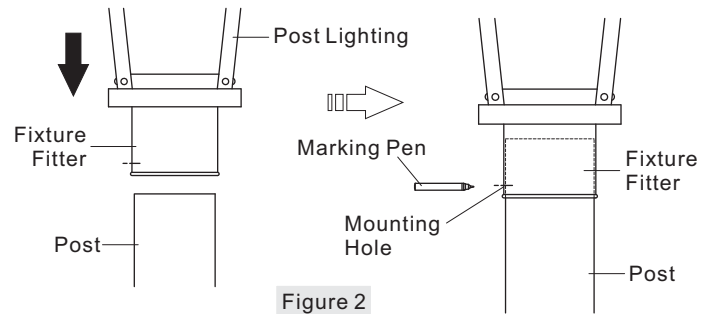


Figure 2

### STEP 1 – Install Glass Panels, Bulb and Fixture Hood

A. Remove Allen screws and tabs from the top edge of the cage and the Fixture Body (D).

B. Insert Glass Panels (C) into the slot in the bottom edge of the cage and the Fixture Body (D). Place tabs onto the top edge of Glass Panels (C) and align holes on tabs to mounting holes on the top edge of the cage and the Fixture Body (D). Secure by threading Allen screws back into the cage and the Fixture Body (D). Hand tighten until snug with screwdrivers.

C. Insert the bulb onto the socket and screw snugly into place.

D. Remove lock screws from the bottom edge of the Fixture Hood (B). Attach the Fixture Hood (B) onto the top edge of the Fixture Body (D) and secure with removed lock screws. Hand tighten until snug with screwdrivers.

E. Rotate the curve metal until it is just on the top of the Fixture Hood (B).

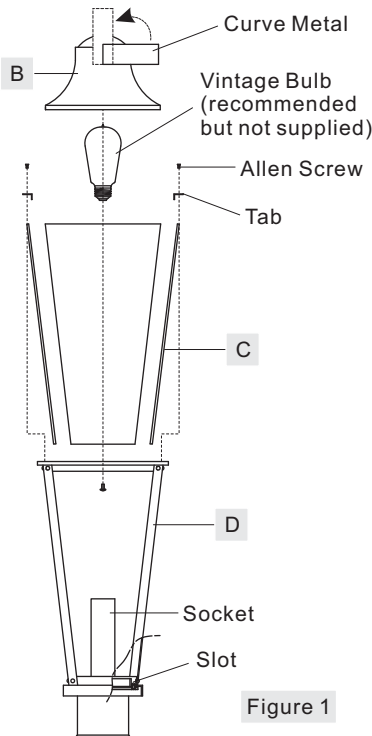


Figure 1

### STEP 3 – Marking the Center of Each Mounting Hole

A. Remove the light fixture. Using the center punch and hammer marking the center of each mounting hole location that is marked with the marking pen.

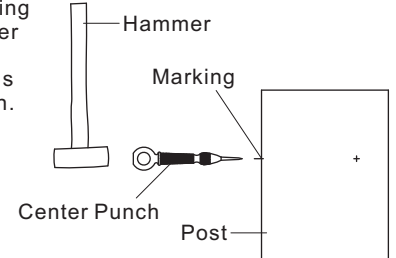


Figure 3

### STEP 4 – Drill Holes

A. Using the 1/16" bit and drill, drill a pilot hole completely through the post at each (3) locations marked in step 5 above.

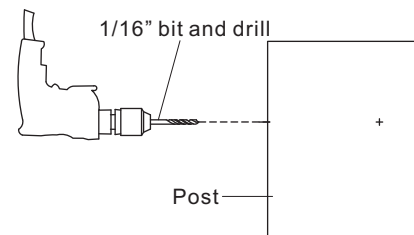


Figure 4

### STEP 5 - Wire Connections

A. Use standard wire connectors (not included) to make all wire connections. Twist connectors until wires are tightly joined together. Wrap each connection with approved electrical tape and carefully stuff all the connected wires into the Outlet Box.

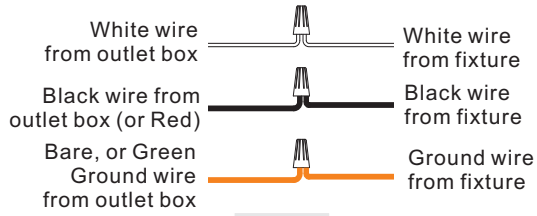


Figure 5

### STEP 6 - Attach the fixture to the Post Mount

A. Place the fixture on the post lining up the mounting holes on the fixture fitter with the holes on the post. Use the Mounting Screws (A) to attach the fixture to the post.

Your fixture is now assembled and ready to use. Enjoy!

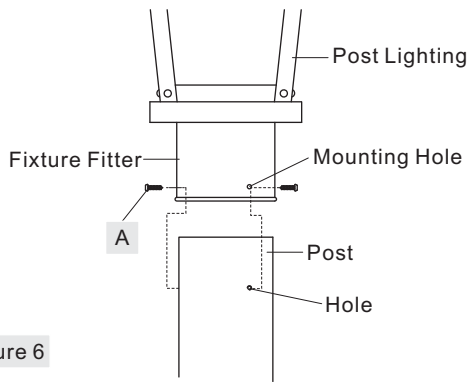
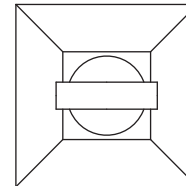
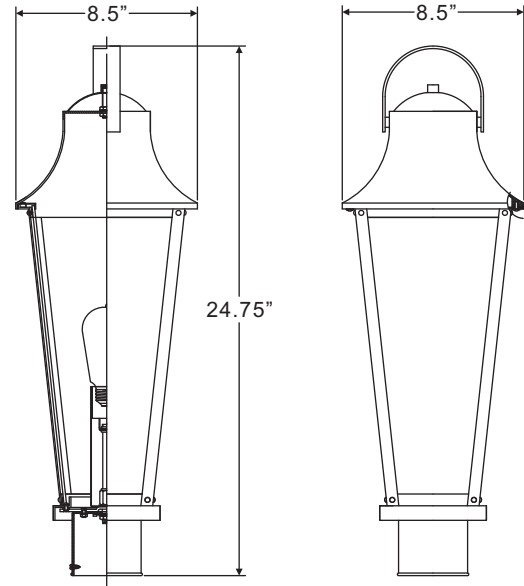


Figure 6

UQL1284



NOTE: ALL DIMENSIONS ARE ROUNDED UP TO THE NEAREST 1/4"