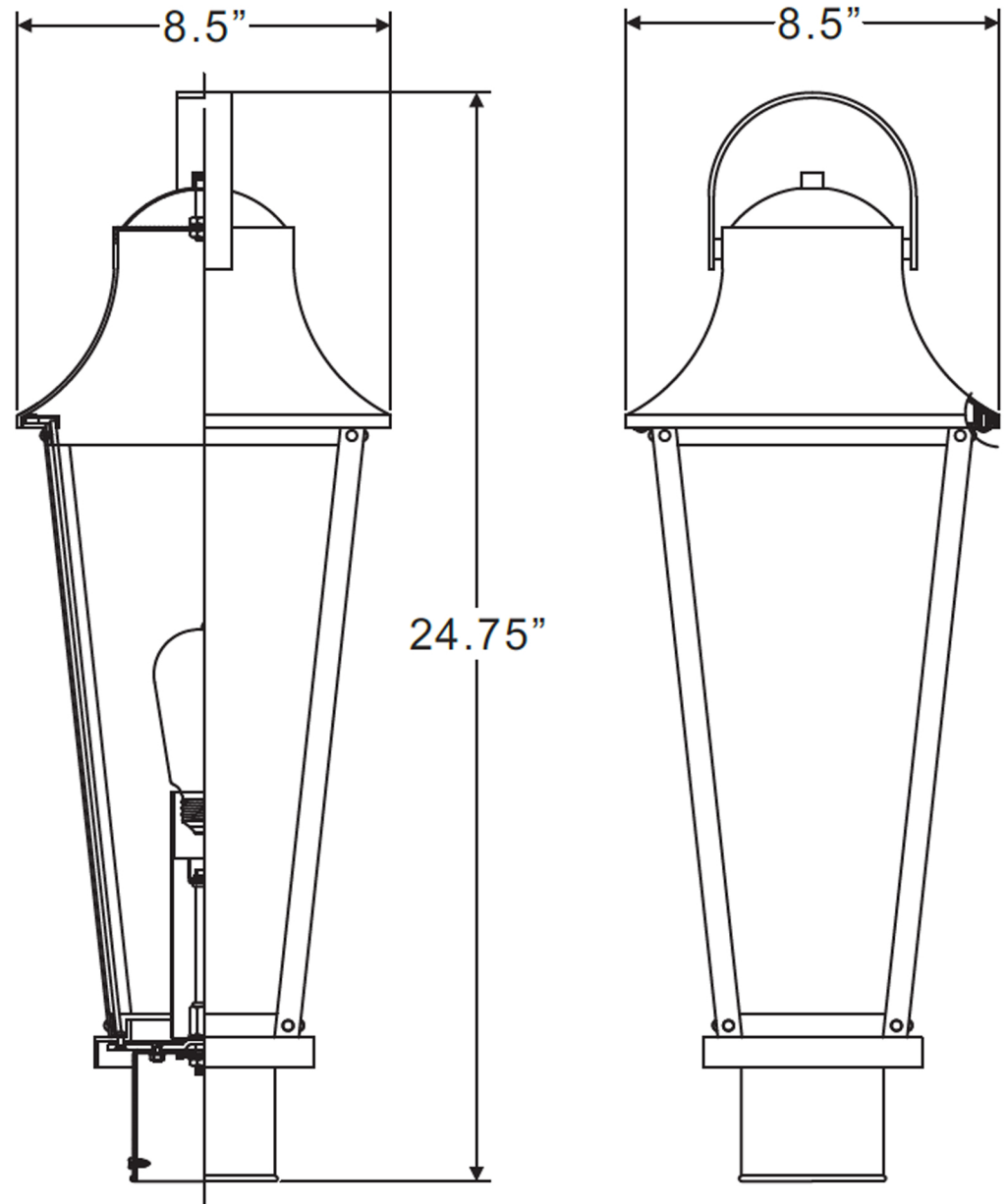


# urban ambiance

## UQL1284

EXTERIOR POST LIGHT



<b>Collection</b>	Constanța
<b>Finish</b>	Black Sand
<b>Shade</b>	Clear Seedy Glass Panel
<b>Bulb Type</b>	Incandescent
<b>Bulb Wattage</b>	150 W
<b>Number of Bulbs</b>	1
<b>Bulbs Included</b>	NO
<b>Certification</b>	ETL Listed
<b>Rated For</b>	Wet Locations
<b>Weight (in LBS)</b>	6.75
<b>Chain Length (in Feet)</b>	0
<b>Extension Rods (in Feet)</b>	0
<b>Material Construction</b>	Aluminum