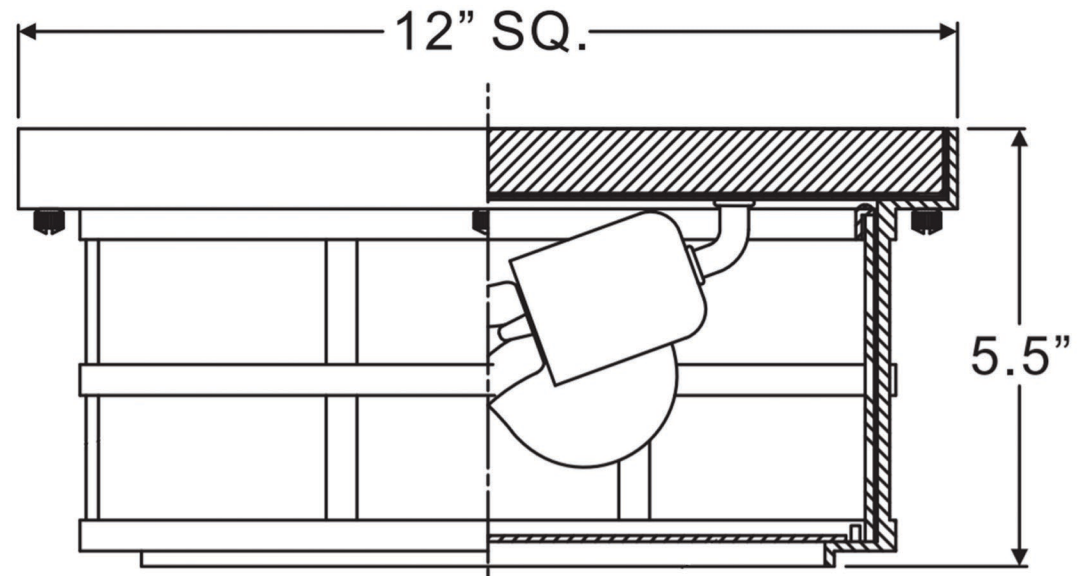


urban ambiance

UQL1249

EXTERIOR CEILING LIGHT



Collection	Zurich
Finish	Parisian Bronze
Shade	Clear Water Glass
Bulb Type	A19 Medium Base
Bulb Wattage	60
Number of Bulbs	2
Bulbs Included	No
Certification	ETL Listed
Rated For	Damp Locations
Weight	5 Pounds
Chain Length	N/A
Extension Rods	N/A
Material Construction	Acrylic