

Tools Required: Flathead screwdriver, Phillips screwdriver, pliers, wire cutters, wire strippers, electrical tape, safety glasses.

Bulb Recommended: (3) Candelabra Base 60W Maximum

Estimated Assembly Time: 30-45 minutes

Preparation: Identify and inspect all parts before beginning installation. Check package content list and diagrams below to be sure all parts are present. If any parts are missing or damaged, do not attempt to assemble, install, or operate the fixture. Contact customer service for replacement parts.

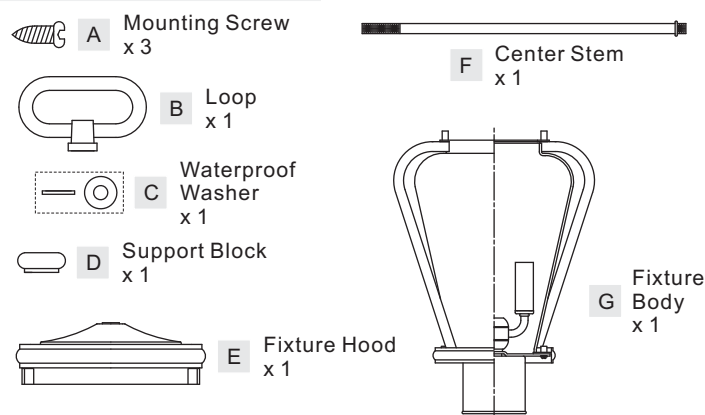
⚠ Warnings and Cautions

Turn off electricity at circuit breaker or main fuse box before installation. Consult a licensed electrician if in doubt.

These instructions are provided for your safety. It is very important you read them completely before installing the fixture. We strongly recommend that a licensed, professional electrician perform the installation.

Disconnect fixture from power source before replacing bulbs. Make sure bulbs are given sufficient time to cool before removal. Do not subject glass parts to any shock while in operation or shattering may result.

Package Contents



STEP 1 - Attach Fixture Hood and Loop

- This fixture uses candelabra bulb with standard screw base. Maximum 60 watts. Insert bulb and screw snugly into place.
- Thread the beaded end of the Center Stem (F) into the mounting hole in the center of the Fixture Body (G). Hand tighten until snug.
- Place Fixture Hood (E), Support Block (D) and Waterproof Washer (C) over the top end of the Center Stem (F) in turn. Secure them with the Loop (B). Hand tighten until snug.

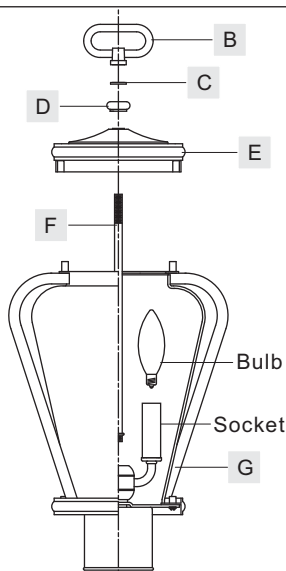


Figure 1

STEP 2 - Drill Pilot Holes on Post

- Carefully fit the Post Fitter over the end of the Post (not supplied), making sure the Post Fitter is fully seated.
- Mark the drill point for the (3) Mounting Screws, using (3) Mounting Holes as reference. After marking hole locations, remove fixture

from post and drill 1/16" pilot holes for screws.

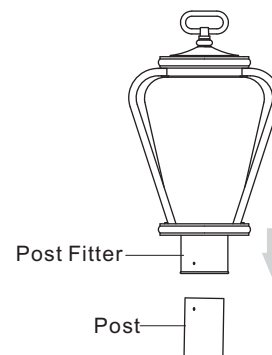


Figure 2

STEP 3 - Wire Connections

A. Use standard wire connectors (not included) to make all wire connections. (Connectors are not included with fixture.) Twist connectors until wires are tightly joined together. Wrap each connection with approved electrical tape and carefully stuff all the connected wires into the Outlet Box.

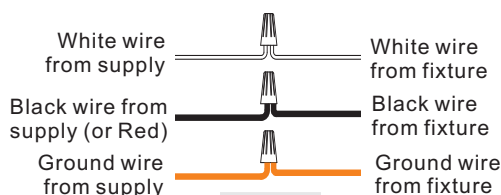


Figure 3

STEP 4 - Attach Fixture Body to Post

- Coat the top 1" of the Post with Clear Silicone Caulk (not supplied) and position the Post Fitter onto the Post. Be sure to seat it completely, aligning the holes in the Fitter with the 1/16" Pilot Holes drilled into the Post.
- Secure the Fixture to Post with (3) Mounting Screws.

Your fixture is now assembled and ready to use. Enjoy!

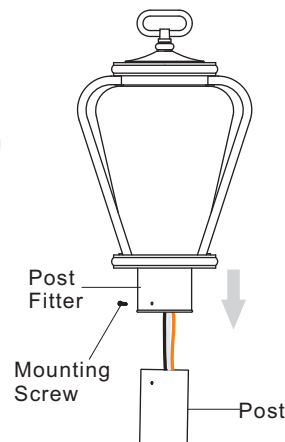
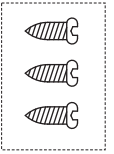


Figure 4

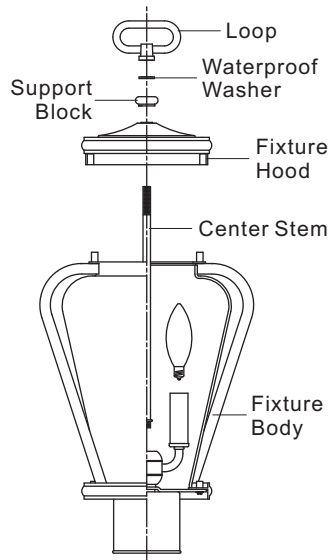
Replace Shade

SKU: UQL1203



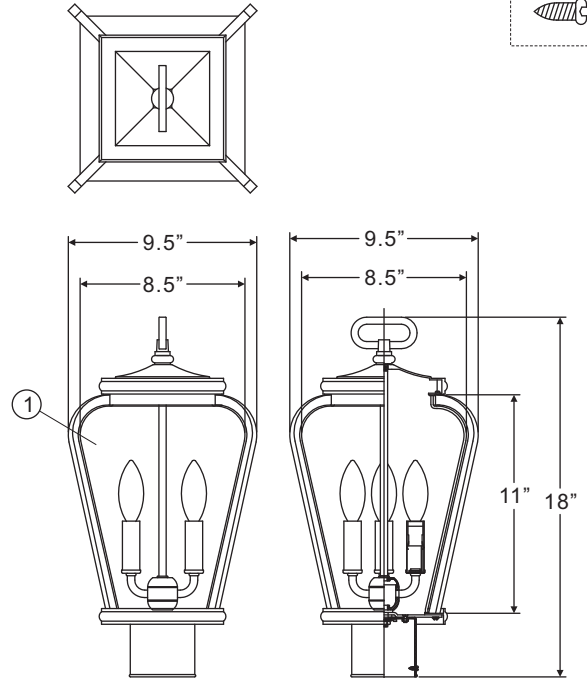
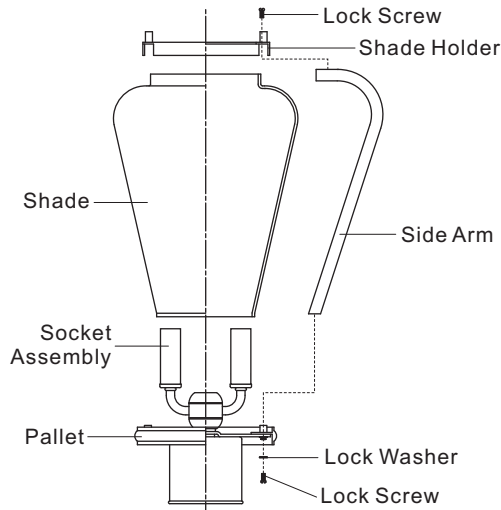
STEP 1 – Remove Fixture Hood

- A. Unscrew Loop, remove Waterproof Washer, Support Block and Fixture Hood from the Fixture Body.
- B. Remove Center Stem and bulbs from the Shade Assembly.



STEP 2 – Replace Shade

- Quoizel recommends two people for this step.
- A. Remove two Side Arms by unscrewing Lock Screws on the top of the Shade Holder and the bottom of Pallet.
 - B. With one person hold fixed Side Arms, another person replace the Shade inside of the Side Arms.
 - C. Reassemble removed Side Arms back onto the Shade Assembly and secure with Lock Screws. Tighten until snug.
 - D. Reassemble the rest parts back onto the Socket Assembly and hand tighten until snug.



(3) 60W Candelabra Base Bulbs (Not Supplied)

NOTE: ALL DIMENSIONS ARE ROUNDED UP TO THE NEAREST 1/2"

NO.	PART NUMBER	REPLACEMENT PART	REQ.
1	UQL1203SH	SHADE	1