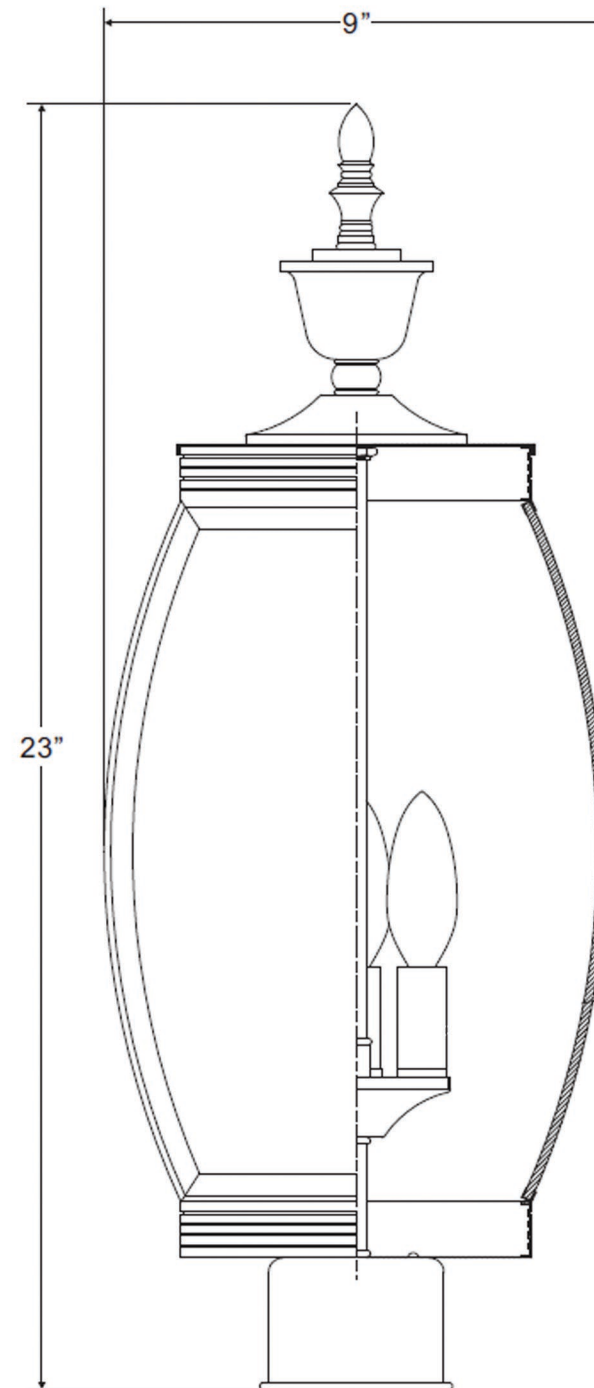


# urban ambiance

## UQL1174

EXTERIOR POST/PIER LIGHT



<b>Collection</b>	Manchester
<b>Finish</b>	Medieval Bronze
<b>Shade</b>	Clear Beveled Glass
<b>Bulb Type</b>	B10 Candelabra Base
<b>Bulb Wattage</b>	60
<b>Number of Bulbs</b>	3
<b>Bulbs Included</b>	No
<b>Certification</b>	ETL Listed
<b>Rated For</b>	Wet Locations
<b>Weight</b>	7.49 Pounds
<b>Chain Length</b>	N/A
<b>Extension Rods</b>	N/A
<b>Material Construction</b>	Brass