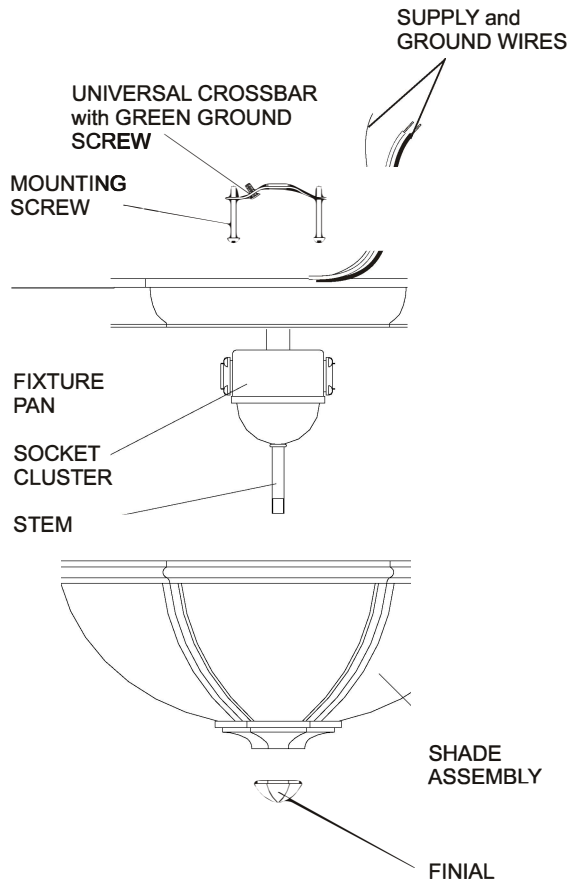


**ASSEMBLY / INSTALLATION INSTRUCTIONS:**

1. Carefully unpack and identify all parts referring to Figure 1 for parts identification.
2. Turn power to the installation point OFF. Locate and attach the CROSSBAR to the ceiling mounted OUTLET BOX with (2) OUTLET SCREWS (not supplied).
3. **Make the connections: (Quoizel recommends (2) people for the next (2) steps).** Locate and position the FIXTURE ASSEMBLY under the OUTLET BOX. Connect the HOUSE GROUND WIRE to the FIXTURE GROUND WIRE. Secure both to the CROSSBAR with GREEN GROUND SCREW. Using wire connectors (not supplied), connect the HOUSE WHITE WIRE to the FIXTURE SUPPLY WIRE (RIBBED or WHITE side); connect the HOUSE BLACK (or RED) WIRE to the FIXTURE SUPPLY (SMOOTH or BLACK side). Wrap all connections with approved electrical tape.
4. With all of the connections properly made, carefully tuck all wires into the OUTLET BOX cavity and pass the (2) MOUNTING SCREWS attached to the CROSSBAR through the (2) MOUNTING SLOTS on the inside deck of the FIXTURE PAN. Rotate the pan so that the screws properly engage (2) MOUNTING SLOTS. Secure FIXTURE PAN against ceiling with by tightening (2) MOUNTING SCREWS with slotted screwdriver. Be sure there are no trapped or pinched wires.
5. Install bulbs referring to fixture markings and / or labels for maximum wattage.
6. Thread the STEM into the underside of the SOCKET CLUSTER. Hand tighten until snug.
7. Locate the SHADE ASSEMBLY. Pass the assembly over the STEM. The top of the assembly will check into the underside of the FIXTURE PAN. With another person holding the assembly in place, thread the FINIAL onto end of STEM. Hand tighten until snug.
8. Restore power to the installation point ON and retain this sheet for future reference.

**FIGURE 1**



IF IN DOUBT ABOUT ELECTRICAL INSTALLATION,  
CONSULT A LICENSED ELECTRICIAN!