

**Tools Required:** Flathead screwdriver, Phillips screwdriver, pliers, wire cutters, wire strippers, electrical tape, safety glasses.

**Light Source:** (1) Medium Base Decorative Filament 60W bulb (provided), Maximum 100W, Alternate bulb (1) 23W CFL Maximum.

**Estimated Assembly Time:** 20-30 minutes

**Preparation:** Identify and inspect all parts before beginning installation. Check package content list and diagrams below to be sure all parts are present. If any parts are missing or damaged, do not attempt to assemble, install, or operate the fixture. Contact customer service for replacement parts.



### Warnings and Cautions

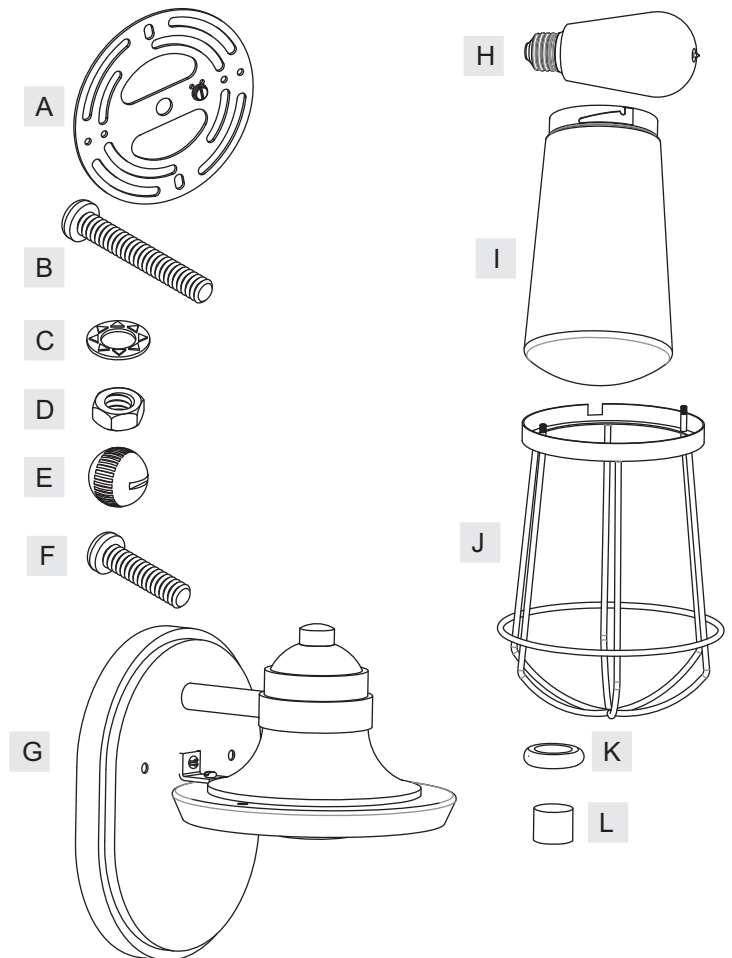
Turn off electricity at circuit breaker or main fuse box before installation. Consult a licensed electrician if in doubt.

These instructions are provided for your safety. It is very important you read them completely before installing the fixture. We strongly recommend that a licensed, professional electrician perform the installation.

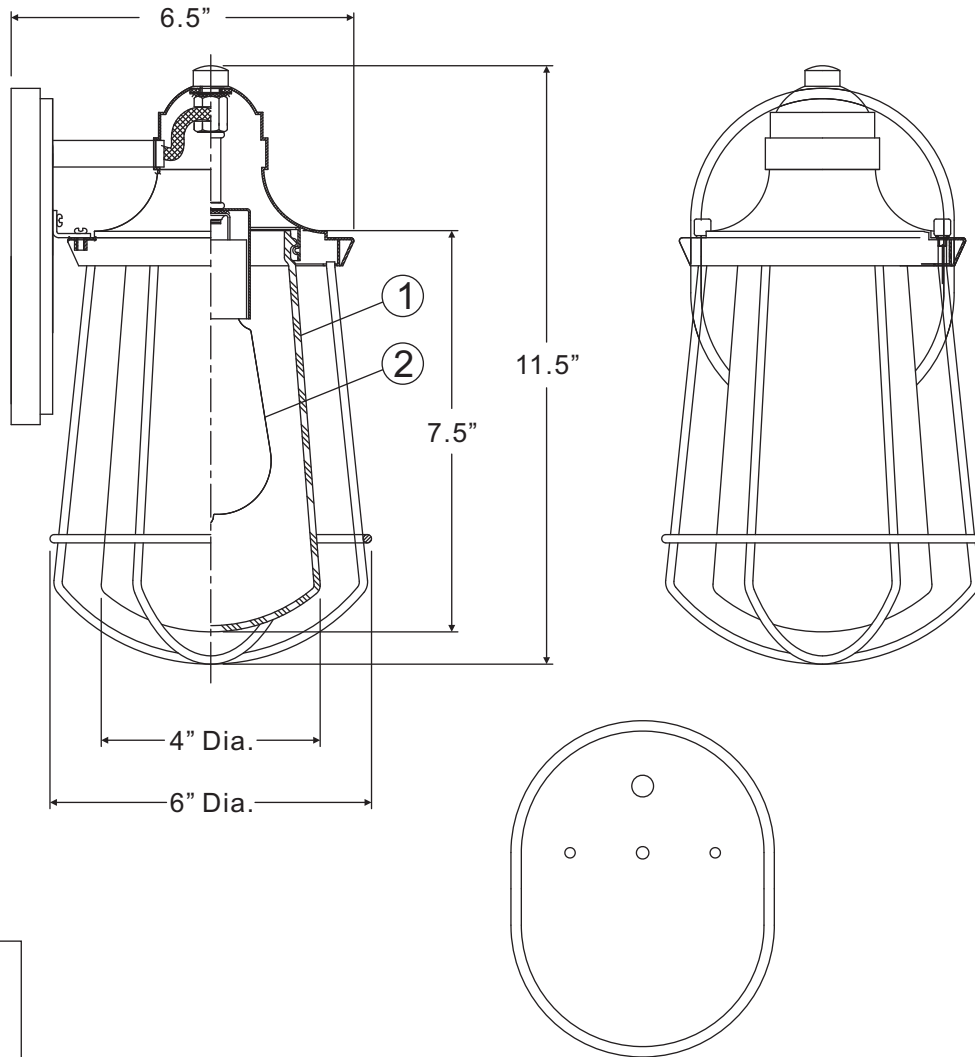
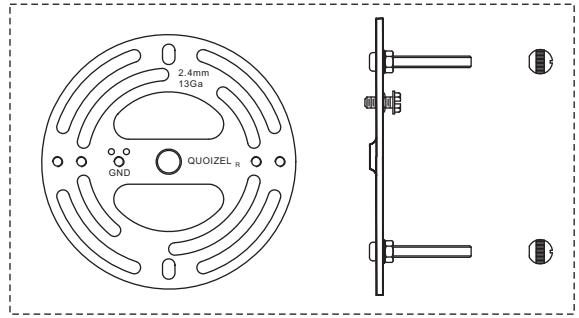
Disconnect fixture from power source before replacing bulbs. Make sure bulbs are given sufficient time to cool before removal. Do not subject glass parts to any shock while in operation or shattering may result.

### Package Contents

Part	Description	Quantity
A	Crossbar	1 pc.
B	Mounting Screw	2 pcs.
C	Lock Washer	2 pcs.
D	Hex Nut	2 pcs.
E	Mounting Ball	2 pcs.
F	Alternate Mounting screw	2 pcs.
G	Fixture Body	1 pc.
H	Bulb	1 pc.
I	Shade	1 pc.
J	Cage	1 pc.
K	Washer	2 pcs.
L	Lock Knob	2 pcs.



SKU: UQL1120



(1) Medium Base  
Decorative  
Filament 60W  
bulbs (provided),  
Maximum 100W.

NOTE: ALL DIMENSIONS ARE ROUNDED UP TO THE NEAREST 1/2"

NO.	PART NUMBER	REPLACEMENT PART DESCRIPTION	REQ.
1	UQL1120SH	GLASS CLEAR SEEDY 4" D	1
2	UQL1120BU	REPRODC 60W 1910 INCANDESCENT BULB	1

### STEP 1 – Attach Mounting Screws, Lock Washers and Hex Nuts to Crossbar

- A. Line up a set of holes on the Crossbar (A) and Holes on the Backplate of the Fixture Body (G).
- B. Thread Mounting Screws (B) or Alternate Shorter Mounting Screws (F) into the holes on the Crossbar (A), pass Lock Washers (C) and thread Hex Nut (D) onto the Mounting Screws (B) or Alternate Shorter Mounting Screws (F). Hand tighten until snug.

Note: Use the Alternate Shorter Mounting Screw (F) if your installation requires a shorter mounting screw.

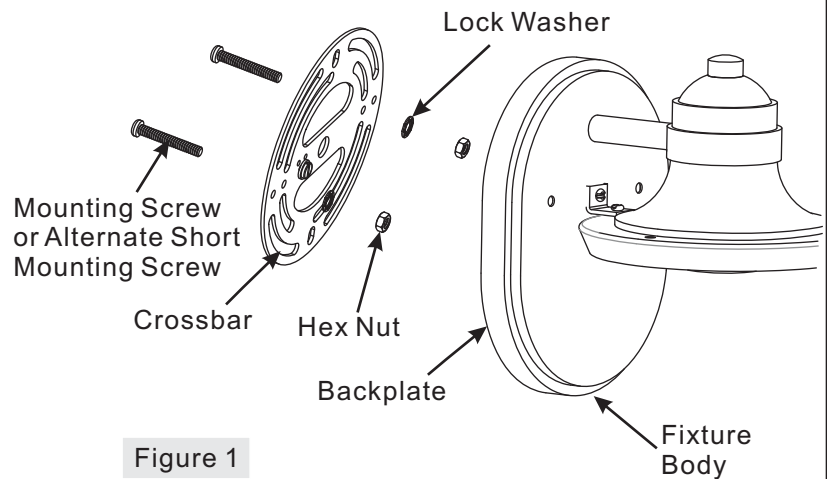


Figure 1

### STEP 2 – Attach Crossbar to Outlet Box

- A. Attach the Crossbar (A) to Outlet Box and secure by threading Outlet Box Screws (not supplied) into the Mounting Holes on the Outlet Box. Tighten until snug.

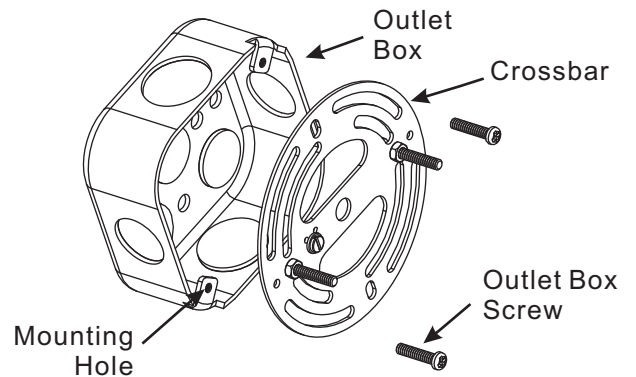


Figure 2

### STEP 3 – Make Wire Connections

- A. Use standard wire connectors to make all wire connections. (Connectors are not included with fixture.) Strip and prepare wire ends according to instructions supplied with connectors.
- B. Connect White Supply Wire from the Outlet Box to White Wire from fixture.
- C. Connect Black (or Red) Supply Wire from the Outlet Box to Black Wire from fixture.
- D. Connect Ground Wire from the Outlet Box to Ground Wire from fixture.
- E. Twist connectors until wires are tightly joined together.
- F. Wrap each connection with approved electrical tape and carefully stuff all the connected wires into the Outlet Box.

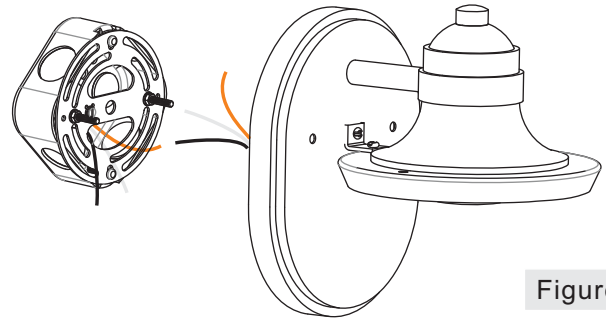


Figure 3

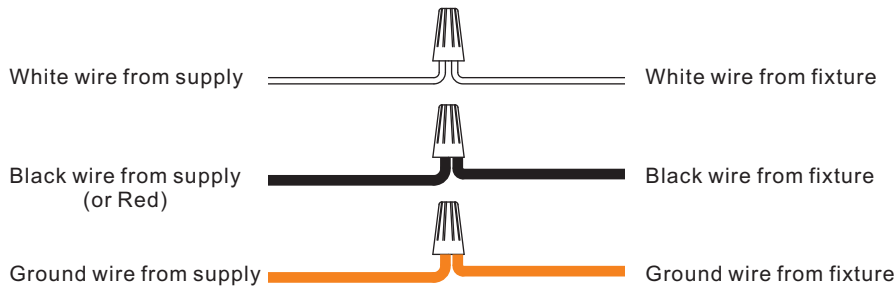


Figure 4

### STEP 4 – Attach Fixture Body to Mounting Screw

- A. Place the Backplate of the Fixture Body (G) over the Mounting Screws (B) or the Alternate Short Mounting Screws (F) and secure with Mounting Balls (E). Hand tighten until snug.

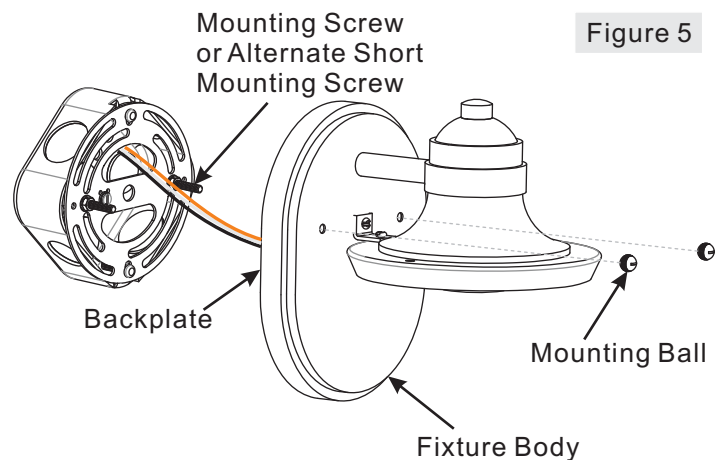
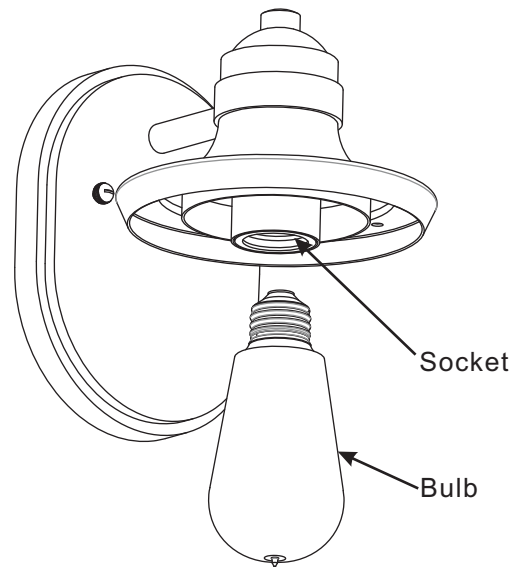


Figure 5

### STEP 5 – Install Bulb

- A. This fixture uses Medium Base Decorative Filament 60W bulb (H), Maximum 100W. Insert bulb and screw snugly into place.

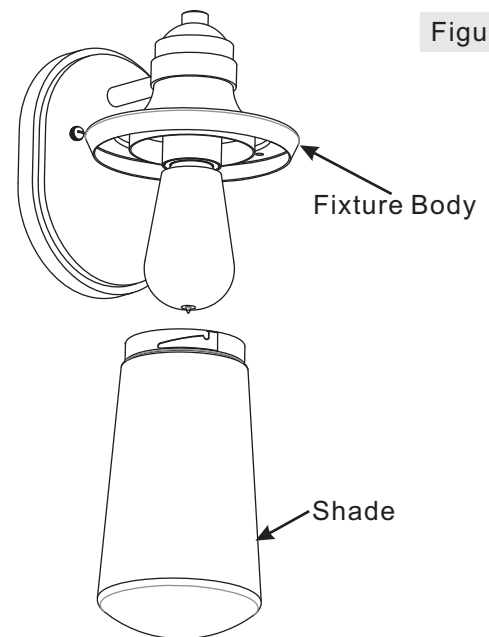
Figure 6



### STEP 6 – Attach Shade to Fixture Body

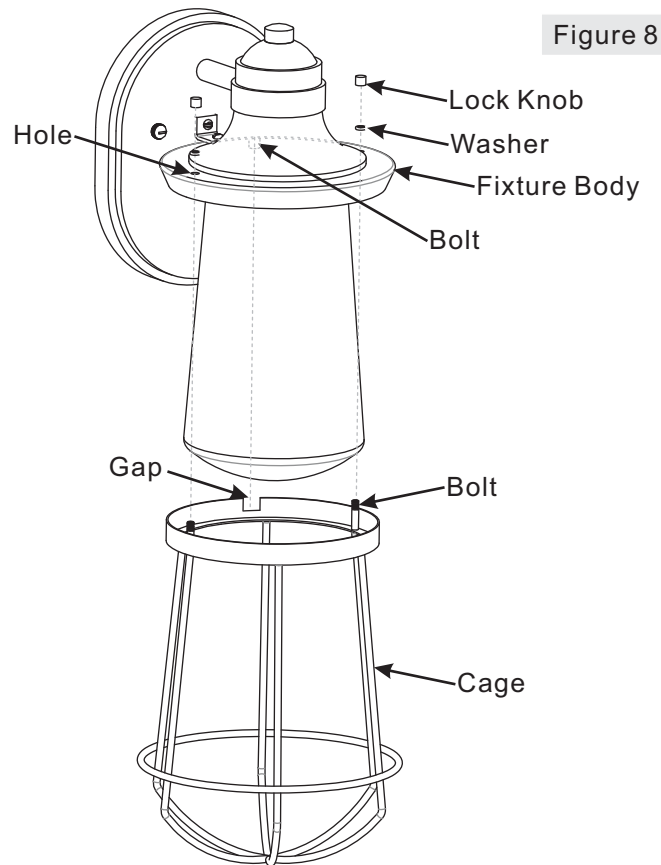
- A. Thread Shade (I) to Fixture Body (G), hand tighten until snug.

Figure 7



### STEP 7 – Attach Cage to Fixture Body

A. Pass the Bolt on the top of Cage (J) through the Hole on the Fixture Body (G). Place the Washer (K) over the Bolt, secure by thread the Lock Knobs (L) onto the Bolt on the top of Cage (J). Hand tighten until snug. Please make sure the gap on the Cage and the Bolt in the hood in a line.



### STEP 8 – Apply Silicone Sealer to Backplate

A. Make sure exterior wall surface and fixture backplate are free of dirt before applying caulk. Using exterior grade caulk, start on one side of fixture backplate and follow contour, where the fixture backplate meets the exterior wall surface upward. Proceed to caulk over top of backplate and down other side. Do not caulk bottom of fixture backplate to ensure proper moisture drainage.

Your fixture is now assembled and ready to use.  
Enjoy!

