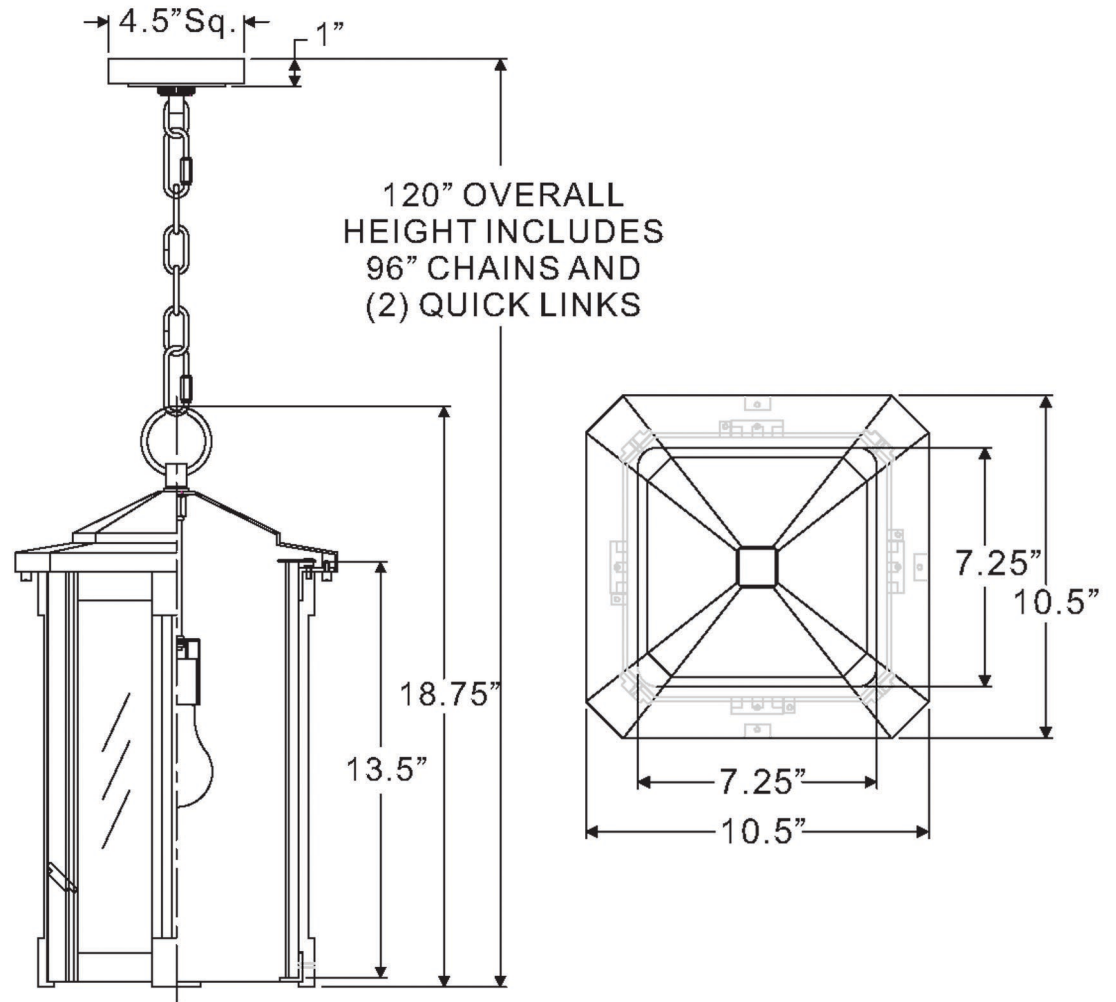


urban ambiance

UQL1054

EXTERIOR PENDANT LIGHT



Collection	London
Finish	Natural Black
Shade	Clear Water Glass
Bulb Type	A21 Medium Base
Bulb Wattage	150
Number of Bulbs	1
Bulbs Included	No
Certification	ETL Listed
Rated For	Damp
Weight	14.7 Pounds
Chain Length	8 Feet
Extension Rods	N/A
Material Construction	Aluminum