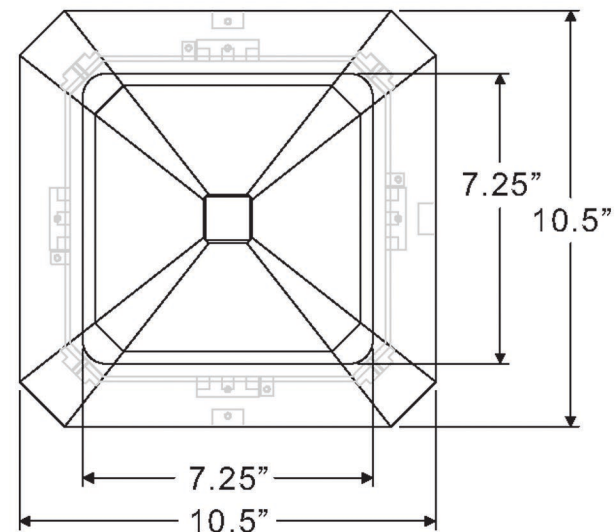
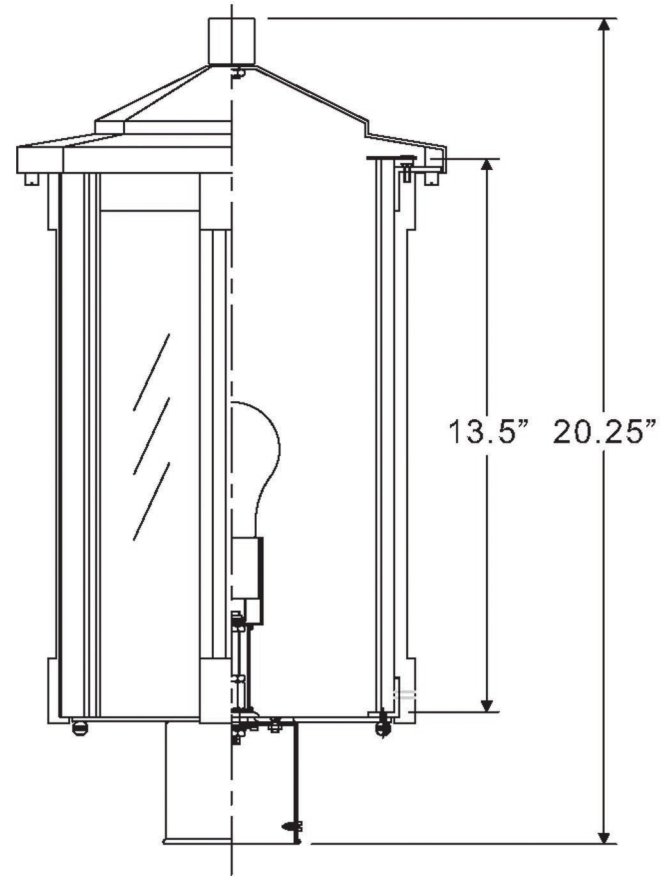


urban ambiance

UQL1053

EXTERIOR POST/PIER LIGHT



| | |
|------------------------------|-------------------|
| Collection | London |
| Finish | Natural Black |
| Shade | Clear Water Glass |
| Bulb Type | A21 Medium Base |
| Bulb Wattage | 150 |
| Number of Bulbs | 1 |
| Bulbs Included | No |
| Certification | ETL Listed |
| Rated For | Wet |
| Weight | 14.8 Pounds |
| Chain Length | N/A |
| Extension Rods | N/A |
| Material Construction | Aluminum |