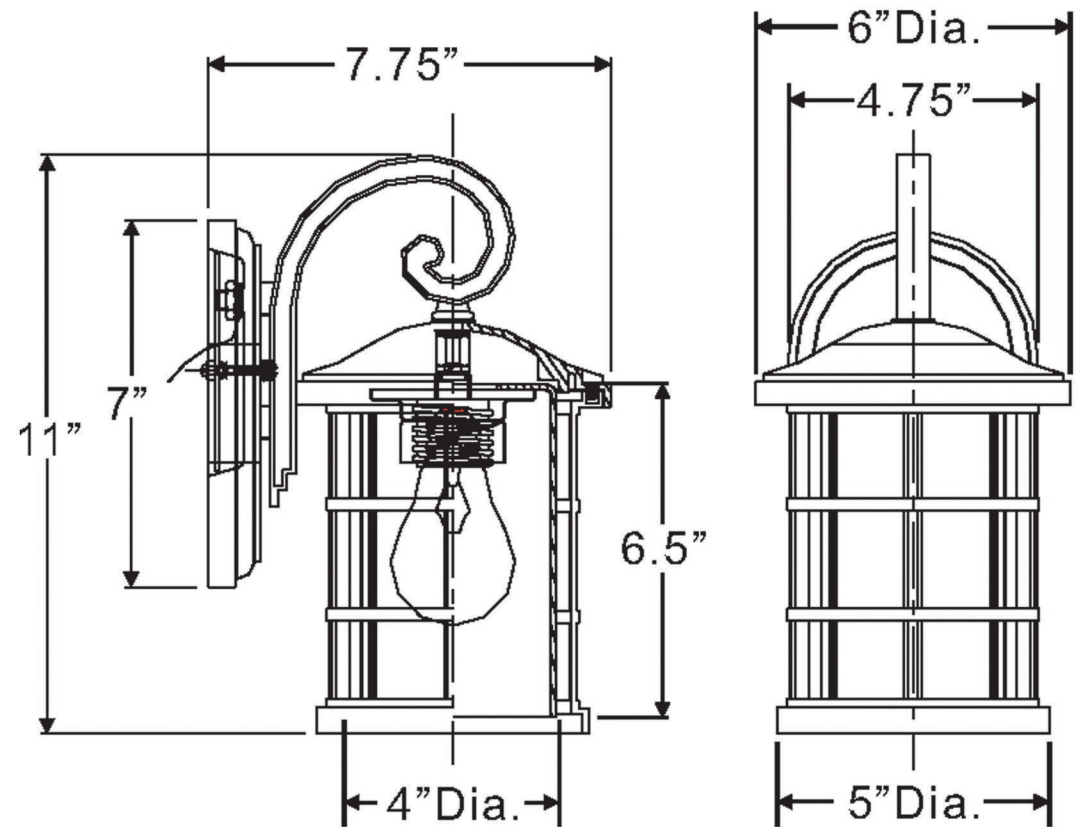


urban ambiance

UQL1041

EXTERIOR WALL SCONCE



| | |
|------------------------------|-------------------|
| Collection | Vienna |
| Finish | Parisian Bronze |
| Shade | Clear Seedy Glass |
| Bulb Type | A19 Medium Base |
| Bulb Wattage | 100 |
| Number of Bulbs | 1 |
| Bulbs Included | No |
| Certification | ETL Listed |
| Rated For | Wet |
| Weight | 2.16 Pounds |
| Chain Length | N/A |
| Extension Rods | N/A |
| Material Construction | Acrylic |