

parts enclosed:

Item	Description	Q'ty
A	Mounting plate	1
B	Wire connector	3
1	Canopy	1
2	Nut	2
3	Loop	1
4	Nipple (already fixed on rods)	5
5	Rod	1*6" 4*12"
6	Nipple (already fixed on fixture)	1
7	Bulb (not included)	

important safety instructions:

CONSULT A QUALIFIED ELECTRICIAN TO ENSURE CORRECT BRANCH CIRCUIT CONDUCTOR.

1. We recommend installation by a licensed electrician.
2. To avoid the risk of fire, do not exceed the recommended wattage .

warnings:

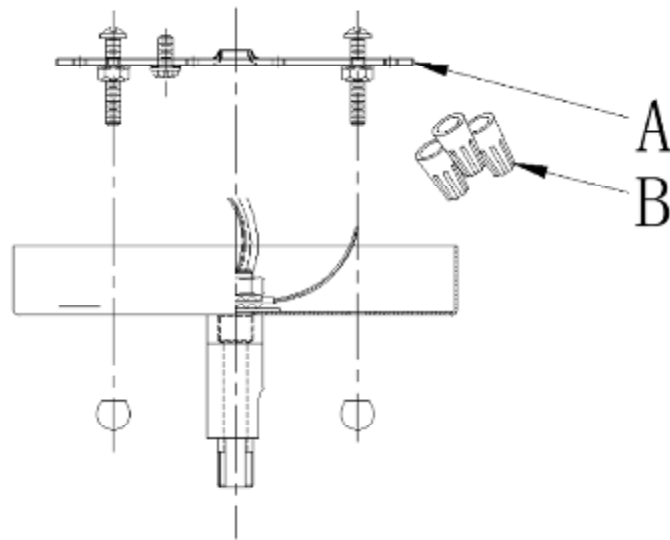
1. All wires are connected. Do not remove the fixture from packaging by pulling on the wires as a bad connection may result.
2. To avoid the risk of fire, electrical shock, or personal injury, always turn off fixture and allow it to cool prior to replacing the lightbulb.
3. Do not touch bulb when fixture is turned on or look directly at lit bulb.
4. Keep flammable materials away from lit bulb.

to assemble:

1. Carefully remove all parts from the box and remove all protective coverings. Take care not to lose any small parts.
2. Turn OFF power at the outlet box where the fixture will be installed.
3. Determine desired hanging height, feed the wires through Rod (5), Loop (3), Canopy (1) and screwed them until tight.
4. Attach the Mounting Plate (A) to outlet box, tighten with a screwdriver. Ensure the side of the Mounting Plate (A) marked "GND" is facing out.
5. While holding the fixture, connect the black wire from fixture to the hot wire (usually black or smooth) from the outlet box using a wire connector (B). Connect the white wire from fixture to the neutral wire (usually white or ribbed) from the outlet box using a wire connector (B). **DO NOT REVERSE THE HOT AND NEUTRAL WIRE CONNECTIONS; OTHERWISE, SAFETY WILL BE COMPROMISED.**
6. If the outlet box has a ground wire (green or bare copper), connect the green ground wire from the fixture to it using a wire connector (B). If the outlet box does not have a ground wire, connect the green ground wire from the fixture to the green ground screw provided on the Mounting Plate (A).
7. Tuck these wire connections neatly into the outlet box, raise the Canopy (1) over Mounting Plate (A) and align the holes on the Canopy (1) with the corresponding holes on the Mounting Plate (A), secure the Canopy (1) with Canopy Nut (2) until the fixture is secured to the ceiling.
8. Install the proper light bulb (not included) in accordance with the fixture's specifications (DO NOT EXCEED THE SPECIFIED WATTAGE RATING).
9. The tubes can be adjusted to different distance you like.
10. Installation is completed. Turn on the power at the circuit breaker or fuse box. Turn the light switch to activate the fixture.
11. The glass shade is just for reference. The shade will be different on different

Assembly Instructions

items.



The pic is just for wire connection. Some parts will be small different from actuals.

