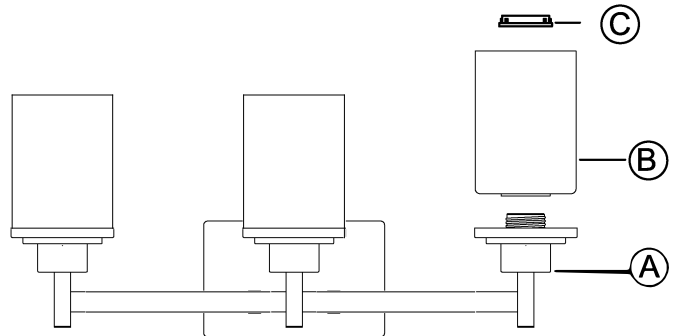


# urban ambiance

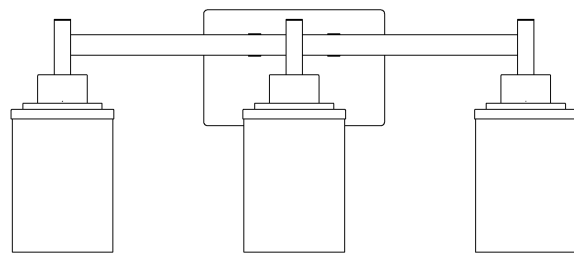
SKU: ULB2160

## PACKAGE CONTENTS

PART	DESCRIPTION	QUANTITY
A	Fixture	1
B	Glass	3
C	Socket ring	3



-Or-



## HARDWARE CONTENTS (not actual size)

(AA)

(BB)

(CC)

(DD)

(EE)



Stud  
(#8-32 x 1-1/4")  
Qty:2

Wire nut  
Qty:3

Round nut  
Qty:2

Circular strap  
Qty:1

Hex nut  
Qty:2



## SAFETY INFORMATION

Please read and understand this entire manual before attempting to assemble, operate or install the product.

**CAUTION:** Read instructions carefully and turn electricity off at main circuit breaker panel before beginning installation.

**WARNING:** If any Special Control Devices are used with this fixture, follow instructions carefully to assure full compliance with N.E.C. requirements. If there are any questions, contact a qualified electrical contractor.

**CAUTION:** All glass is fragile. Use care when handling glass shades and bulbs.

## PREPARATION

1. Before beginning installation, make sure all parts are included using the contents diagrams from page 1. If any part is missing or damaged, do not attempt to assemble, install or operate the product.
2. Estimated assembly time: 30 minutes.
3. Tools required for assembly (not included): Phillips screwdriver, pliers, wire stripper, safety glasses, electrical tape, ladder.

## CARE AND MAINTENANCE

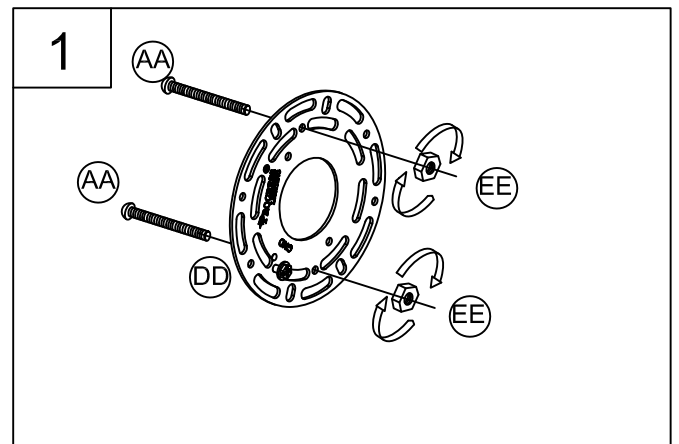
Shut off main power supply before cleaning product or changing light bulbs. To clean, wipe with damp cloth. Do not use abrasive cleaners or cleaners that contain alcohol.

## ASSEMBLY INSTRUCTIONS

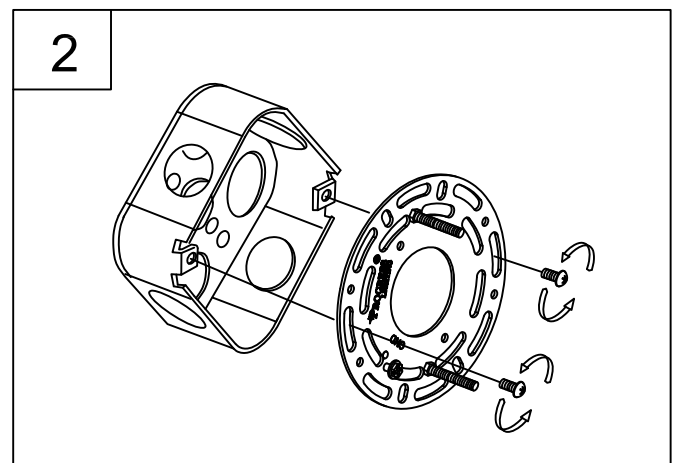
1. Screw stud(AA) onto circular strap(DD) and use hex nut(EE) to secure it tight.

### Hardware Used

	Stud		X2
	Circular strap		X1
	Hex nut		X2



2. Attach assembled parts from Step 1 onto junction box using the mounting screws supplied with the junction box (not included).



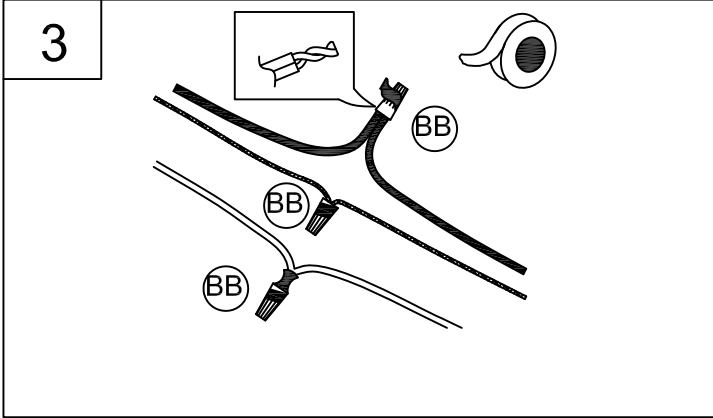
# ASSEMBLY INSTRUCTIONS

3. Strip  $\frac{3}{8}$ " of insulation from the electrical wire ends. Using wire nuts (BB), connect white fixture wire to the white supply wire from the junction box; connect the fixture black wire to the black supply wire.

Connect the fixture ground wire and supply ground wire using a wire nut or by fastening to the ground screw on the crossbar.

## Hardware Used

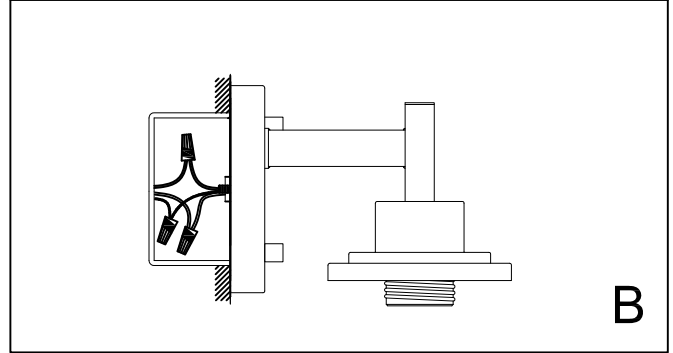
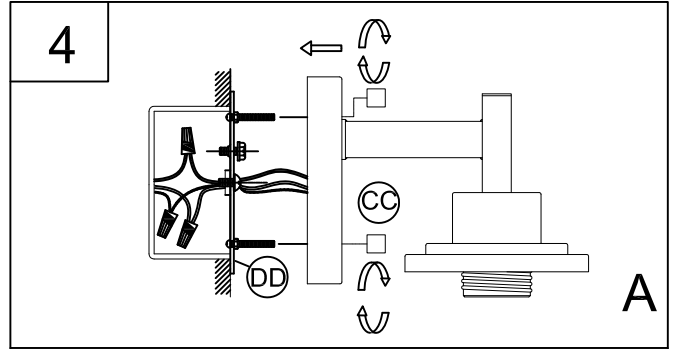
(BB) Wire nut X3



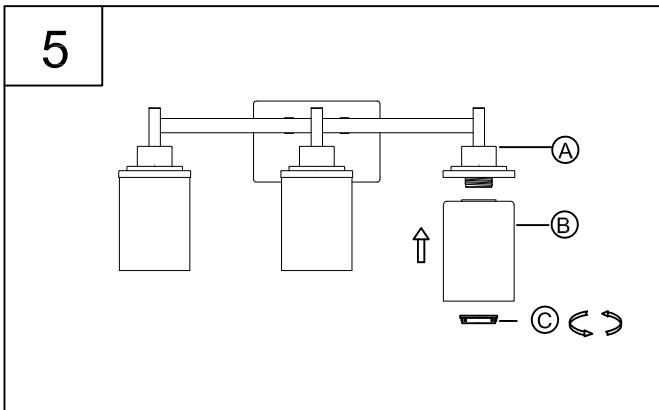
4. Attach fixture (A) to studs (AA) using round nuts. Secure tightly.

## Hardware Used

(CC) Round nut X2



5. The socket rings are shipped pre-assembled. Unscrew these rings (C) from the sockets, install the glass shade (B) and reinstall the socket ring to secure the glass. Do not overtighten.



6. Screw light bulbs (not included) into fixture sockets.

