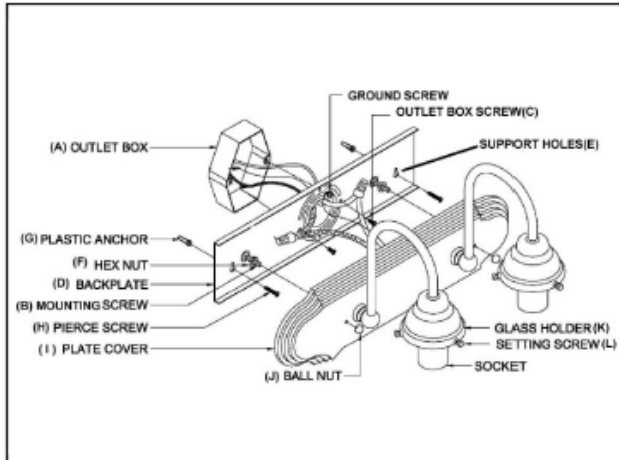


INSTALLATION AND SAFETY INSTRUCTION FOR WALL FIXTURE

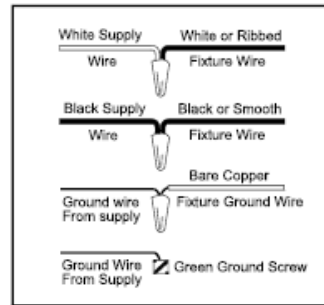
CAUTION! SHUT POWER OFF AT MAIN CIRCUIT BREAKER BEFORE INSTALLATION.

**MOUNTING THE FIXTURE(FIG.1)
JUST FOR REFERENCE**

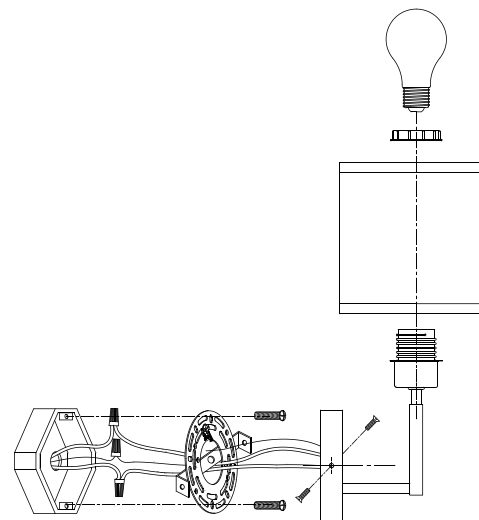


1. Turn electricity off at main circuit breaker. Remove the new fixture and mounting parts from the box and make sure that no parts are missing before installation.
2. Mounting Screws(B) should be threaded through the back of two mounting screw holes on the Backplate(D) then locked into place with Hex Nut(F). Fasten the Backplate(D) to the Outlet Box(A) with (Two) Outlet Box Screws(C).
3. Screws(Shown as C not furnished) with Ground Screw on Backplate(D) facing out. Mark Support Holes(E) on Backplate(D) onto the wall. Remove Backplate and install Plastic Anchor(G) at mark for Support Holes(E) (use Pierce Screw(H) to screw into wall for Plastic Anchor). Reattach Backplate(D) to Outlet Box(A) with Outlet Box Screws(C) and anchor Backplate(D) with Pierce Screws(H) through Support Holes(E) into Plastic Anchors(G).
Connect the wires as wiring instruction (See Wiring Diagram)
4. Secure the Plate Cover(I) to the Backplate(D). Mounting Screws(B) on Backplate(D) will go through the mounting screw holes on the Plate Cover(I), and then tighten the Ball Nuts(J) to secure the fixture to the Backplate.
5. Secure the Glass Shades by placing onto Glass Holder(K) and tightening down with Setting Screws(L) against glass shade.
6. Install the Bulbs (Caution: Please refer to the fixture's specifications. Do not exceed the maximum wattage for fixture.
Turn electricity back on at main circuit breaker.
7. Note: Some bath bars mount in one direction only please check back of Fixture for directional arrow, if none fixture can hang either way.

CONNECTING THE WIRE (See Wiring Diagram)



1. Connect your grounding wire (Green or Bare copper) from Fixture to grounding wire on outlet box or to the green ground screw on the crossbar.
2. Connect the House White Wire to the Fixture White Supply Wire; connect House Black (or Red) Wire to the Fixture Black Supply Wire.
3. Make sure no bare wires can be seen outside of the wire connector.
4. Tuck the wires into outlet box carefully.



urban
ambiance

SKU: ULB2145

