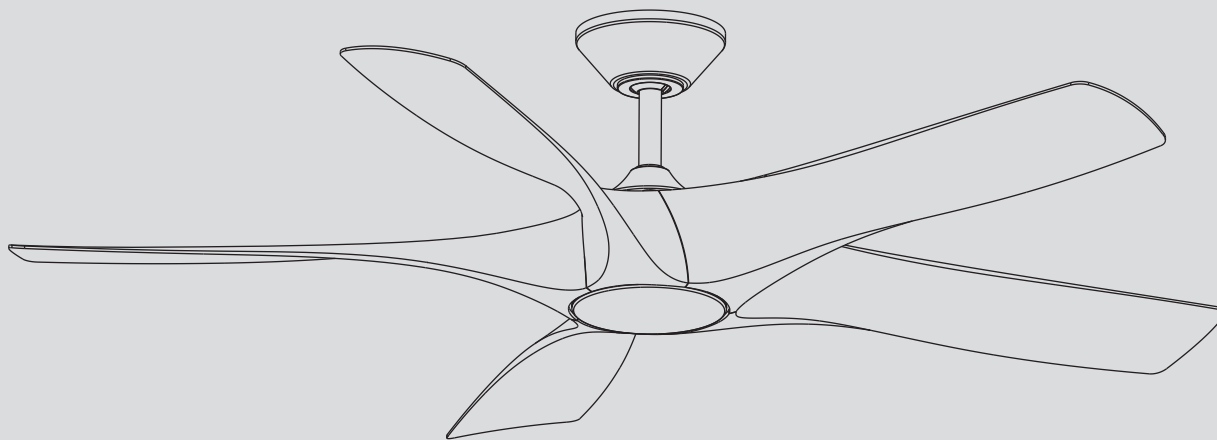


urban ambiance

Ceiling Fan Installation Manual



UHP9370, UHP9371, UHP9372

Limited Lifetime Warranty

Progress Lighting fan motors are warranted to the original purchaser to be free of electrical and/or mechanical defects for so long as the original purchaser owns the fan. Pull chain switches, reverse switches, capacitors and metal finishes are warranted to be free from defects in materials or workmanship for a period of 1 year from the date of purchase. Warping of wooden or plastic blades is not covered by this warranty nor is corrosion and/or deterioration of any finishes for fans installed within ten miles of any sea coast. Extended warranties for ENERGY STAR® qualified products may apply.

Progress Lighting ceiling fans with built-in LED light sources, when properly installed and under normal conditions of use, are warranted to be free from defects in material and workmanship which cause the light sources to fail to operate in accordance with the specifications for (i) five (5) years from the date of purchase on the LED Light modules and electrical components for fans used in single family residences, and (ii) three (3) years from the date of purchase on the LED Light modules and electrical components for fans used in multi-family or commercial applications. LED bulbs supplied by Progress Lighting carry no warranty other than manufacturer's warranty. Non-LED bulbs carry no warranty.

With proof of purchase, the original purchaser may return the defective fan to the place of purchase during the first 30 days for replacement. After 30 days, the original purchaser MUST contact Progress Lighting at (864) 678-1000 for repair or replacement which shall be determined in Progress Lighting's sole discretion and shall be purchaser's sole and exclusive remedy.

Labor and Shipping Excluded. This warranty does not cover any costs or fees associated with the labor (including, but not limited to, electrician's fees) required to install, remove, or replace a fan or any fan parts.

This warranty shall not apply to any loss or damage resulting from (i) normal wear and tear or alteration, misuse, abuse or neglect, or (ii) improper installation, operation, repair or maintenance by original purchaser or a third party, including without limitation improper voltage supply or power surge, use of improper parts or accessories, unauthorized repair (made or attempted) or failure to provide maintenance to the fan.

THE FOREGOING WARRANTIES STATE PROGRESS LIGHTING'S ENTIRE WARRANTY OBLIGATION AND ORIGINAL PURCHASER'S SOLE AND EXCLUSIVE REMEDY RELATED TO SUCH PRODUCTS. PROGRESS LIGHTING IS NOT RESPONSIBLE FOR DAMAGES (INCLUDING INDIRECT, SPECIAL, INCIDENTAL OR CONSEQUENTIAL), DUE TO PRODUCT FAILURE, WHETHER ARISING OUT OF BREACH OF WARRANTY, BREACH OF CONTRACT, OR OTHERWISE. THIS WARRANTY IS GIVEN IN LIEU OF ALL OTHER WARRANTIES, WHETHER EXPRESSED OR IMPLIED, INCLUDING THOSE OF MERCHANTABILITY, FITNESS FOR A PARTICULAR PURPOSE OR NONINFRINGEMENT.

Some states do not allow limitations on how long an implied warranty lasts or the exclusion or limitations of incidental or consequential damages, so the above limitations and exclusions may not apply to you. This warranty gives you specific rights and you may have other rights which vary from state to state.

Date Purchased _____

Store Purchased _____

Model No. _____

Serial No. _____

Vendor No. _____

UPC _____

1. To reduce the risk of electric shock, insure electricity has been turned off at the circuit breaker or fuse box before beginning.
2. All wiring must be in accordance with the National Electrical Code and local electrical codes. Electrical installation should be performed by a qualified licensed electrician.
3. **WARNING:** To reduce the risk of electrical shock and fire, do not use this fan with any solid-state fan speed control device.
4. **WARNING:** To reduce the risk of fire, electric shock, or personal injury, mount to outlet box marked "Acceptable for Fan Support of 15.9 kg (35 lbs.) Or Less" and use mounting screws provided with the outlet box. Most outlet boxes commonly used for the support of light fixtures are not acceptable for fan support and may need to be replaced. Due to the complexity of the installation of this fan, a qualified licensed electrician is strongly recommended.
5. The outlet box and support structure must be securely mounted and capable of reliably supporting a minimum of 35 lbs (15.9 kg) or less. Use only CUL-listed outlet boxes marked **FOR FAN SUPPORT**.
6. The fan must be mounted with a minimum of 7 ft (2.1m) clearance from the trailing edge of the blades to the floor.
7. Avoid placing objects in the path of the blades.
8. To avoid personal injury or damage to the fan and other items, be cautious when working around or cleaning the fan.
9. Do not use water or detergents when cleaning the fan or fan blades. A dry dust cloth or lightly dampened cloth will be suitable for most cleaning.
10. After making electrical connections, spliced conductors should be turned upward and pushed carefully up into the outlet box. The wires should be spread apart with the grounded conductor and the equipment-grounding conductor on one side of the outlet box.
11. Electrical diagrams are for reference only. Light kits that are not packed with the fan must be UL Listed and marked suitable for use with the model fan you are installing. Switches must be UL General Use Switches. Refer to the Instructions packaged with the light kits

WARNING

TO REDUCE THE RISK OF FIRE, ELECTRIC SHOCK OR PERSONAL INJURY, MOUNT FAN TO OUTLET BOX MARKED ACCEPTABLE FOR FAN SUPPORT.

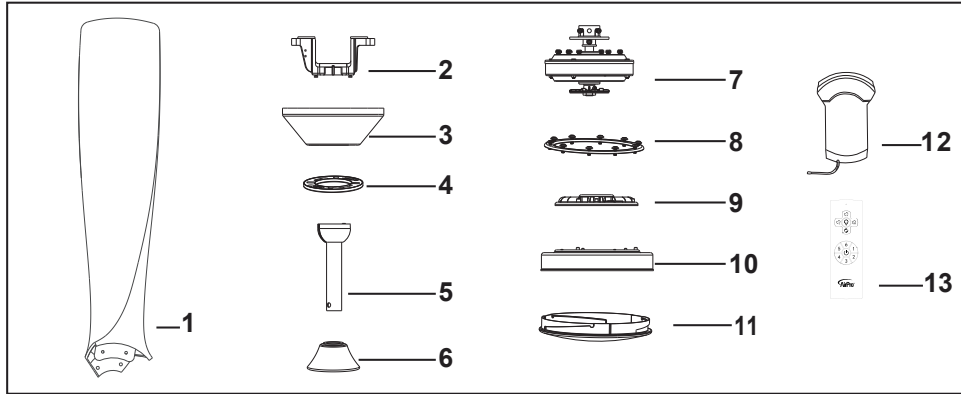
WARNING

TO REDUCE THE RISK OF PERSONAL INJURY, DO NOT BEND THE BLADE ARMS (ALSO REFERRED TO AS BRACKETS) DURING ASSEMBLY OR AFTER INSTALLATION. DO NOT INSERT OBJECTS IN THE PATH OF THE BLADES.

NOTE

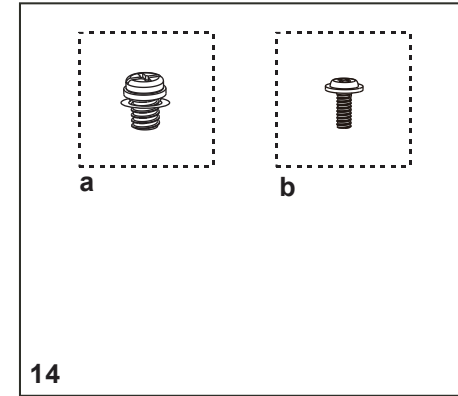
READ AND SAVE ALL INSTRUCTIONS!

1. Safety Rules



Unpack your fan and check the contents. You should have the following items:

- | | |
|--------------------------|-------------------------------|
| 1. Fan blades (5) | 8. Flywheel |
| 2. Mounting bracket | 9. Mounting plate |
| 3. Canopy | 10. LED light kit |
| 4. Canopy cover | 11. Diffuser |
| 5. Ball/downrod assembly | 12. Receiver with 9 wire nuts |
| 6. Collar cover | 13. Transmitter assembly |
| 7. Fan motor assembly | |



14

14. Loose parts bag containing:

- a. Blade attachment hardware**
1/4" x 12mm screw (1)
- b. Flywheel attachment hardware**
3/16" x 9 screw (1)

Unpacking Your Fan 2.

Tools Required

Phillips screw driver, straight slot screw driver, adjustable wrench, step ladder, and wire cutters.

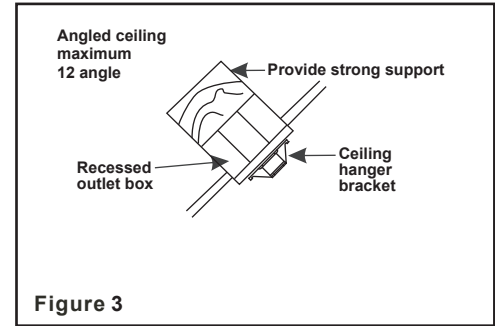
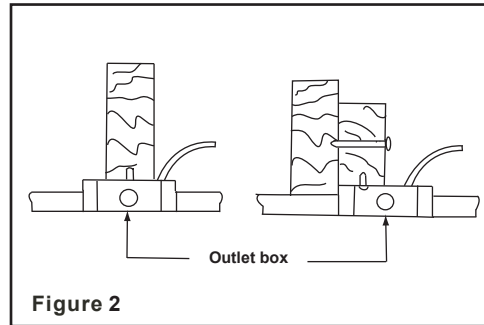
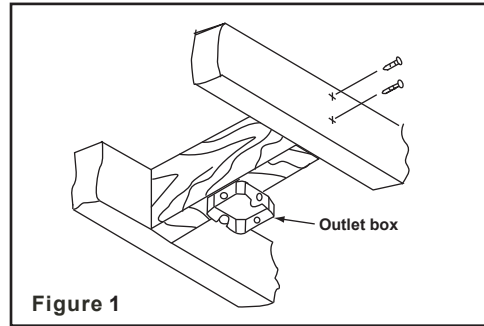
Mounting Options

If there isn't an existing cUL listed mounting box, then read the following instructions. Disconnect the power by removing fuses or turning off circuit breakers.

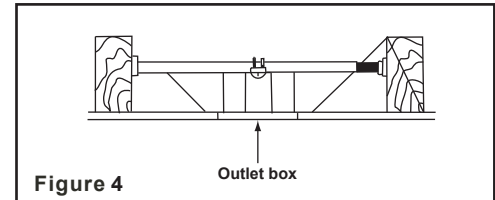
Secure the outlet box directly to the building structure. Use appropriate fasteners and building materials. The outlet box and its support must be able to fully support the moving weight of the fan (at least 35 lbs). Do not use plastic outlet boxes.

WARNING

TO REDUCE THE RISK OF FIRE, ELECTRIC SHOCK, OR OTHER PERSONAL INJURY, MOUNT FAN ONLY TO AN OUTLET BOX MARKED ACCEPTABLE FOR FAN SUPPORT AND USE THE MOUNTING SCREWS PROVIDED WITH THE OUTLET BOX. OUTLET BOXES COMMONLY USED FOR THE SUPPORT OF LIGHTING FIXTURES MAY NOT BE ACCEPTABLE FOR FAN SUPPORT AND MAY NEED TO BE REPLACED. CONSULT A QUALIFIED ELECTRICIAN IF IN DOUBT.



Note: You may need a longer downrod to maintain proper blade clearance when installing on a steep, sloped ceiling.



To hang your fan where there is an existing fixture but no ceiling joist, you may need an installation hanger bar as shown in Figure 4 (available at your Progress Lighting Retailer).

3. Installing Your Fan

Hanging the Fan

REMEMBER to turn off the power. Follow the steps below to hang your fan properly:

Step 1. Pass the 120-volt supply wires through the center hole in the ceiling hanger bracket as shown in Fig. 5.

Step 2. Secure the mounting bracket to the ceiling outlet box with the screws and washers provided with your outlet box.

Step 3. Remove the hanger pin, lock pin from the ball/downrod assembly, and loosen two set screws from the top of the motor assembly. (Fig. 6)

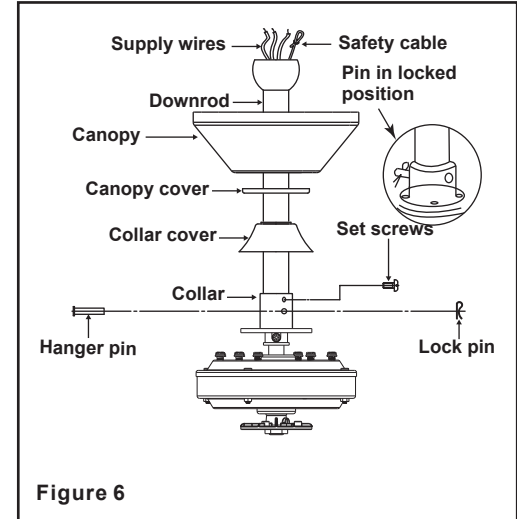
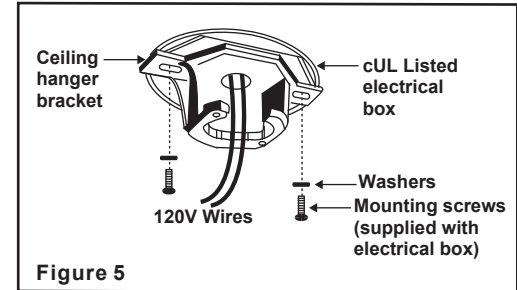
Step 4. Route wires exiting from the top of the fan motor through the collar cover, canopy cover, canopy and then through the ball / downrod. (Fig. 6)

Step 5. Align the holes at the bottom of the downrod with the holes in the collar on top of the motor housing (Fig. 6). Carefully insert the hanger pin through the holes in the collar and downrod. Be careful not to jam the pin against the wiring inside the downrod. Insert the locking pin through the hole near the end of the hanger pin until it snaps into its locked position, as noted in the circle inset of Fig. 6.

WARNING
FAILURE TO PROPERLY INSTALL
LOCKING PIN AS NOTED IN STEP 5
COULD RESULT IN FAN LOOSENING AND
POSSIBLY FALLING.

Step 6. Tighten two set screws on the motor collar into the downrod firmly. (Fig. 6)

Step 7. Place the downrod ball into the mounting bracket socket.



Make the Electric Connections

WARNING: To avoid possible electrical shock, be sure electricity is turned off at the main fuse box before wiring.

Step 1. (Fig. 7) Insert the receiver into the mounting bracket with the flat side of the receiver facing the ceiling.

Step 2. (Fig. 8) Motor to Receiver Electrical Connections: Connect the Red wire from the fan to Red wire from the receiver. Connect the Yellow wire from the fan to the Yellow wire from the receiver. Connect the Gray wire from the fan to the Gray wire from the receiver. Connect the Blue wire from the fan to the Blue wire marked "For Light" from the receiver. Connect the White wire from the fan to the White wire marked "For Light" from the receiver. Secure wire connections with the plastic wire nuts provided.

Step 3. (Fig. 8) Receiver to House Supply Wires Electrical Connections: Connect the black (hot) wire from the ceiling to the black wire marked "AC in L" from the receiver. Connect the white (neutral) wire from the ceiling to the white wire marked "AC in N" from the Receiver. Secure the wire connections with the plastic wire nuts provided.

Step 4. (Fig. 8) If your outlet box has a ground wire (green or bare copper) connect it to the receiver main ground wire, connect the receiver other ground wires and hanging ball ground wire together. Otherwise connect the mounting bracket ground wire to the receiver main ground wire, connect the receiver other ground wires and hanging ball ground wire together. Secure the wire connection with a plastic nut provided. After connecting the wires spread them apart so that the green and white wires are on one side of the outlet box and black wires is on the other side. Carefully tuck the wire connections up into the outlet box.

NOTE: Fan must be installed at a maximum distance of 20 feet or less from the transmitting unit for proper signal transmission between the transmitting unit and the fan's receiving unit.

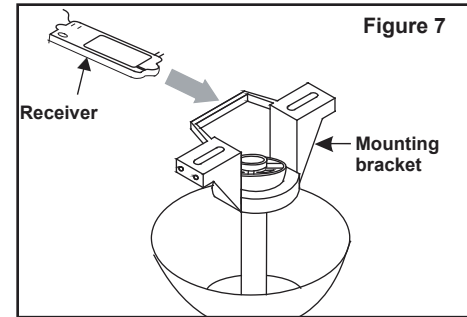


Figure 7

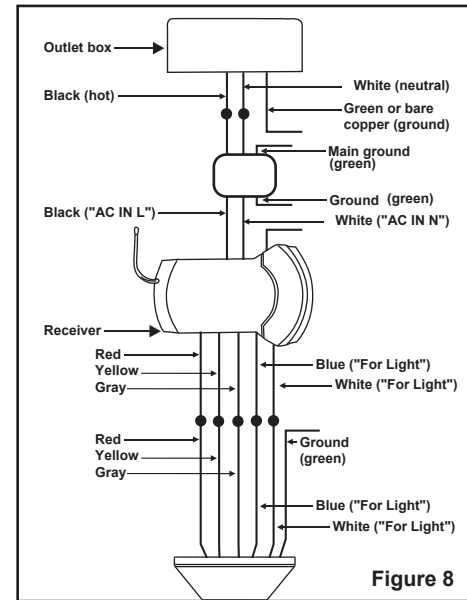
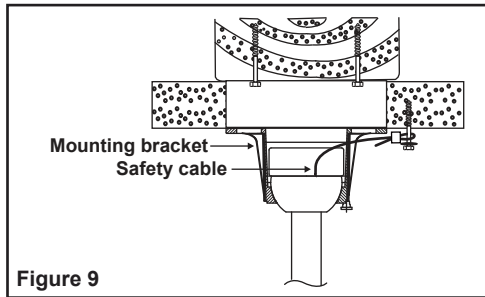


Figure 8

INSTALLATION OF SAFETY SUPPORT

Secure safety cable to the building structure with a wood screw. (wood screw not supplied) (Fig. 9)

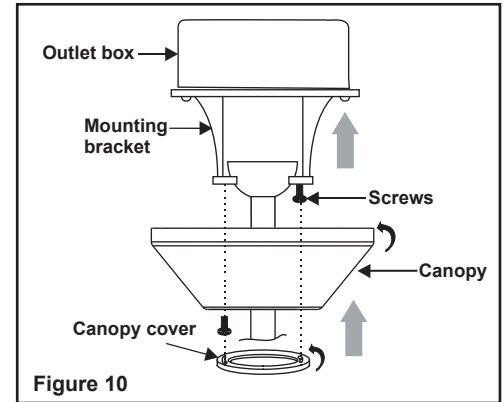


Finishing the Installation

Step 1. Tuck connections neatly into ceiling outlet box.

Step 2. Slide the canopy up to mounting bracket and place the key hole on the canopy over the screw on the mounting bracket, turn canopy until it locks in place at the narrow section of the key holes. (Fig. 10)

Step 3. Align the circular hole on canopy with the remaining hole on the mounting bracket, secure by tightening the two set screws. Note: Adjust the canopy screws as necessary until the canopy and canopy cover are snug.



WARNING

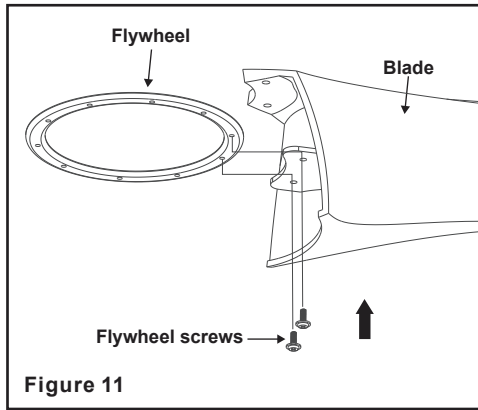
Make sure the notch on the mounting bracket properly sits in the groove in the hanger ball before attaching the canopy to the bracket by turning the housing until it drops into place.

Attaching the Fan Blades

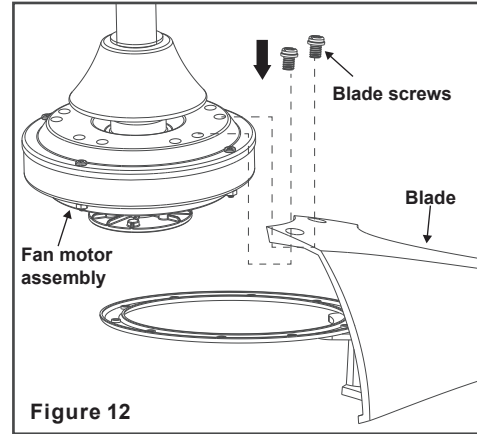
Step 1. Remove the ten blade screws from the fan motor assembly.

Step 2. Remove the ten flywheel screws from the flywheel.

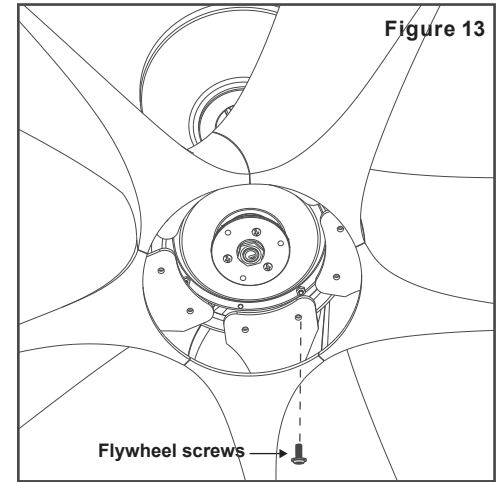
Step 3. Attach the flywheel to one of the five blades using two flywheel screws. (Fig. 11)



Step 4. Attach the blade with the flywheel to the fan motor assembly using two blade screws. Attach the other blades to the fan motor assembly. (Fig. 12)



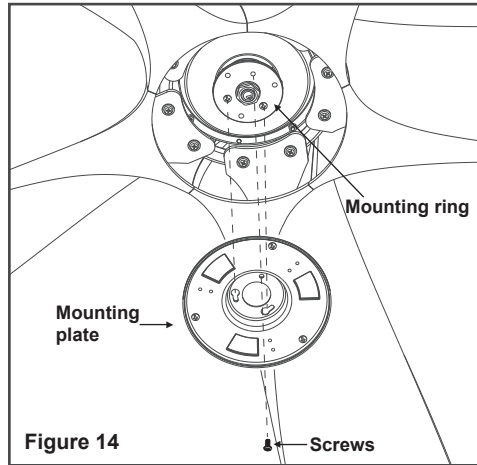
Step 5. Reinstall the eight remaining flywheel screws to the flywheel. (Fig. 13)



Installing the Mounting Plate

Step 1. Remove 1 of the 3 screws from the mounting ring and loosen the other 2 screws. (Do not remove)

Step 2. Place the key holes on the mounting plate over the 2 screws previously loosened from the mounting ring, turn mounting plate until it locks in place at the narrow section of the key holes. Secure by tightening the 2 screws previously loosened and the one previously removed. (Fig. 14)



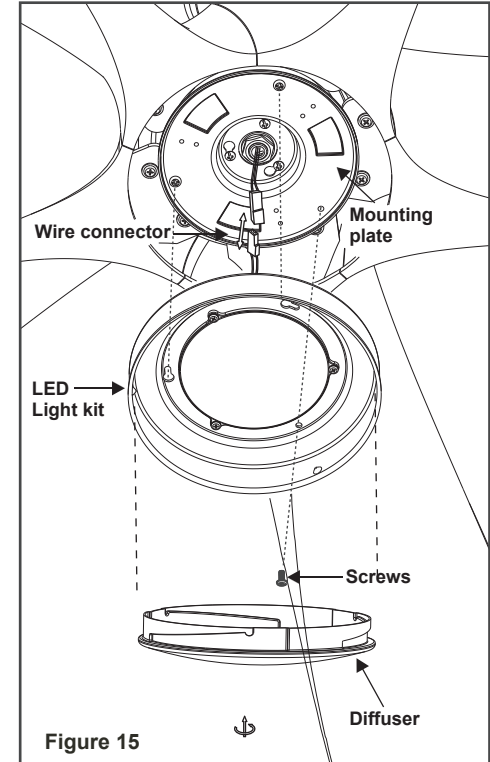
CAUTION: Before starting installation, disconnect the power by turning off the circuit breaker or removing the fuse at fuse box. Turning power off using the fan switch is not sufficient to prevent electric shock.

1. Remove 1 of 3 screws from the mounting plate and loosen the other 2 screws. (Do not remove)

2. While holding the LED light kit under the fan motor assembly, make the 2-pin wire connections:
- White to white
- Blue to blue

3. Place the key holes in the LED light kit over the two mounting screws previously loosened from the mounting plate. Turn the LED light kit until the LED light kit locks in place at the narrow section of the key holes. Secure by tightening the two screws previously loosened and the one previously removed. (Fig. 15)

4. Raise the diffuser up against the LED light kit and secure it to the fan by turning the diffuser clockwise until snug. DO NOT OVERTIGHTEN. (Fig. 15)




Installing the Light Kit 8.


INSTALLING THE BATTERY

Remove the back cover on the transmitter and install a 12V battery that is included with the remote control. (Fig. 16)

LEARNING PROCESS

NOTE: After the AC power is on, do not press any other button on the remote control before pressing the  button. Doing so will cause the procedure to fail.

Should you desire to use another remote control unit with your new fan, install one using the steps below:

Within 30 seconds of turning the fan's AC power ON, press and hold the  button for 5 seconds to enter the learning function. Once the receiver has detected the set frequency, the down light of your fan, if applicable, will blink twice. There is no indication if your fan is not equipped with a light.

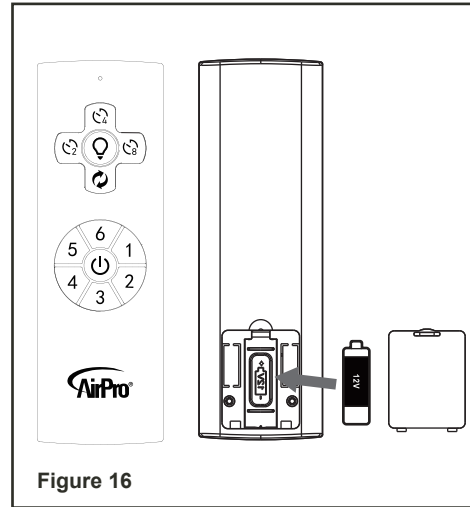


Figure 16

INSTALLING THE TRANSMITTER HOLDER

Attach the remote control holder with the two remote control holder mounting screws.(Fig.17)

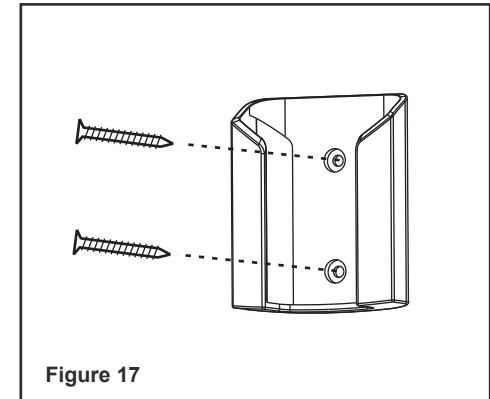


Figure 17

9. Operating Your Transmitter

Restore power to ceiling fan and test for proper operation.

A. 1,2,3,4,5,6 buttons:

These six buttons are used to set the fan speed as follows:


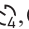

1 = low speed 2 = medium low speed
3 = medium speed 4 = medium high speed
5 = high speed 6 = Extra high speed



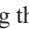
B.  button:

This button turns the fan off.

C.  button:

This button controls the light. Press and release the button to turn the light ON or OFF. Press and hold the button to set the desired brightness. The light key has an auto-resume, it will stay at the same brightness as the last time it was turned off.

D. , ,  button:

Pressing the ( /  / ) button will automatically turn fan off after 2, 4 or 8 hours.

E.  button:

Fan reverse button

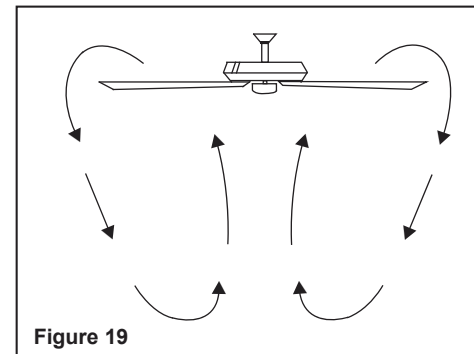
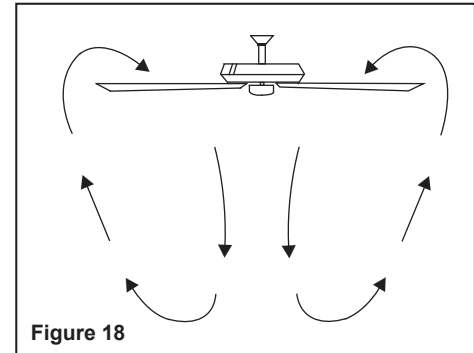
(Must be Pushed when the fan is in operation)

Speed settings for warm or cool weather depend on factors such as the room size. Ceiling height, number of fans and so on.

NOTE: To operate the reverse function on this fan, press the reverse button while the fan is running.

Warm weather - (Forward) A downward airflow creates a cooling effect as shown in Fig. 18. This allows you to set your air conditioner on a warmer setting without affecting your comfort.

Cool weather - (Reverse) An upward airflow moves warm air off the ceiling area as shown in Fig. 19. This allows you to set your heating unit on a cooler setting without affecting your comfort.



Follow these instructions to control your WIFI-enabled fan with a smart device (phone, tablet):

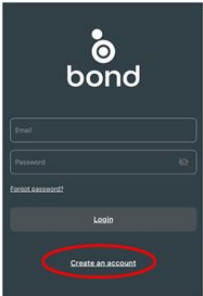
1. Install the BOND HOME app

1.1 To enjoy all the potential of your new device, you will need to download the BOND HOME app (available on the Google Play Store and Apple App Store)

1.2 You can also download the app using this link: <http://bondhome.io/app>

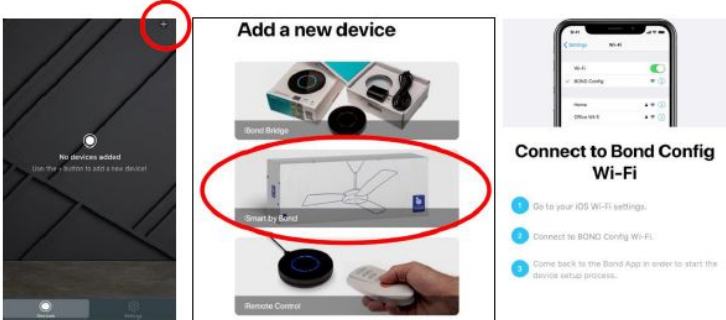
1.3 After you download the app, create an account.

NOTE: Keep your account credential information. You will use this information when you connect with your smart speaker.



2. Pair the Device to the WIFI

- 2.1 After you log into the main page, select the "+" symbol (IOS: top right corner of the screen) (Android: bottom center of screen).
- 2.2 Next you will see the "Add a new device" screen. Choose the Smart by Bond option in the middle of the screen. Then follow "Connect to Bond Config Wi-Fi" steps to continue pairing.
- 2.3 After the pairing process with Wi-Fi receiver, then you can control the fan speed, light, functions on the app.



3. Re-pairing the device (New router or moving the ceiling fan control)

- 3.1 Within 60 seconds of turning the power on, press and hold the Fan Off (Stop) button for at least 5 seconds. The light will flicker to confirm.
- 3.2 Follow steps 2.1 to 2.3 to re-pair the device

For the latest instructions and installation video visit www.progresslighting.com/smartfan

For more setup support, access the Help Center in the BondHome App Settings section

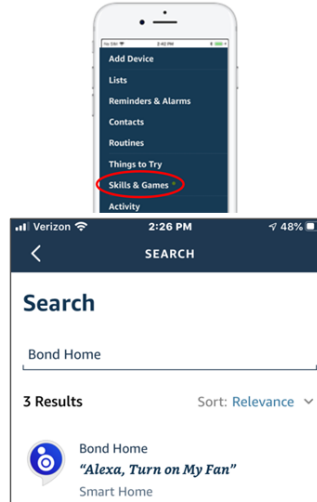
11. WIFI Control Setup - Smart Device Control

Follow these instructions to add voice control to your fan with a smart speaker (Amazon Alexa, Google Home):

Setting up and Using Amazon Alexa



1. Open the Bond Home App
2. Go to the Amazon Alexa app. Click on the dropdown menu from the top left corner of the screen and choose "Skills & Games".
3. Select the magnifying glass on the top of the screen. Type BOND HOME into the search bar and click the search button. Next click on the Bond Home skill and choose to add the skill.
4. You should be prompted to enter your BOND username and password.
5. You should see a "Discover Devices" pop up. Select the "Discover Devices" option. You should then see your device listed in the "All Devices" section. If your devices are not found select the "+" followed by "Add Device", "Other" and "Discover Devices".



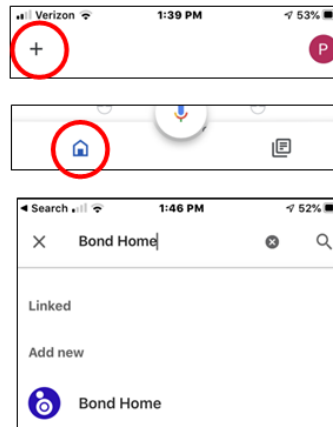
Fan Voice Command Examples:
"Alexa, turn on MY FAN to low"
"Ok Google, turn MY FAN to speed 3"
"Alexa, turn on MY FAN breeze"

Fan Light Voice Command Examples:
"Ok Google, turn on MY FAN LIGHT"
"Alexa, turn MY FAN LIGHT to 80%"
"Ok Google, turn off MY FAN LIGHT"

Setting up and Using Google Home



1. In the Google Home app, click on the Home icon from the bottom left corner of the screen and select the "+" symbol in the top left corner of the screen.
2. Select "Set up Device". Then select "Works with Google".
3. Select Bond Home from the list of devices. DO NOT select Bond Smart Home as it will not work with the product.
4. You should be prompted to enter your BOND username and password to authenticate. Once the pairing is complete, your device should appear.



For the latest instructions and installation video visit www.progresslighting.com/smartfan

For more setup support, access the Help Center in the BondHome App Settings section

12. WIFI Control Setup - Smart Speaker Voice Control

Here are some suggestions to help you maintain your fan

1. Because of the fan's natural movement, some connections may become loose. **Check the support connections, brackets, and blade attachments twice a year.** Make sure they are secure. **(It is not necessary to remove fan from ceiling.)**

2. Clean your fan periodically to help maintain its new appearance over the years. Use only a soft brush or lint-free cloth to avoid scratching the finish. The plating is sealed with a lacquer to minimize discoloration or tarnishing. Do not use water when cleaning. This could damage the motor, or the wood, or possibly cause an electrical shock.

3. Cover small scratches with a light application of shoe polish.

4. **There is no need to oil your fan.** The motor has permanently lubricated bearings.

IMPORTANT
MAKE SURE THE POWER IS OFF AT THE
ELECTRICAL PANEL BOX BEFORE YOU
ATTEMPT ANY REPAIRS. REFER TO THE
SECTION "MAKING ELECTRICAL
CONNECTIONS"

13. Care of Your Fan

Problem

Solution

Fan will not start.

1. Check circuit fuses or breakers.
2. Check line wire connections to the fan and switch wire connections in the switch housing.
CAUTION: Make sure main power is off.

Fan sounds noisy.

1. Make sure all motor housing screws are snug.
2. Make sure the screws that attach the fan blade bracket to the motor hub is tight.
3. Make sure wire nut connections are not rubbing against each other or the interior wall of the switch housing.
CAUTION: Make sure main power is off.
4. Allow a 24-hour "breaking-in" period. Most noise associated with a new fan disappear during this time.
5. If using an optional light kit, make sure the screws securing the lampshade are tight.
6. Make sure the upper canopy is a short distance from the ceiling. It should not touch the ceiling.

Remote control
malfunction

1. Do not connect the fan with wall mounted variable speed control (s).
2. Re-do learning process.

Troubleshooting 14.

Fan Size	Speed	Volts	Amps	Watts	RPM	CFM	N.W.	G.W.	C.F.
60"	Low	120	0.09	3.62	61	3103.61	20.24 lbs	25.74 lbs	4.00'
	High	120	0.52	34.26	167	6810.71			

These are approximate measures. They do not include Amps and Wattage used by the light kit.

This device complies with part 15 of the FCC Rules. Operation is subject to the following two conditions: (1) This device may not cause harmful interference, and (2) this device must accept any interference received, including interference that may cause undesired operation.

Warning: Changes or modifications to this unit not expressly approved by the party responsible for compliance could void the user's authority to operate the equipment.

NOTE: This equipment has been tested and found to comply with the limits for a Class B digital device, pursuant to Part 15 of the FCC Rules. These limits are designed to provide reasonable protection against harmful interference in a residential installation. This equipment generates, uses and can radiate radio frequency energy and, if not installed and used in accordance with the instructions, may cause harmful interference to radio communications.

However, there is no guarantee that interference will not occur in a particular installation. If this equipment does cause harmful interference to radio or television reception, which can be determined by turning the equipment off and on, the user is encouraged to try to correct the interference by one or more of the following measures:

- Reorient or relocate the receiving antenna.
- Increase the separation between the equipment and receiver.
- Connect the equipment into an outlet on a circuit different from that to which the receiver is connected.
- Consult the dealer or an experienced radio/TV technician for help.

15. Specifications

Questions?

Call our Customer Care Team at 1-855-303-4229