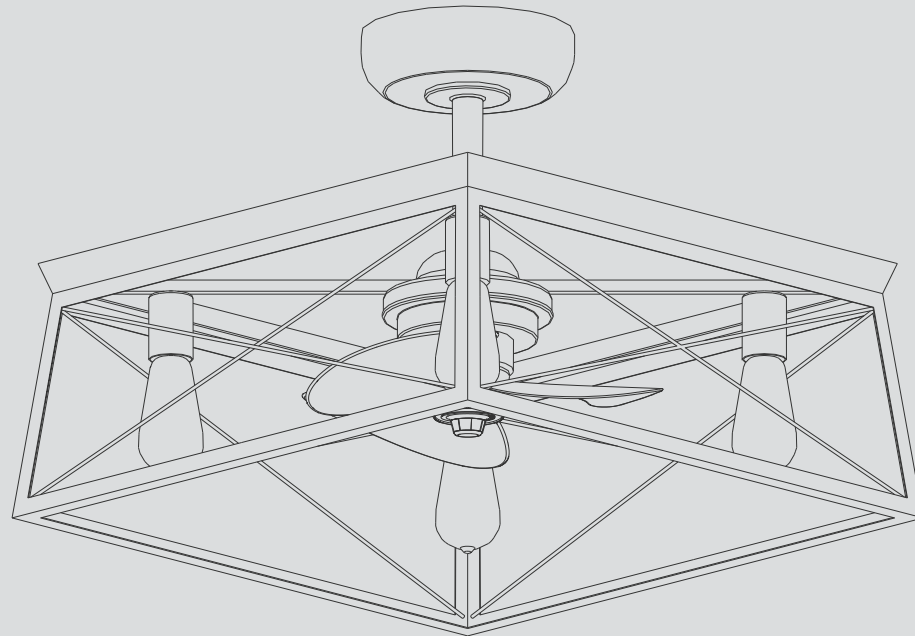


# urban ambiance

## BERKELEY Ceiling Fan Installation Manual



UHP9240, UHP9241, UHP9242, UHP9243

# Limited Lifetime Warranty

Progress Lighting fan motors are warranted to the original purchaser to be free of electrical and/or mechanical defects for so long as the original purchaser owns the fan. Pull chain switches, reverse switches, capacitors and metal finishes are warranted to be free from defects in materials or workmanship for a period of 1 year from the date of purchase. Warping of wooden or plastic blades is not covered by this warranty nor is corrosion and/or deterioration of any finishes for fans installed within ten miles of any sea coast. Extended warranties for ENERGY STAR® qualified products may apply.

Progress Lighting ceiling fans with built-in LED light sources, when properly installed and under normal conditions of use, are warranted to be free from defects in material and workmanship which cause the light sources to fail to operate in accordance with the specifications for (i) five (5) years from the date of purchase on the LED Light modules and electrical components for fans used in single family residences, and (ii) three (3) years from the date of purchase on the LED Light modules and electrical components for fans used in multi-family or commercial applications. LED bulbs supplied by Progress Lighting carry no warranty other than manufacturer's warranty. Non-LED bulbs carry no warranty.

With proof of purchase, the original purchaser may return the defective fan to the place of purchase during the first 30 days for replacement. After 30 days, the original purchaser MUST contact Progress Lighting at (864) 678-1000 for repair or replacement which shall be determined in Progress Lighting's sole discretion and shall be purchaser's sole and exclusive remedy.

Labor and Shipping Excluded. This warranty does not cover any costs or fees associated with the labor (including, but not limited to, electrician's fees) required to install, remove, or replace a fan or any fan parts.

This warranty shall not apply to any loss or damage resulting from (i) normal wear and tear or alteration, misuse, abuse or neglect, or (ii) improper installation, operation, repair or maintenance by original purchaser or a third party, including without limitation improper voltage supply or power surge, use of improper parts or accessories, unauthorized repair (made or attempted) or failure to provide maintenance to the fan.

THE FOREGOING WARRANTIES STATE PROGRESS LIGHTING'S ENTIRE WARRANTY OBLIGATION AND ORIGINAL PURCHASER'S SOLE AND EXCLUSIVE REMEDY RELATED TO SUCH PRODUCTS. PROGRESS LIGHTING IS NOT RESPONSIBLE FOR DAMAGES (INCLUDING INDIRECT, SPECIAL, INCIDENTAL OR CONSEQUENTIAL), DUE TO PRODUCT FAILURE, WHETHER ARISING OUT OF BREACH OF WARRANTY, BREACH OF CONTRACT, OR OTHERWISE. THIS WARRANTY IS GIVEN IN LIEU OF ALL OTHER WARRANTIES, WHETHER EXPRESSED OR IMPLIED, INCLUDING THOSE OF MERCHANTABILITY, FITNESS FOR A PARTICULAR PURPOSE OR NONINFRINGEMENT.

Some states do not allow limitations on how long an implied warranty lasts or the exclusion or limitations of incidental or consequential damages, so the above limitations and exclusions may not apply to you. This warranty gives you specific rights and you may have other rights which vary from state to state.

Date Purchased \_\_\_\_\_

Store Purchased \_\_\_\_\_

Model No. \_\_\_\_\_

Serial No. \_\_\_\_\_

Vendor No. \_\_\_\_\_

UPC  \_\_\_\_\_

Safety Rules.....	1.
Unpacking Your Fan .....	2.
Installing Your Fan .....	3.
Operating Your Transmitter .....	7.
Care of Your Fan .....	9.
Troubleshooting .....	10.
Specifications .....	11.

# Table of Contents

1. To reduce the risk of electric shock, insure electricity has been turned off at the circuit breaker or fuse box before beginning.
2. All wiring must be in accordance with the National Electrical Code and local electrical codes. Electrical installation should be performed by a qualified licensed electrician.
3. **WARNING:** To reduce the risk of electrical shock and fire, do not use this fan with any solid-state fan speed control device.
4. **WARNING:** To reduce the risk of fire, electric shock, or personal injury, mount to outlet box marked "Acceptable for Fan Support of 15.9 kg (35 lbs.) Or Less" and use mounting screws provided with the outlet box. Most outlet boxes commonly used for the support of light fixtures are not acceptable for fan support and may need to be replaced. Due to the complexity of the installation of this fan, a qualified licensed electrician is strongly recommended.
8. To avoid personal injury or damage to the fan and other items, be cautious when working around or cleaning the fan.
9. Do not use water or detergents when cleaning the fan or fan blades. A dry dust cloth or lightly dampened cloth will be suitable for most cleaning.
10. After making electrical connections, spliced conductors should be turned upward and pushed carefully up into the outlet box. The wires should be spread apart with the grounded conductor and the equipment-grounding conductor on one side of the outlet box.
11. Electrical diagrams are for reference only. Light kits that are not packed with the fan must be UL Listed and marked suitable for use with the model fan you are installing. Switches must be UL General Use Switches. Refer to the Instructions packaged with the light kits

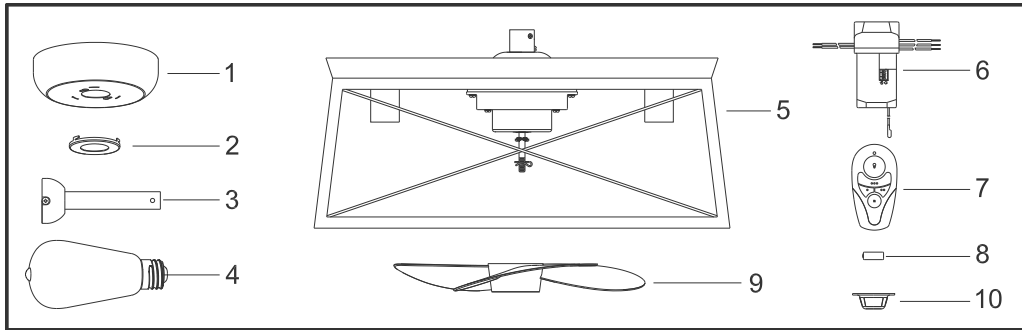
**WARNING**  
TO REDUCE THE RISK OF FIRE, ELECTRIC SHOCK OR PERSONAL INJURY, MOUNT FAN TO OUTLET BOX MARKED ACCEPTABLE FOR FAN SUPPORT.

5. The outlet box and support structure must be securely mounted and capable of reliably supporting a minimum of 35 lbs (15.9 kg) or less. Use only UL-listed outlet boxes marked FOR FAN SUPPORT.
6. The fan must be mounted with a minimum of 10 ft (3.05m) clearance from the bottom of the fan guard to the floor.
7. Avoid placing objects in the path of the blades.

**WARNING**  
TO REDUCE THE RISK OF PERSONAL INJURY, DO NOT BEND THE BLADE ARMS (ALSO REFERRED TO AS BRACKETS) DURING ASSEMBLY OR AFTER INSTALLATION. DO NOT INSERT OBJECTS IN THE PATH OF THE BLADES.

**NOTE**  
READ AND SAVE ALL INSTRUCTIONS!

# 1. Safety Rules



Unpack your fan and check the contents. You should have the following items:

- |                          |                               |
|--------------------------|-------------------------------|
| 1. Canopy assembly       | 7. Remote Control Transmitter |
| 2. Cover                 | 8. 12V battery                |
| 3. Ball/downrod assembly | 9. Fan blade                  |
| 4. LED bulbs (4)         | 10. Finial                    |
| 5. Fixture assembly      |                               |
| 6. Receiver              |                               |

11. Loose parts bag containing:

- a. Mounting hardware Wire nuts (6)

## Unpacking Your Fan 2.

## Tools Required

Phillips screw driver, straight slot screw driver, adjustable wrench, step ladder, and wire cutters.

## Mounting Options

If there isn't an existing cUL listed mounting box, then read the following instructions. Disconnect the power by removing fuses or turning off circuit breakers.

Secure the outlet box directly to the building structure. Use appropriate fasteners and building materials. The outlet box and its support must be able to fully support the moving weight of the fan (at least 35 lbs). Do not use plastic outlet boxes.

### WARNING

TO REDUCE THE RISK OF FIRE, ELECTRIC SHOCK, OR OTHER PERSONAL INJURY, MOUNT FAN ONLY TO AN OUTLET BOX MARKED ACCEPTABLE FOR FAN SUPPORT AND USE THE MOUNTING SCREWS PROVIDED WITH THE OUTLET BOX. OUTLET BOXES COMMONLY USED FOR THE SUPPORT OF LIGHTING FIXTURES MAY NOT BE ACCEPTABLE FOR FAN SUPPORT AND MAY NEED TO BE REPLACED. CONSULT A QUALIFIED ELECTRICIAN IF IN DOUBT.

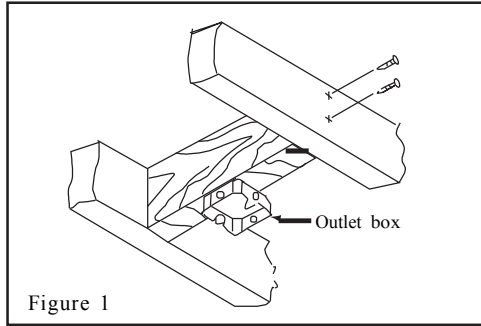


Figure 1

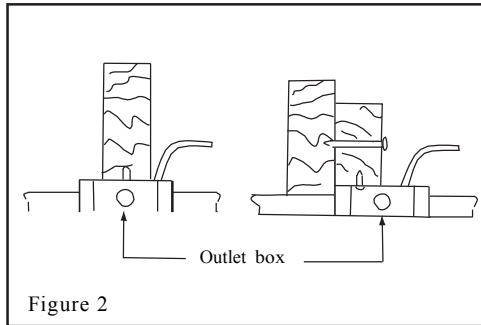


Figure 2

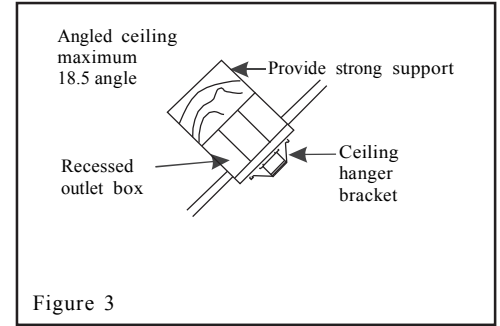


Figure 3

Note: You may need a longer downrod to maintain proper clearance when installing on a steep, sloped ceiling.

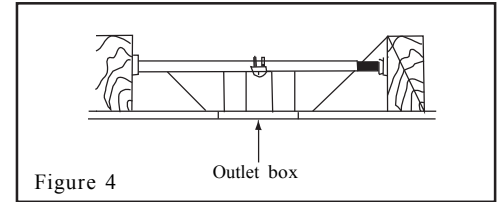


Figure 4

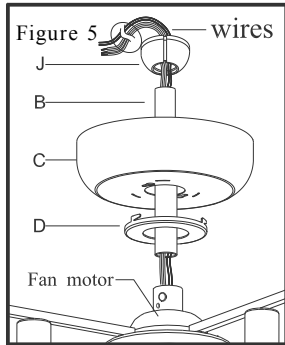
To hang your fan where there is an existing fixture but no ceiling joist, you may need an installation hanger bar as shown in Figure 4

# 3. Installing Your Fan

# Hanging the Fan

REMEMBER to turn off the power. Follow the steps below to hang your fan properly:

Step 1. Route the wires exiting the top of the fan motor through the cover (D) and then through the canopy (C), downrod (B) and hanger ball (J) assembly.(Fig.5)



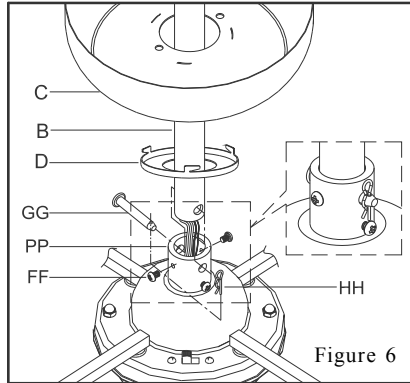
Step 2. Insert the downrod (B) through the metal cover (D) and canopy (C). (Fig 6)

Step 3. Insert the end of downrod (B) through the connector (PP),align the two holes in the downrod (B) and the connector (PP).(Fig.6)

Step 4. Insert a plug pin (GG) through the two holes in the downrod (B) and the connector (PP). (Fig.6)

Step 5. Insert the R-shaped pin (HH) through the hole near the end of the plug pin (GG) until it snaps into its locked position. (Fig.6)

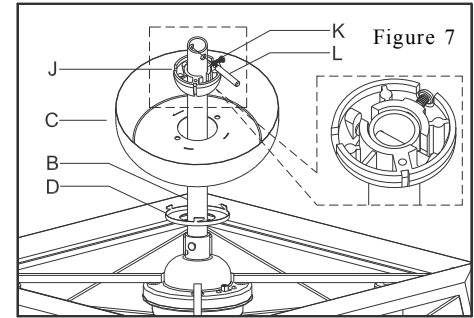
Step 6. Install the screw (FF) to the connector (PP), and make sure it's tight, Screws (FF) should be tight against the downrod (B). (Fig.6)



Step 7. Insert the hanger ball (J) onto the downrod (B), and then insert a plug pin (L) through the hole in the downrod (B). (Fig.7)

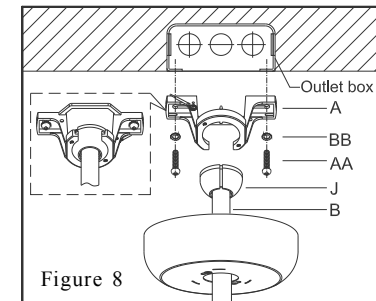
Step 8. Insert the plug pin to the slot cut off in the hanger ball (J) until it snaps into its locked position. (Fig.6)

Step 9. Use the Screw(K) to lock the hanger ball (J) to the downrod (B). (Fig.7)



Step 10. Install the Hanger bracket (A) on the outlet box by using the washer (BB) and screws(AA) provided with the Outlet box. (Fig.8)

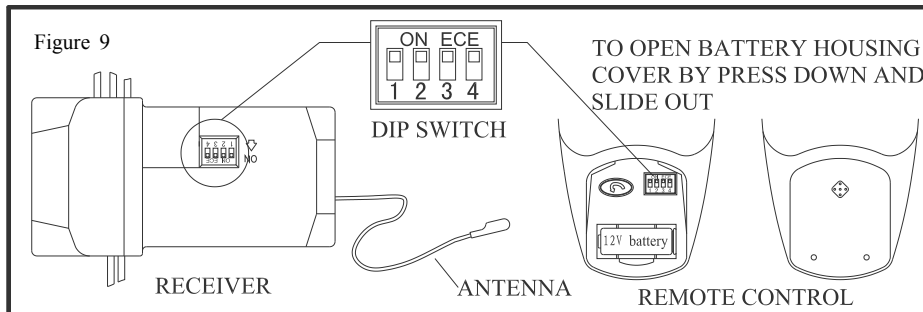
Step 11. Put the hanger ball (J) through the open side of the ceiling mounting bracket (A), and then insert the hanger ball(J) to the slot cut off in the ceiling mounting bracket(A). (Fig.8)



# Make the Electric Connections

**WARNING:** To avoid possible electrical shock, be sure electricity is turned off at the main fuse box before wiring.

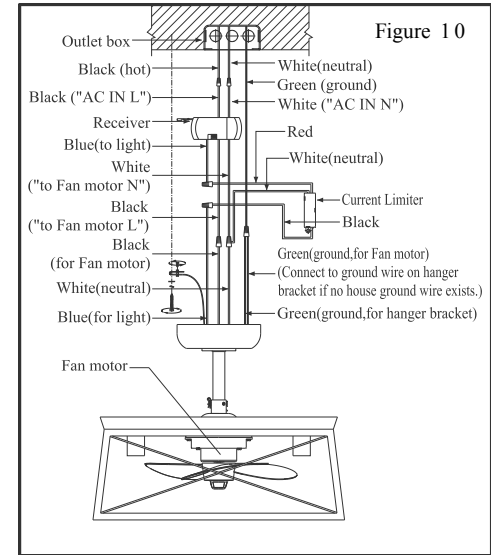
**CODE SWITCH:** Codes are set by pushing dip switches up or down. It is imperative that the code used for both transmitter and receiver is exactly the same, otherwise remote controller will not work. Please note the code switch will enable you to operate a second remote controller independently. For example, if you have two ceiling fans with 2 remote control units, set 2 different codes for each set of transmitter/receivers. This means you can operate each ceiling fan independently. Your remote control is ready for use after battery installation. (Fig.9)



**Step 1. Fan motor to Receiver Electrical and Current Limiter Connections:** Connect the Black wire from the fan to Black wire marked "TO MOTOR L". Connect the White wire from the fan to the White wire marked "TO MOTOR N" from the receiver and the White wire from the Current Limiter. Connect the blue (light) wire to the black wire from the Current Limiter. Connect the Red wire from the Current Limiter to the Blue wire from the Receiver. Secure wire connections with the plastic wire nuts provided. (Fig. 10)

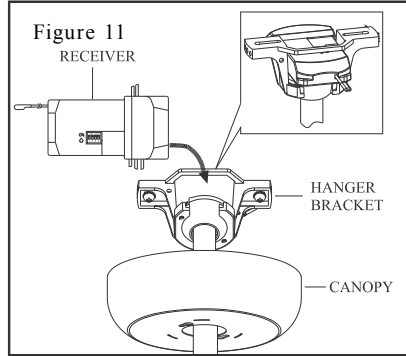
**Step 2. Receiver to House Supply Wires Electrical Connections:** Connect the black (hot) wire from the ceiling to the black wire marked "AC in L" from the receiver. Connect the white (neutral) wire from the ceiling to the white wire marked "AC in N" from the Receiver. Secure the wire connections with the plastic wire nuts provided. (Fig. 10)

**Step 3.** If your outlet box has a ground wire (green or bare copper) connect it to the fan ground wires; otherwise connect the hanging bracket ground wire to the mounting bracket. Secure the wire connection with plastic wire nuts provided. After connecting the wires spread them apart so that the green and white wires are on one side of the outlet box and black and blue wires are on the other side. Carefully tuck the wire connections up into the outlet box. (Fig. 10)

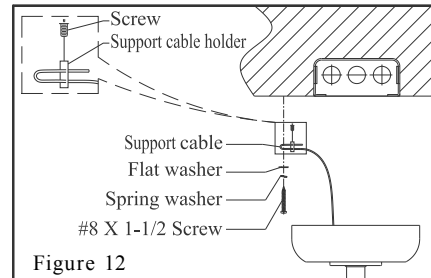




Step 4. Once the connection has been made, the receiver inserts into the down rod hanging bracket. The canopy comes up to cover the receiver and bracket. (Fig. 11)



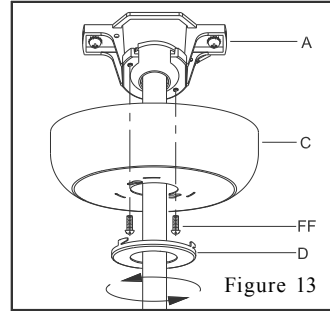
An additional safety support is provided to prevent the fan from falling. Secure the Support cable to the ceiling joist with screw and washer. Screw and Support cable holder lock the fixed Support cable. (Fig. 12)



### Installing the canopy:

Step 1. Align the locking slots of the canopy (C) with the two screws (FF) in the mounting bracket (A). Push up to engage the slots and to lock in place. (Fig. 13)

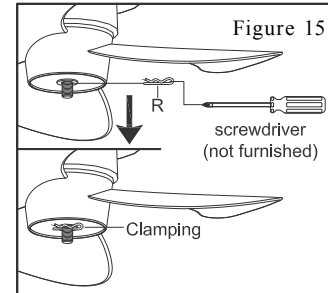
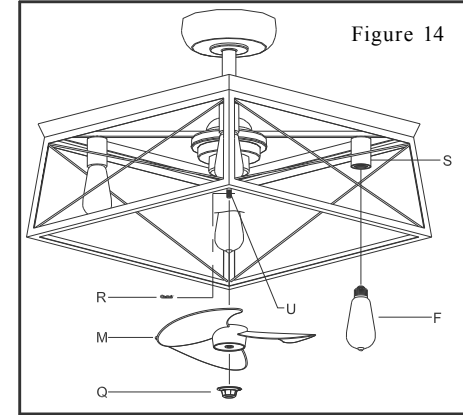
Step 2. Rotate the metal cover (D) clockwise to lock in the bottom of the canopy. (Fig. 13)



### Installing the Fan blades and bulbs:

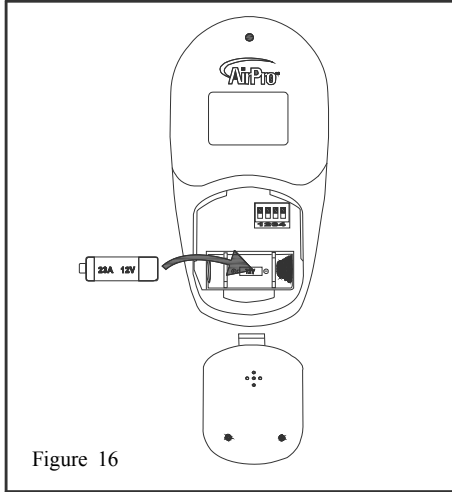
Step 1: Install the fan blades (M) onto the fan motor shaft (U), Put the R-shaped pin (R) into the motor shaft (U) to lock with a screwdriver or pliers. (Fig. 15) Left handed thread on the lock nut (Q). Install lock nut (Q) onto the motor shaft (U) after the fan blades (M) is installed. (Fig. 14)

Step 2. Screw light bulbs (F) into the fixture Sockets(S). (Fig. 14)



## Installing the battery

Install 12V A23 battery (included),  
To prevent damage to transmitter, remove the battery  
if not used for long periods.(Fig. 16)



Restore power to ceiling fan and test for proper operation.

1. "○,○○,○○○,"buttons:

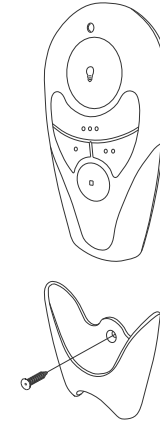
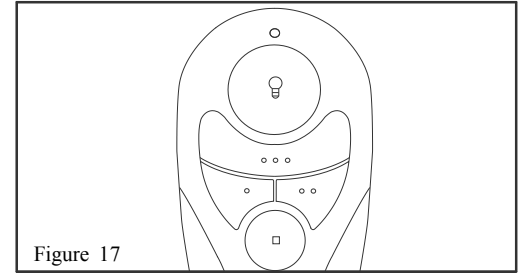
These three buttons are used to set the fan speed as follows (Fig. 17):

- = Low speed
- = Medium speed
- = High speed

2. "□" button:

This button turns the fan off.

3. The "💡" button turns the light ON or OFF and also controls the brightness setting. Press and release the button to turn the light ON or OFF. Press and hold the button to set the desired brightness. The light key has an auto-resume, it will stay at the same brightness as the last time it was turned off.



Installation of Transmitter Wall  
Mount Holder with one screw.

## 7. Operating Your Transmitter

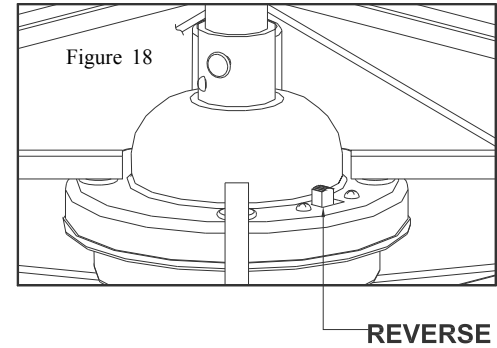
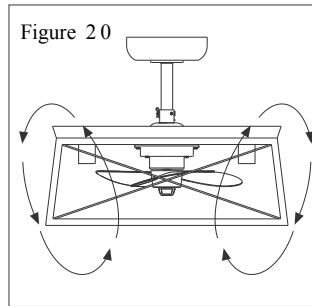
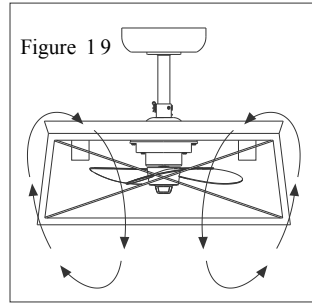
The Reverse switch is located on the top of the motor housing. Slide the switch to the Left for warm weather operation. Slide the switch to the Right for cool weather operation. (Fig. 18)

NOTE: Wait for fan to stop before changing the setting of the slide switch.

Speed settings for warm or cool weather depend on factors such as the room size, ceiling height, number of fans, etc.

Warm weather - (Forward) A downward air flow creates a cooling effect as shown in Figure 19. This allows you to set your air conditioner on a higher setting without affecting your comfort.

Cool weather - (Reverse) An upward airflow moves warm air off the ceiling area as shown in Figure 20. This allows you to set your heating unit on a lower setting without affecting your comfort.



Here are some suggestions to help you maintain your fan

1. Because of the fan's natural movement, some connections may become loose. Check the support connections, brackets, and blade attachments twice a year. Make sure they are secure. (It is not necessary to remove fan from ceiling.)

2. Clean your fan periodically to help maintain its new appearance over the years. Use only a soft brush or lint-free cloth to avoid scratching the finish. The plating is sealed with a lacquer to minimize discoloration or tarnishing. Do not use water when cleaning. This could damage the motor or possibly cause an electrical shock.

3. Cover small scratches with a light application of shoe polish.

4. There is no need to oil your fan. The motor has permanently lubricated bearings.

5. The fan comes with a pre-assembled blade and front guard for your easy installation. Check that all screws are tight and securely in place.

6. Use a lint free lightly damp cloth or duster to remove dust from the blades.

IMPORTANT  
MAKE SURE THE POWER IS OFF AT THE  
ELECTRICAL PANEL BOX BEFORE YOU  
ATTEMPT ANY REPAIRS. REFER TO THE  
SECTION "MAKING ELECTRICAL  
CONNECTIONS"

## 9. Care of Your Fan

## Problem

## Solution

Fan will not start.

1. Check circuit fuses or breakers.
2. Check line wire connections to the fan and switch wire connections in the switch housing.  
CAUTION: Make sure main power is off.
3. Check to make sure the dip switches from the transmitter and receiver are set to the same frequency.
4. Check the battery in the transmitter.

Fan sounds noisy.

1. Make sure all motor housing screws are snug.
2. Make sure wire nut connections are not rubbing against each other or the interior wall of the switch housing.  
CAUTION: Make sure main power is off.
3. Allow a 24-hour "breaking-in" period. Most noise associated with a new fan disappear during this time.
4. Check that light bulb is also secure.
5. Some fan motors are sensitive to signals from solid-state variable speed controls. If you have installed this type of control, choose and install another type of control.
6. Make sure the upper canopy is a short distance from the ceiling. It should not touch the ceiling.

Remote control  
malfunction

1. Do not connect the fan with wall mounted variable speed control (s).
2. Make sure the dip switches are set correctly.

# Troubleshooting 10.

Size	Speed	Volts	Fan Power Consumption (without lights) WATT	Airflow CFM	Airflow Efficiency (Higher Is Better) CFM/WATT	Net Weight	Gross Weight	Cubic Feet
14in.	Low	120	22.20	910.92	41.00	12.76 lb (5.79kg)	18.06 lb (8.2kg)	5.165cu. Ft.
	Medium		30.13	1131.12	37.62			
	High		37.81	1351.49	35.75			

These are approximate measures. They do not include Amps and Wattage used by the light kit.

## 11. Specifications



### Questions?

Call our Customer Care Team at 1-855-303-4229

urban ambiance

[www.urbanambiance.com](http://www.urbanambiance.com)